

C-VIGIL Ltd : marine (CVM)

---

Marine Safety & Security Systems

# GUARDIAN SYSTEMS

Portable Wireless Worker Protection

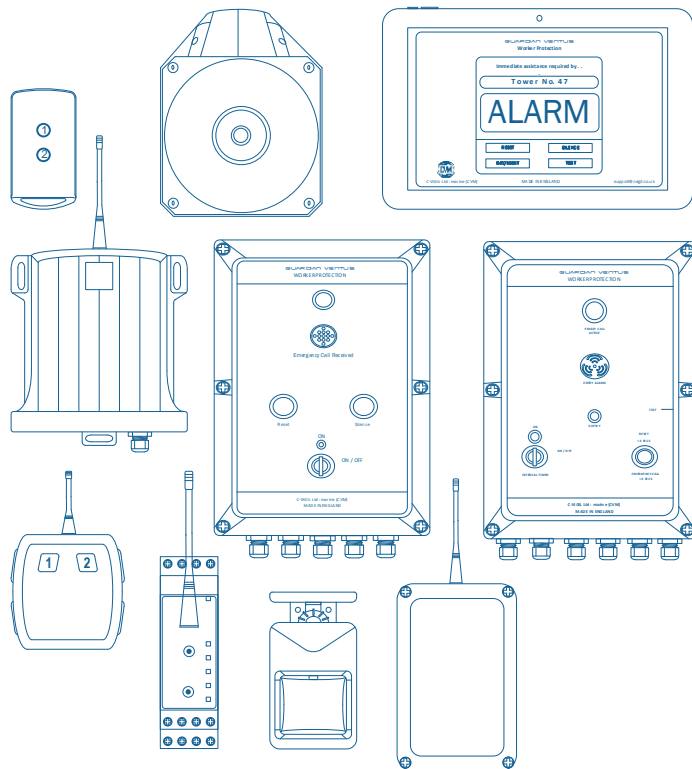
guardianVENTUS

Wind Turbines

GUARDIAN VENTUS

---

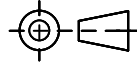
# Technical Drawings & Schematics



C-VIGIL Ltd : marine (CVM)  
'The Barn', Bryntirion Road  
Bagillt, Flintshire  
CH6 6DS, UK  
+44 (0)1244 279 879  
support@cvigil.co.uk :- www.cvigil.co.uk

PROJECT

PROJECTION:



# GUARDIAN VENTUS

# TECHNICAL DRAWINGS



THESE DRAWINGS AND SPECIFICATIONS ARE THE PROPERTY OF C-VIGIL LTD AND SHALL NOT BE REPRODUCED, COPIED OR USED AS THE BASIS FOR THE MANUFACTURE OR SALE OF EQUIPMENT WITHOUT EXPLICIT WRITTEN PERMISSION

SCALE:

TITLE:

DWG No:

REVISION:

VERSION:

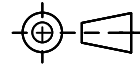
**C-VIGIL Ltd : marine (CVM)**

DATE:

SHEET No:

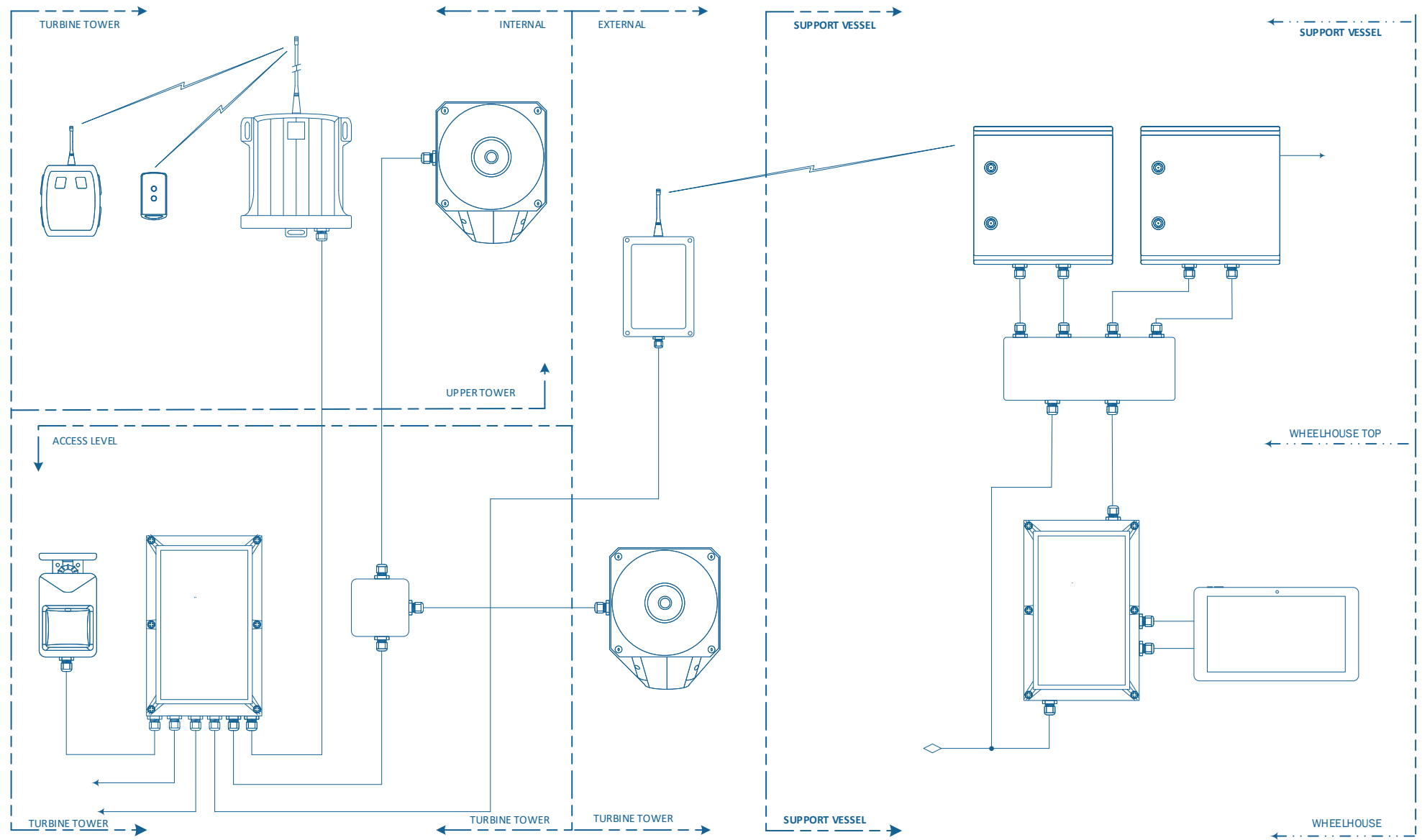
DRAWN BY:

[www.cvigil.co.uk](http://www.cvigil.co.uk) | [support@cvigil.co.uk](mailto:support@cvigil.co.uk) | +44 (0)1244 879 279



## Technical Drawing Index

DWG Name / No.	Page No.	Title
-:-	3 of 29	System Overview
-:-	4 of 29	TURBINE TOWER DRAWINGS
DWG-01a	5 of 29	T/T - Overview
DWG-02a	6 of 29	T/T - MCU Wiring
DWG-03a	7 of 29	T/T - MCU TB1
DWG-04a	8 of 29	T/T - MCU PLC Modules
DWG-05a	9 of 29	T/T - MCU
DWG-06a	10 of 29	T/T - Entry PIR
DWG-07a	11 of 29	T/T - Portable Wx Reset / Call Receiver
DWG-08a	12 of 29	T/T - Wx Portable Reset / Call Tx Unit (Large)
DWG-09a	13 of 29	T/T - Wx Portable Reset / Call Tx Unit (Small)
DWG10a	14 of 29	T/T - Local Alarm Sounder / Beacons
DWG-11a	15 of 29	T/T - Emgy Call Tx Unit
DWG-12a	16 of 29	T/T - Local Alarm J/B
-:-	17 of 29	SUPPORT VESSEL
DWG-01b	18 of 29	S/V - Overview
DWG-02b	19 of 29	S/V - MCU Wiring
DWG-03b	20 of 29	S/V - MCU TB1
DWG-04b	21 of 29	S/V - MCU PLC Module
DWG-05b	22 of 29	S/V - MCU
DWG-06b	23 of 29	S/V - Receiver Cluster Wiring
DWG-07b	24 of 29	S/V - Receiver Cluster(s)
DWG-08b	25 of 29	S/V - 4Ch Receiver / Relay Unit
DWG-09b	26 of 29	S/V - Receiver Cluster Connex Unit Wiring
DWG-10b	27 of 29	S/V - Receiver Cluster Connex Unit
DWG-11b	28 of 29	S/V - Receiver Cluster Connex Unit Ethernet Hub
DWG-12b	29 of 29	S/V - Emgy Call Display Tablet PC



THESE DRAWINGS AND SPECIFICATIONS ARE THE PROPERTY OF C-VIGIL LTD AND SHALL NOT BE REPRODUCED, COPIED OR USED AS THE BASIS FOR THE MANUFACTURE OR SALE OF EQUIPMENT WITHOUT EXPLICIT WRITTEN PERMISSION

SCALE:  
NOT TO SCALE

VERSION:  
VER.1.0.1

TITLE:

SYSTEM OVERVIEW

C-VIGIL Ltd : marine (CVM)

www.cvigil.co.uk | support@cvigil.co.uk | +44 (0)1244 879 279

DWG No:

DATE:  
Mar-21

REVISION:  
A

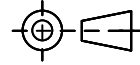
SHEET No:  
3 of 29

DRAWN BY:  
SS

PROJECT

VENTUS – WIRELESS EMERGENCY CALLING

PROJECTION:



# TURBINE TOWER

## TECHNICAL DRAWINGS



THESE DRAWINGS AND SPECIFICATIONS ARE THE PROPERTY OF C-VIGIL LTD AND SHALL NOT BE REPRODUCED, COPIED OR USED AS THE BASIS FOR THE MANUFACTURE OR SALE OF EQUIPMENT WITHOUT EXPLICIT WRITTEN PERMISSION

SCALE:  
NOT TO SCALE

VERSION:  
VER.1.0.1

TITLE:  
TURBINE TOWER – TECHNICAL DRAWINGS

C-VIGIL Ltd : marine (CVM)  
www.cvigil.co.uk | support@cvigil.co.uk | +44 (0)1244 879 279

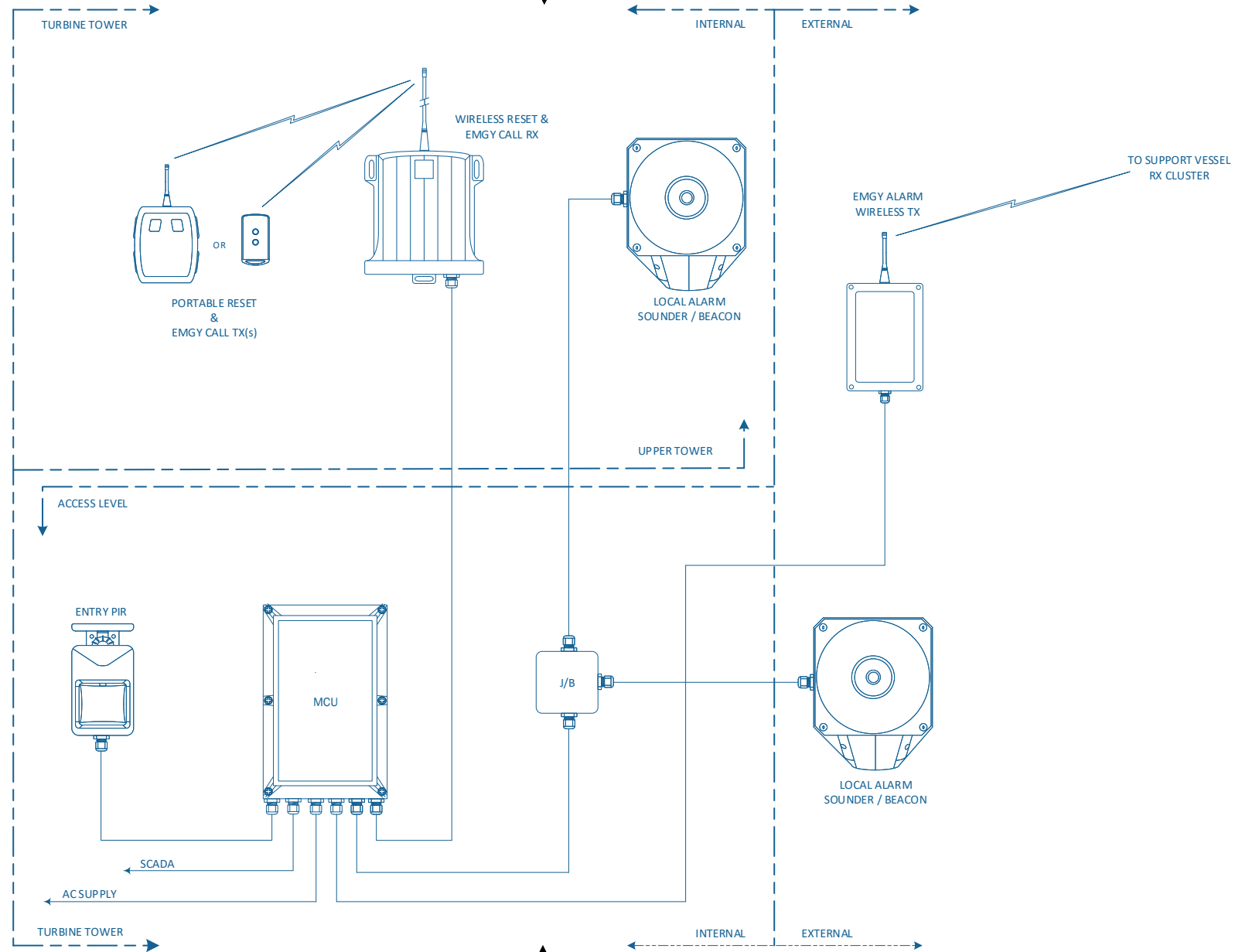
DWG No:

DATE:  
Mar-21

REVISION:  
A

SHEET No:  
4 of 29

DRAWN BY:  
SS



THESE DRAWINGS AND SPECIFICATIONS ARE THE PROPERTY OF C-VIGIL LTD AND SHALL NOT BE REPRODUCED, COPIED OR USED AS THE BASIS FOR THE MANUFACTURE OR SALE OF EQUIPMENT WITHOUT EXPLICIT WRITTEN PERMISSION

SCALE:  
NOT TO SCALE

VERSION:  
VER.1.0.1

TITLE:

T/T - OVERVIEW

C-VIGIL Ltd : marine (CVM)

www.cvigil.co.uk | support@cvigil.co.uk | +44 (0)1244 879 279

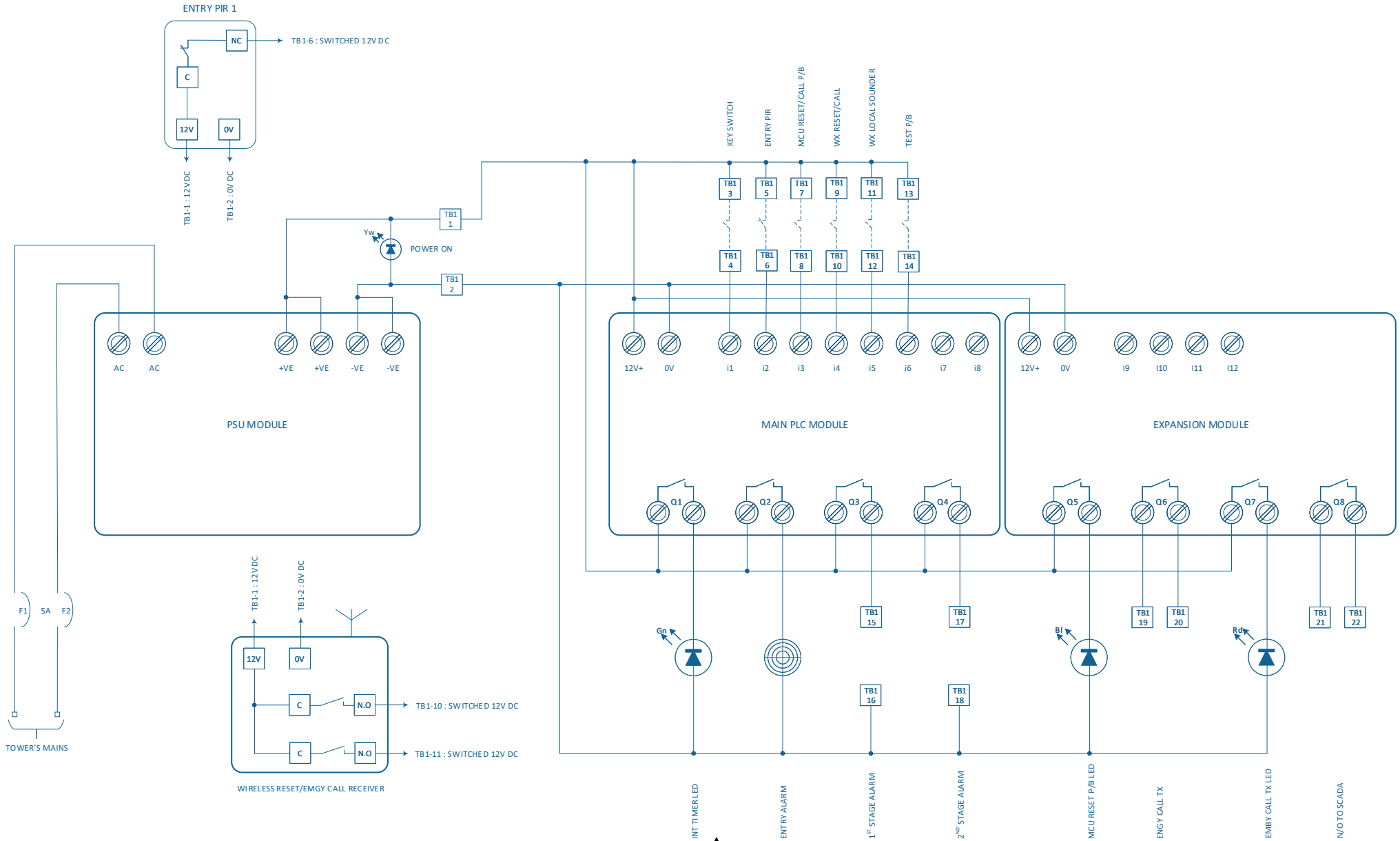
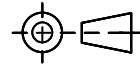
DWG No:  
DWG-01a

DATE:  
Mar-21

SHEET No:  
5 of 29

REVISION:  
A

DRAWN BY:  
SS



THESE DRAWINGS AND SPECIFICATIONS ARE THE PROPERTY OF C-VIGIL LTD AND SHALL NOT BE REPRODUCED, COPIED OR USED AS THE BASIS FOR THE MANUFACTURE OR SALE OF EQUIPMENT WITHOUT EXPLICIT WRITTEN PERMISSION

SCALE:  
NOT TO SCALE

VERSION:  
VER.1.0.1

TITLE:

T/T - MCU WIRING

C-VIGIL Ltd : marine (CVM)

www.cvigil.co.uk | support@cvigil.co.uk | +44 (0)1244 879 279

DWG No:  
DWG-02a

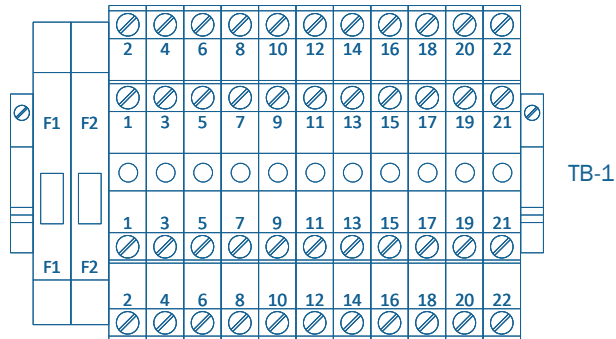
DATE:  
Mar-21



SHEET No:  
6 of 29

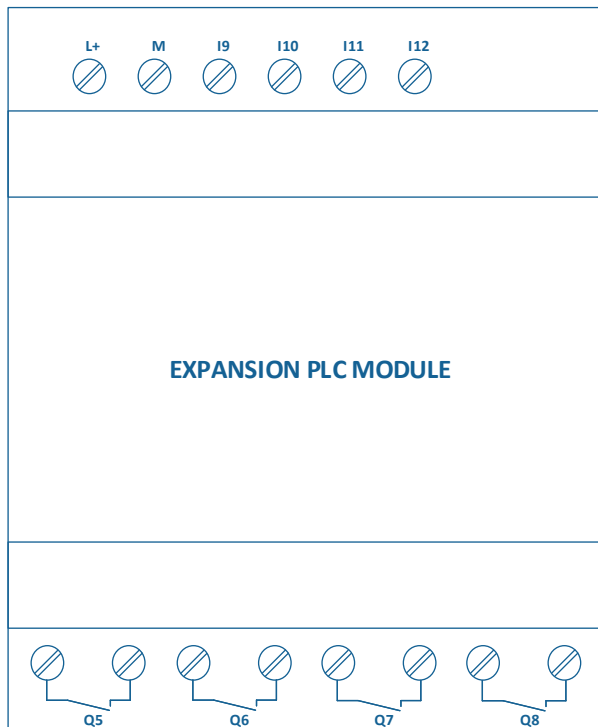
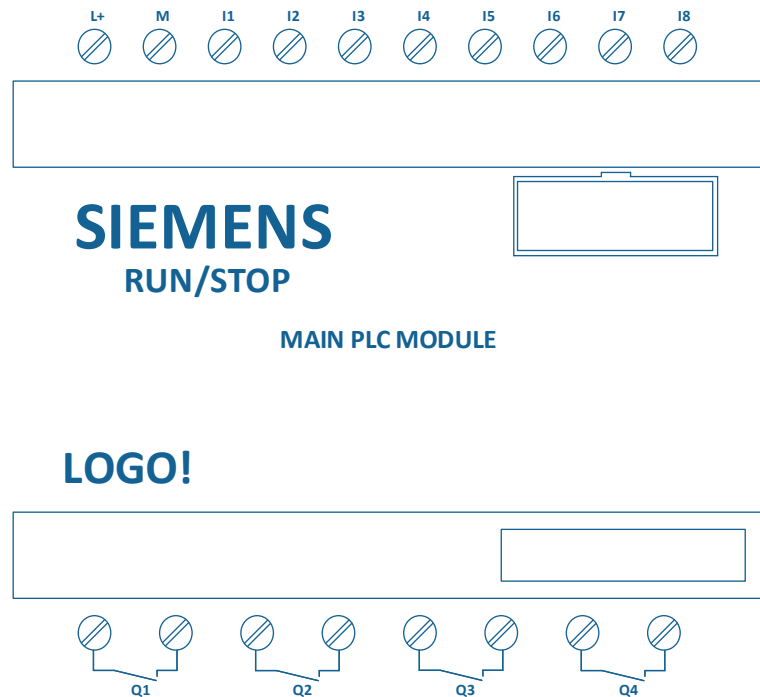
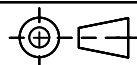
REVISION:  
A

DRAWN BY:  
SS





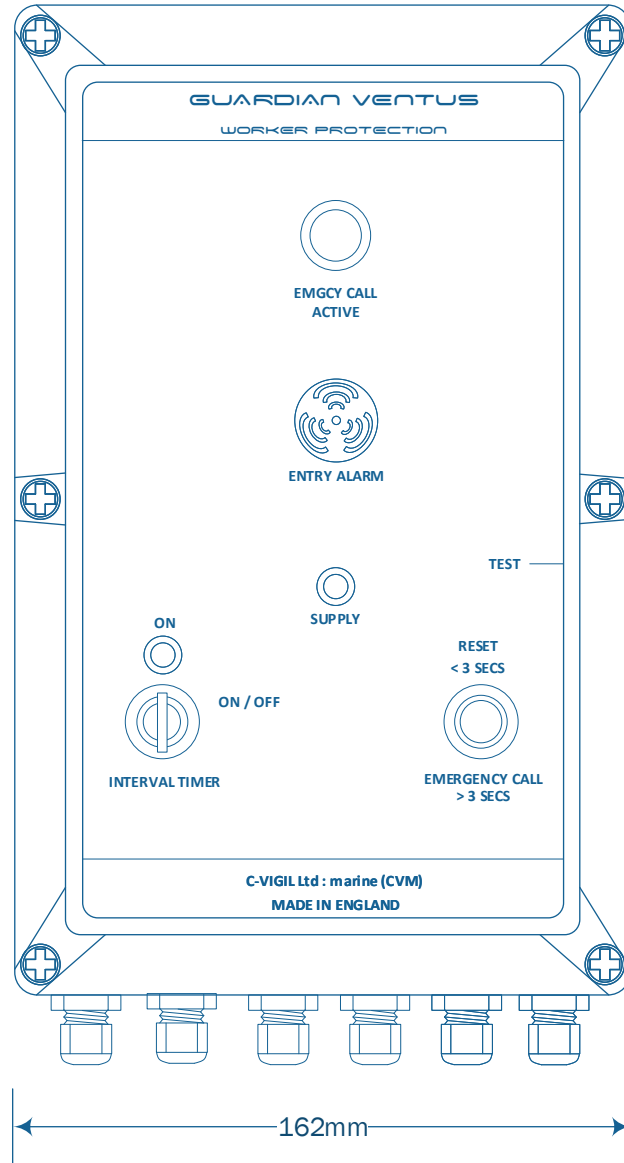
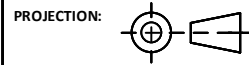
F1		MAINS SUPPLY – 5A FUSE
F2		MAINS SUPPLY – 5A FUSE
UPPER	LOWER	DESCRIPTION
1		12V+ TO ENTRY PIR   WX RESET/CALL RECEIVERS
	2	0V TO ENTRY PIR   WX RESET/CALL RECEIVERS
3		12V+ TO KEY SWITCH
	4	SWITCHED 12V+ FROM KEY SWITCH
5		12V+
	6	SWITCHED 12V+ FROM ENTRY PIR
7		12V+ TO MCU RESET/CALL P/B
	8	SWITCHED 12V+ FROM MCU RESET/CALL P/B
9		12V+
	10	SWITCHED 12V+ FROM WX RESET/CALL
11		12V+
	12	SWITCHED 12V+ WX RESET/CALL – SOUNDER ON
13		12V+ TO TEST P/B
	14	SWITCHED 12V+ FROM TEST P/B
15		SWITCHED 12V+ TO LOCAL ALARM 1 <sup>ST</sup> STAGE
	16	0V TO ALARM 1 <sup>ST</sup> STAGE
17		SWITCHED 12V+ TO LOCAL ALARM 2 <sup>ND</sup> STAGE
	18	0V TO LOCAL ALARM 2 <sup>ND</sup> STAGE
19		N/O CLOSING CONTACT TO EMGY CALL TX UNIT
	20	N/O CLOSING CONTACT TO EMGY CALL TX UNIT
21		N/O CLOSING CONTACT TO SCADA
	22	N/O CLOSING CONTACT TO SCADA



I/O TABLE	
MAIN PLC MODULE	
POWER SUPPLY	
L+	12V+ DC
M	0V
INPUTS	
i1	SWITCHED 12V+ FROM KEY SWITCH
i2	SWITCHED 12V+ FROM ENTRY PIR
i3	SWITCHED 12V+ FROM MCU RESET/CALL P/B
i4	SWITCHED 12V+ FROM WX RESET/CALL RX
i5	SWITCHED 12V+ WX SOUNDER ON
i6	TEST P/B
i7	NO CONNECTION
i8	NO CONNECTION
OUTPUTS	
Q1	SWITCHED 12V+ TO MCU TIMER LED
Q2	SWITCHED 12V+ TO ENTRY ALARM SOUNDER
Q3	SWITCHED 12V+ TO LOCAL ALARM 1 <sup>ST</sup> STAGE
Q4	SWITCHED 12V+ TO LOCAL ALARM 2 <sup>ND</sup> STAGE
EXPANSION PLC MODULE	
POWER SUPPLY	
L+	12V+ DC
M	0V
INPUTS	
I9	NO CONNECTION
I10	NO CONNECTION
I11	NO CONNECTION
I12	NO CONNECTION
OUTPUTS	
Q5	SWITCHED 12V+ TO MCU RESET/CALL P/B LED
Q6	CLOSING CONTACT TO EMGY CALL TX UNIT
Q7	SWITCHED 12V+ TO MCU EMGY CALL LED
Q8	CLOSING CONTACT TO SCADA

PROJECT

VENTUS - WIRELESS EMERGENCY CALLING



THESE DRAWINGS AND SPECIFICATIONS ARE THE PROPERTY OF C-VIGIL LTD AND SHALL NOT BE REPRODUCED, COPIED OR USED AS THE BASIS FOR THE MANUFACTURE OR SALE OF EQUIPMENT WITHOUT EXPLICIT WRITTEN PERMISSION

SCALE:  
NOT TO SCALE

VERSION:  
VER.1.0.1

TITLE:

T/T - MCU

C-VIGIL Ltd : marine (CVM)

www.cvigil.co.uk | support@cvigil.co.uk | +44 (0)1244 879 279

DWG No:  
DWG-05a

DATE:  
Mar-21

SHEET No:  
9 of 29

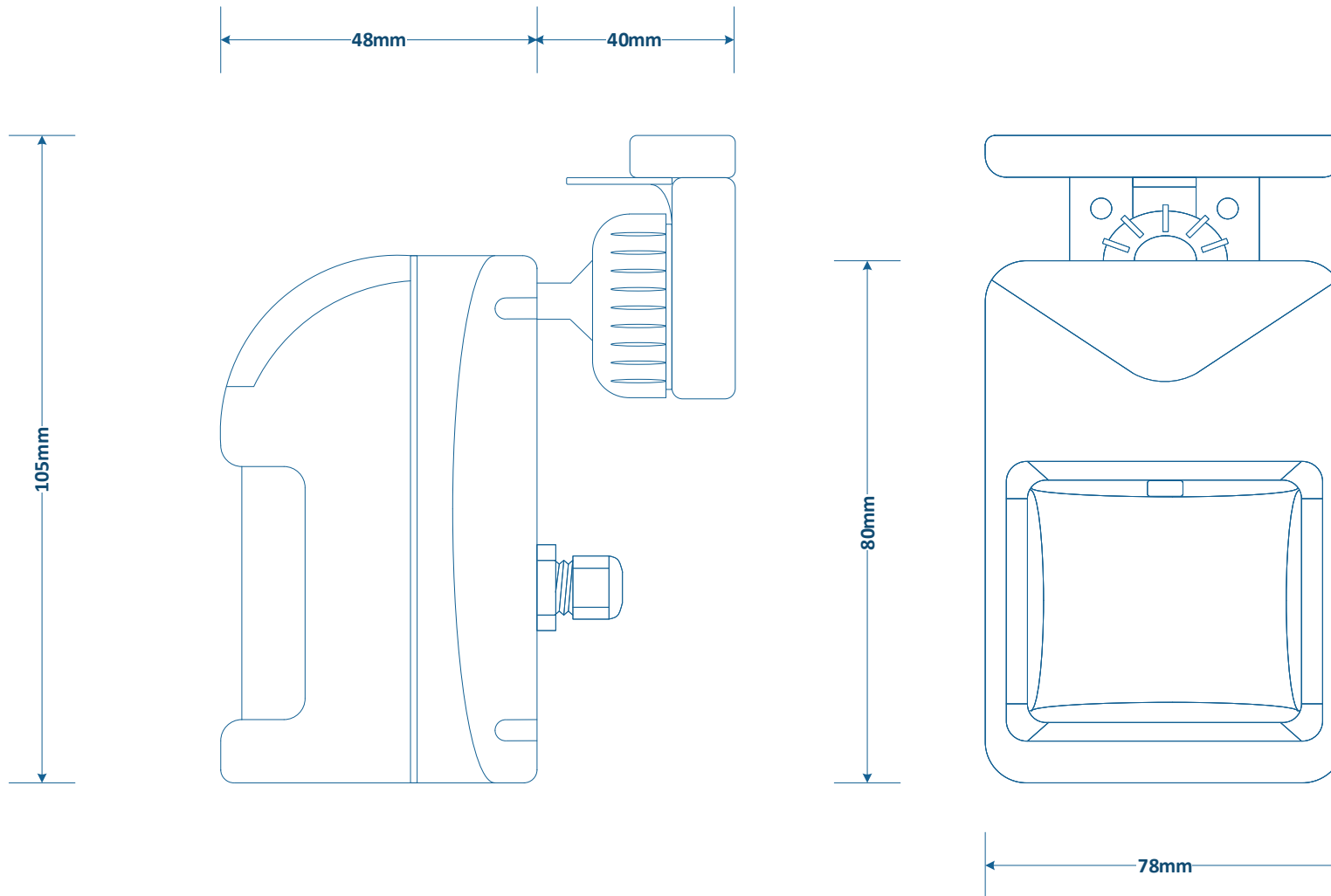
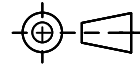
REVISION:  
A

DRAWN BY:  
SS

PROJECT

VENTUS - WIRELESS EMERGENCY CALLING

PROJECTION:



THESE DRAWINGS AND SPECIFICATIONS ARE THE PROPERTY OF C-VIGIL LTD AND SHALL NOT BE REPRODUCED, COPIED OR USED AS THE BASIS FOR THE MANUFACTURE OR SALE OF EQUIPMENT WITHOUT EXPLICIT WRITTEN PERMISSION

SCALE:  
NOT TO SCALE

VERSION:  
VER.1.0.1

TITLE:

T/T - ENTRY PIR

C-VIGIL Ltd : marine (CVM)

www.cvigil.co.uk | support@cvigil.co.uk | +44 (0)1244 879 279

DWG No:  
DWG-06a

DATE:  
Mar-21

SHEET No:  
10 of 29

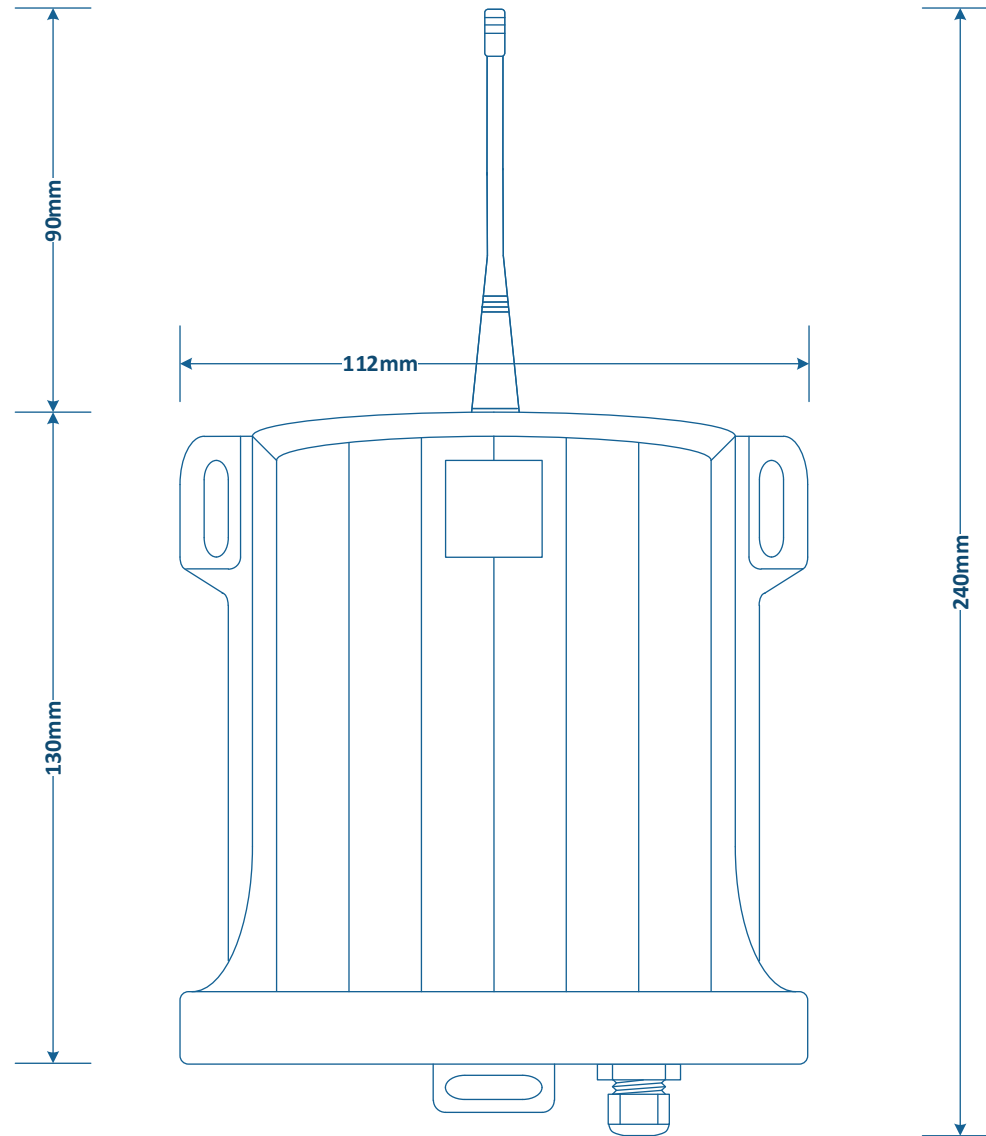
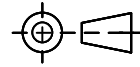
REVISION:  
A

DRAWN BY:  
SS

PROJECT

VENTUS – WIRELESS EMERGENCY CALLING

PROJECTION:



THESE DRAWINGS AND SPECIFICATIONS ARE THE PROPERTY OF C-VIGIL LTD AND SHALL NOT BE REPRODUCED, COPIED OR USED AS THE BASIS FOR THE MANUFACTURE OR SALE OF EQUIPMENT WITHOUT EXPLICIT WRITTEN PERMISSION

SCALE:  
NOT TO SCALE

VERSION:  
VER.1.0.1

TITLE:

T/T – PORTABLE WX RESET/CALL RECEIVER

C-VIGIL Ltd : marine (CVM)

www.cvigil.co.uk | support@cvigil.co.uk | +44 (0)1244 879 279

DWG No:  
DWG-07a

DATE:  
Mar-21

SHEET No:  
11 of 29

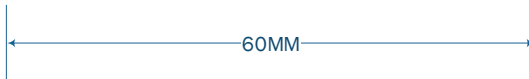
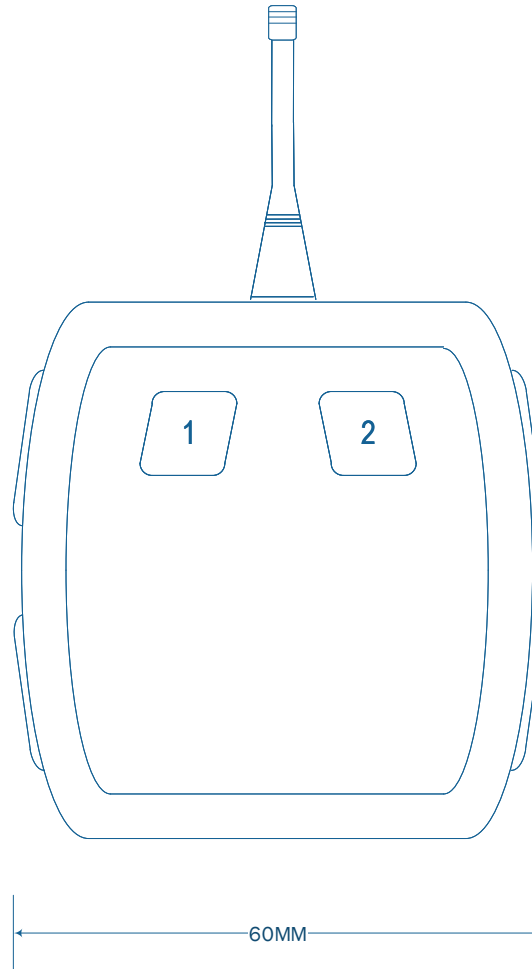
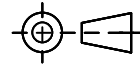
REVISION:  
A

DRAWN BY:  
SS

PROJECT

VENTUS – WIRELESS EMERGENCY CALLING

PROJECTION:



THESE DRAWINGS AND SPECIFICATIONS ARE THE PROPERTY OF C-VIGIL LTD AND SHALL NOT BE REPRODUCED, COPIED OR USED AS THE BASIS FOR THE MANUFACTURE OR SALE OF EQUIPMENT WITHOUT EXPLICIT WRITTEN PERMISSION

SCALE:  
NOT TO SCALE

VERSION:  
VER.1.0.1

TITLE:  
T/T – WX PORTABLE RESET / CALL TX UNIT (LARGE)

C-VIGIL Ltd : marine (CVM)  
www.cvigil.co.uk | support@cvigil.co.uk | +44 (0)1244 879 279

DWG No:  
DWG-08a

DATE:  
Mar-21

SHEET No:  
12 of 29

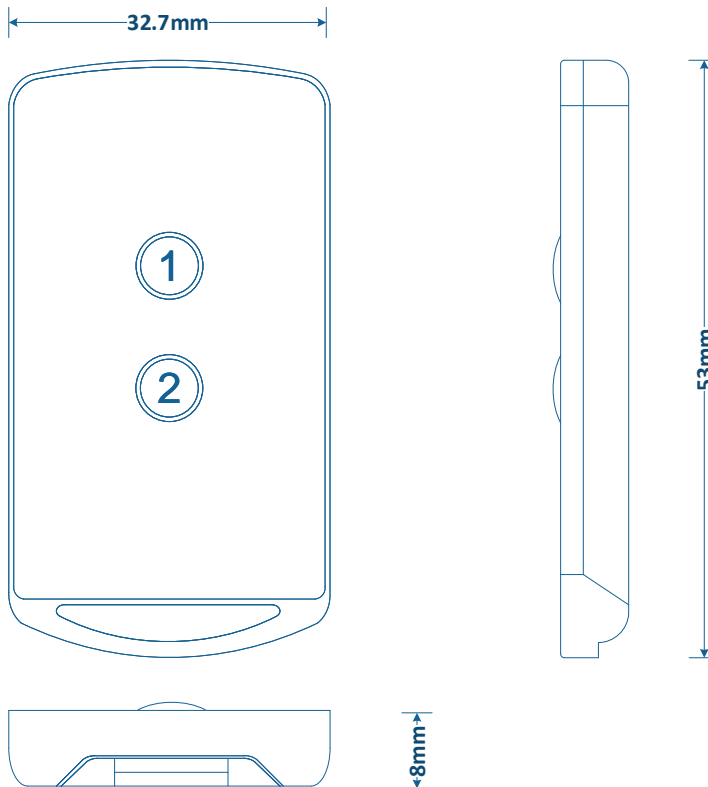
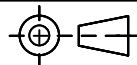
REVISION:  
A

DRAWN BY:  
SS

PROJECT

VENTUS – WIRELESS EMERGENCY CALLING

PROJECTION:



THESE DRAWINGS AND SPECIFICATIONS ARE THE PROPERTY OF C-VIGIL LTD AND SHALL NOT BE REPRODUCED, COPIED OR USED AS THE BASIS FOR THE MANUFACTURE OR SALE OF EQUIPMENT WITHOUT EXPLICIT WRITTEN PERMISSION

SCALE:  
NOT TO SCALE

VERSION:  
VER.1.0.1

TITLE:  
T/T – WX PORTABLE RESET / CALL TX UNIT (SMALL)

C-VIGIL Ltd : marine (CVM)  
www.cvigil.co.uk | support@cvigil.co.uk | +44 (0)1244 879 279

DWG No:  
DWG-09a

DATE:  
Mar-21

SHEET No:  
13 of 29

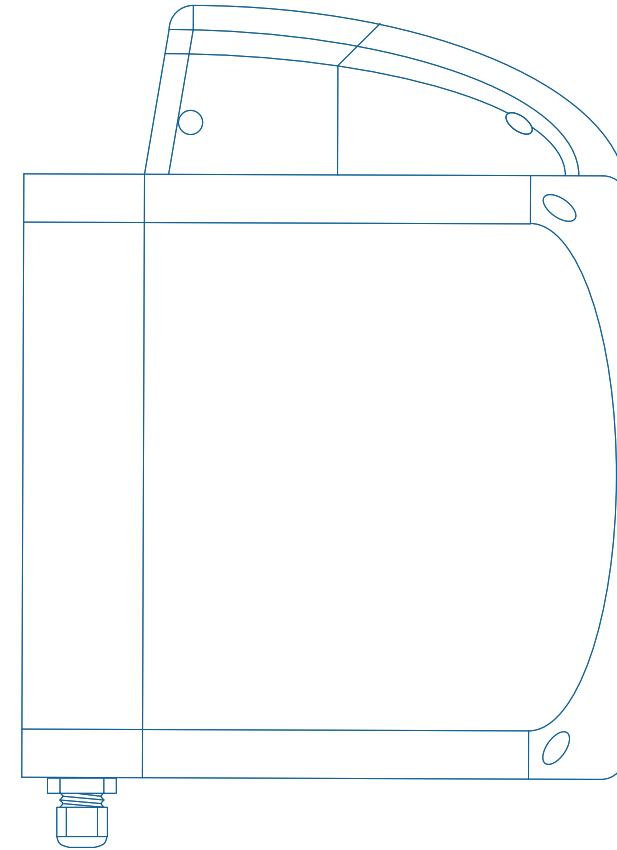
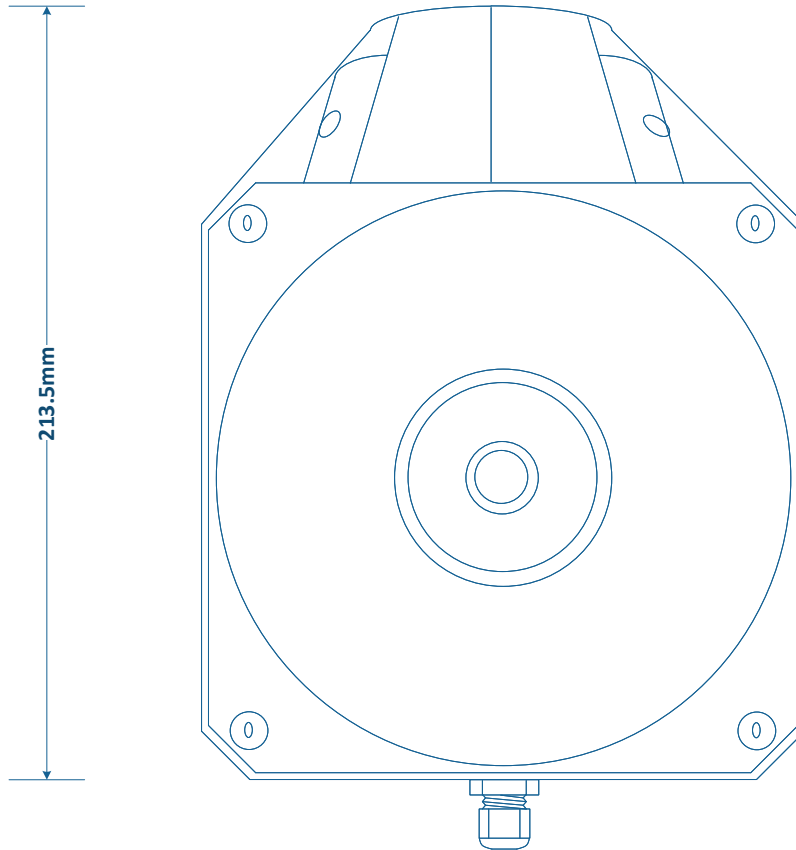
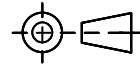
REVISION:  
A

DRAWN BY:  
SS

PROJECT

VENTUS - WIRELESS EMERGENCY CALLING

PROJECTION:



THESE DRAWINGS AND SPECIFICATIONS ARE THE PROPERTY OF C-VIGIL LTD AND SHALL NOT BE REPRODUCED, COPIED OR USED AS THE BASIS FOR THE MANUFACTURE OR SALE OF EQUIPMENT WITHOUT EXPLICIT WRITTEN PERMISSION

SCALE:  
NOT TO SCALE

VERSION:  
VER.1.0.1

TITLE:  
T/T – LOCAL ALARM SOUNDER / BEACONS

C-VIGIL Ltd : marine (CVM)  
www.cvigil.co.uk | support@cvigil.co.uk | +44 (0)1244 879 279

DWG No:  
DWG-10a

DATE:  
Mar-21

SHEET No:  
14 of 29

REVISION:  
A

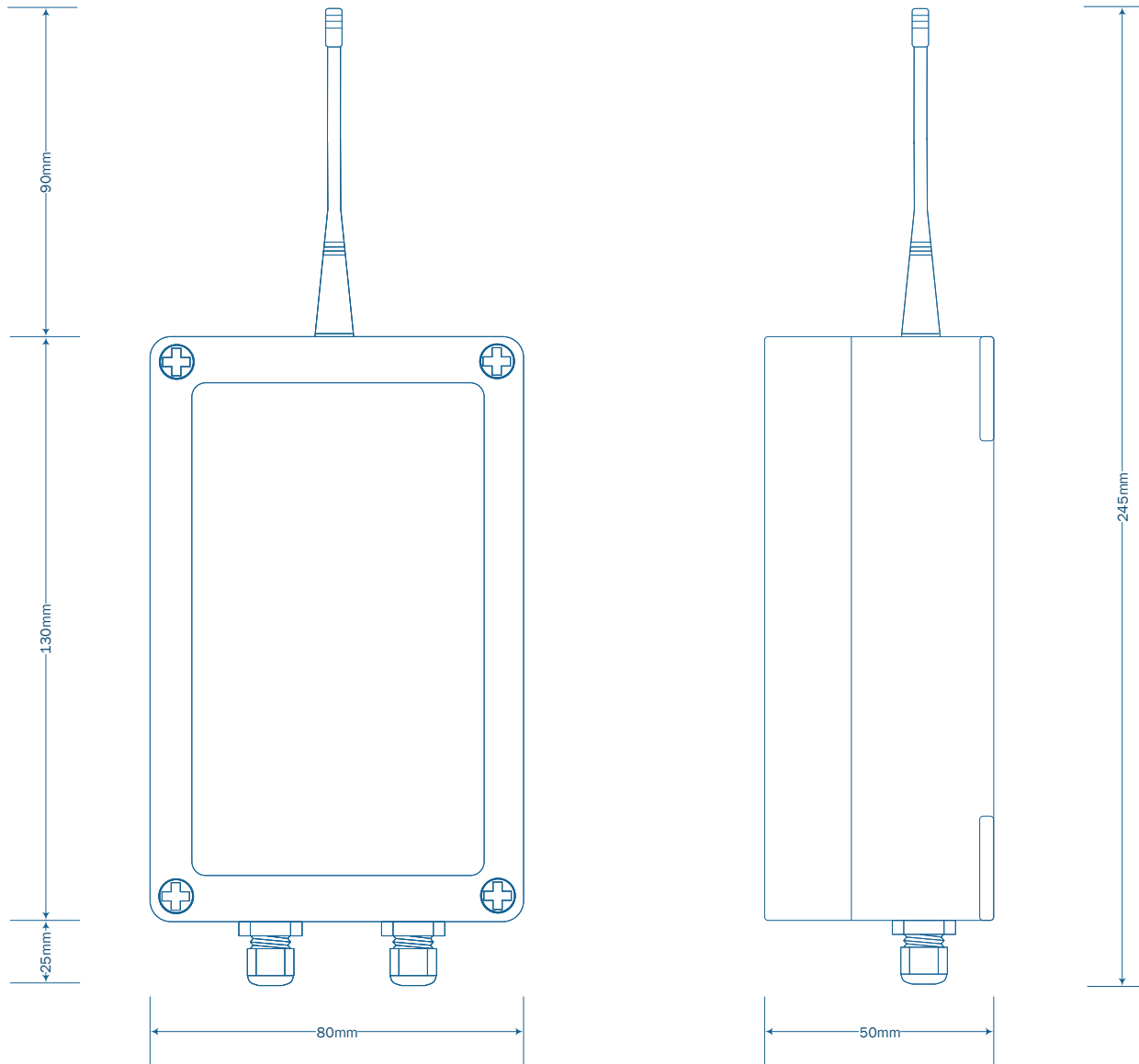
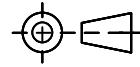
DRAWN BY:  
SS



PROJECT

VENTUS - WIRELESS EMERGENCY CALLING

PROJECTION:



THESE DRAWINGS AND SPECIFICATIONS ARE THE PROPERTY OF C-VIGIL LTD AND SHALL NOT BE REPRODUCED, COPIED OR USED AS THE BASIS FOR THE MANUFACTURE OR SALE OF EQUIPMENT WITHOUT EXPLICIT WRITTEN PERMISSION

SCALE:  
NOT TO SCALE

VERSION:  
VER.1.0.1

TITLE:

T/T - EMGY CALL TX UNIT

C-VIGIL Ltd : marine (CVM)

www.cvigil.co.uk | support@cvigil.co.uk | +44 (0)1244 879 279

DWG No:  
DWG-11a

DATE:  
Mar-21

SHEET No:  
15 of 29

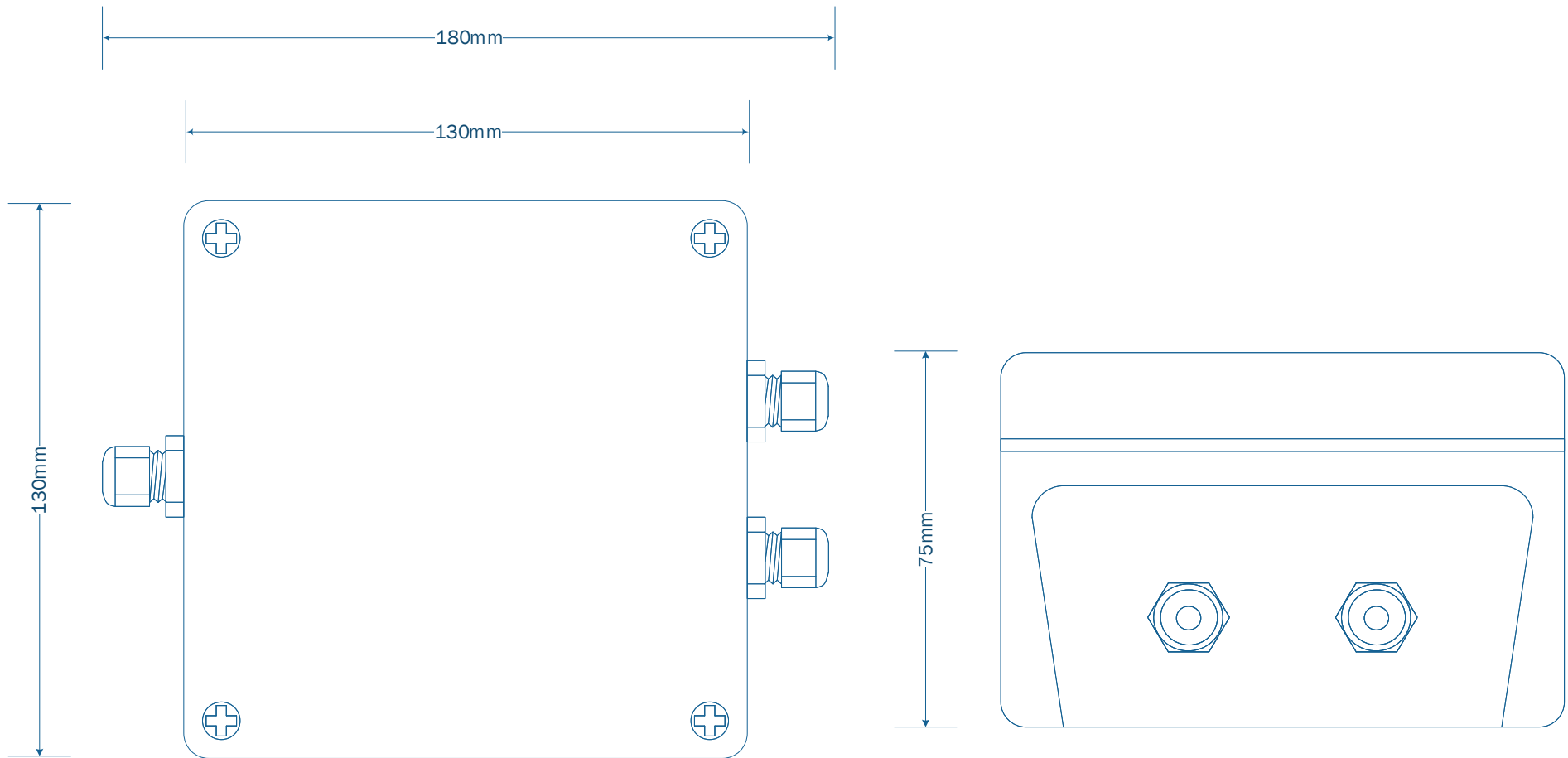
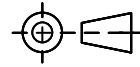
REVISION:  
A

DRAWN BY:  
SS

PROJECT

VENTUS - WIRELESS EMERGENCY CALLING

PROJECTION:



THESE DRAWINGS AND SPECIFICATIONS ARE THE PROPERTY OF C-VIGIL LTD AND SHALL NOT BE REPRODUCED, COPIED OR USED AS THE BASIS FOR THE MANUFACTURE OR SALE OF EQUIPMENT WITHOUT EXPLICIT WRITTEN PERMISSION

SCALE:  
NOT TO SCALE

VERSION:  
VER.1.0.1

TITLE:

T/T - LOCAL ALARM J/B

C-VIGIL Ltd : marine (CVM)

www.cvigil.co.uk | support@cvigil.co.uk | +44 (0)1244 879 279

DWG No:  
DWG-12a

DATE:  
Mar-21

SHEET No:  
16 of 29

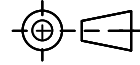
REVISION:  
A

DRAWN BY:  
SS

PROJECT

VENTUS – WIRELESS EMERGENCY CALLING

PROJECTION:



# SUPPORT VESSEL TECHNICAL DRAWINGS



THESE DRAWINGS AND SPECIFICATIONS ARE THE PROPERTY OF C-VIGIL LTD AND SHALL NOT BE REPRODUCED, COPIED OR USED AS THE BASIS FOR THE MANUFACTURE OR SALE OF EQUIPMENT WITHOUT EXPLICIT WRITTEN PERMISSION

SCALE:  
NOT TO SCALE

VERSION:  
VER.1.0.1

TITLE:  
SUPPORT VESSEL – TECHNICAL DRAWINGS

**C-VIGIL Ltd : marine (CVM)**  
www.cvigil.co.uk | support@cvigil.co.uk | +44 (0)1244 879 279

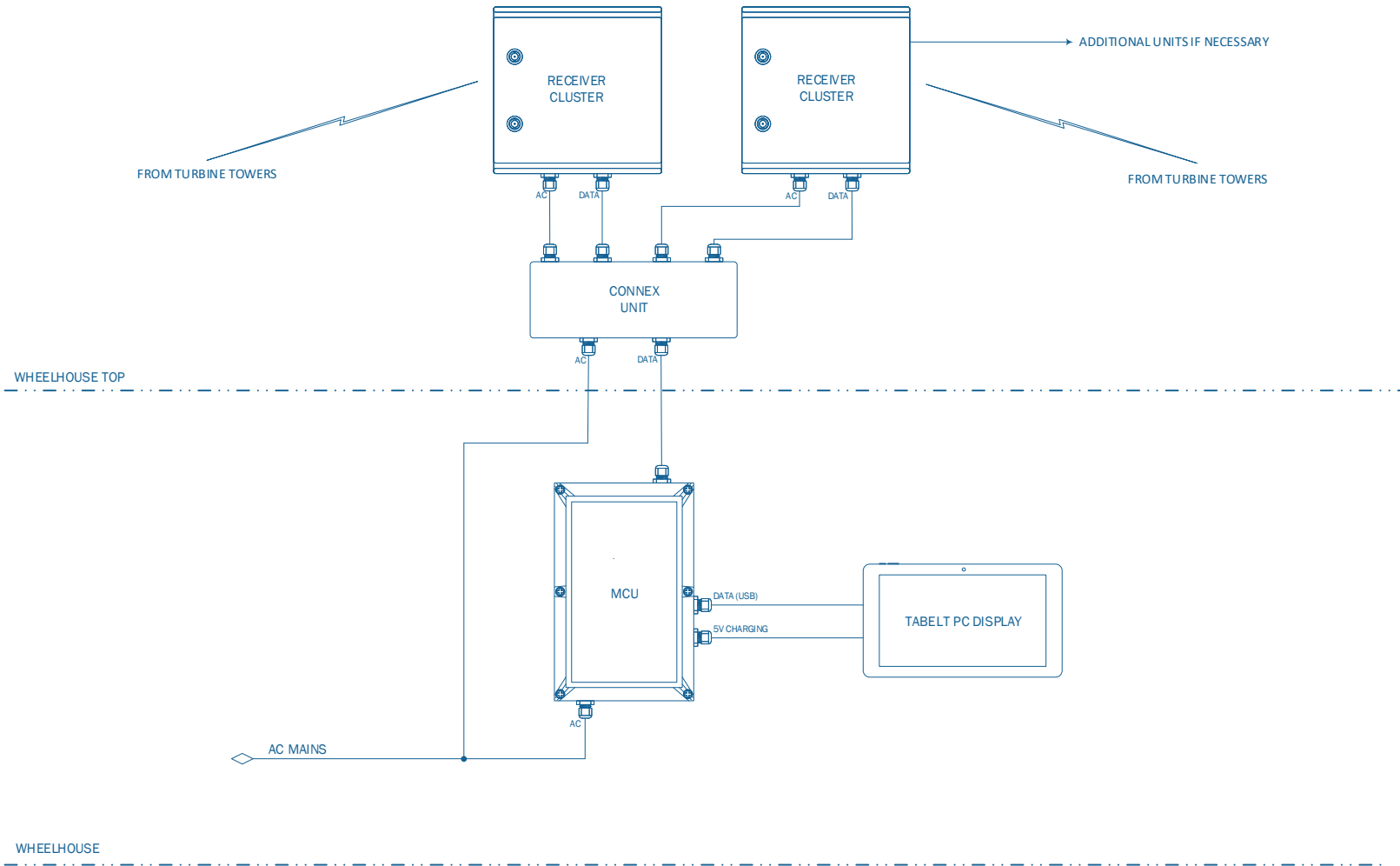
DWG No:

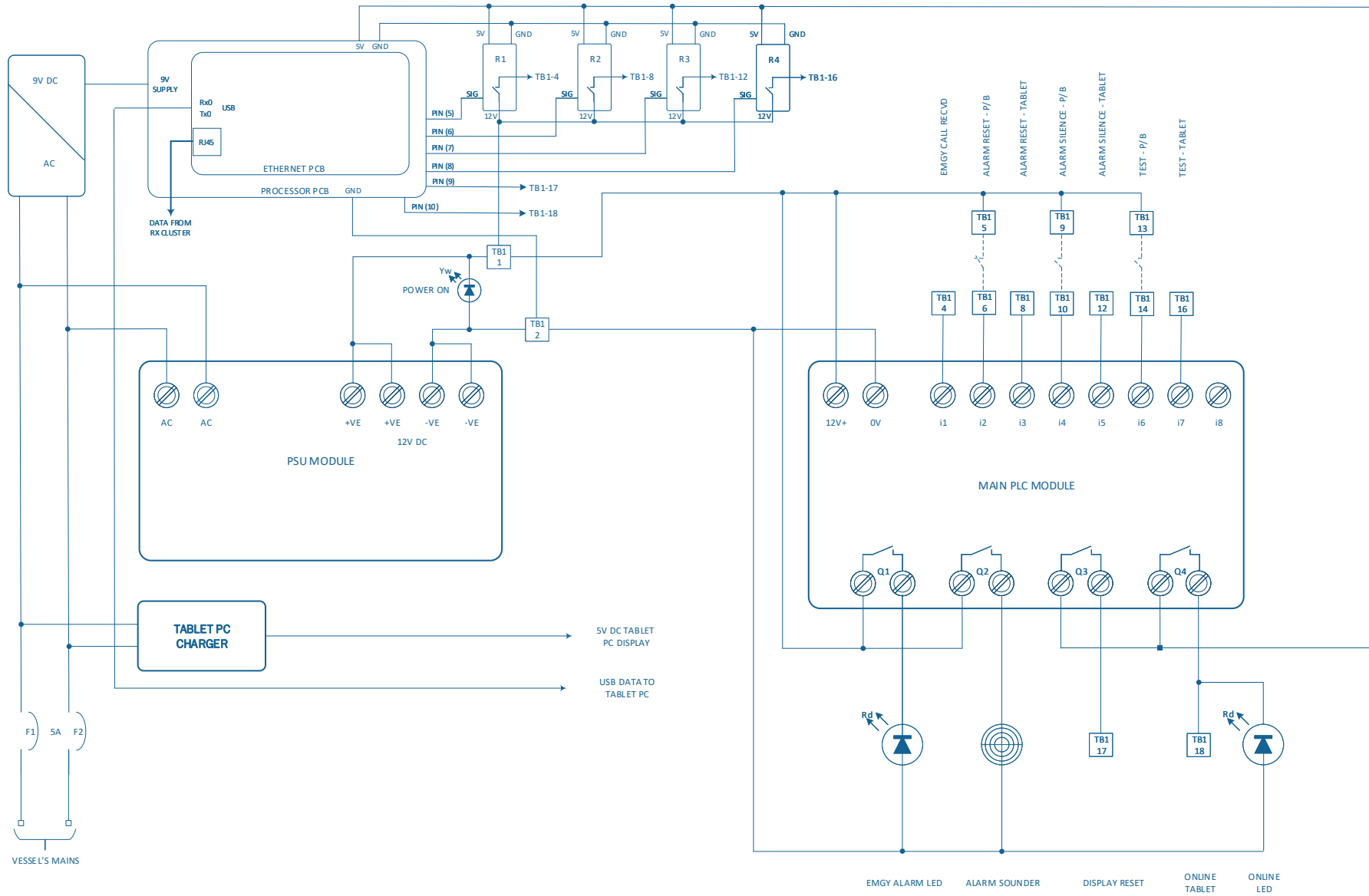
DATE:  
Mar-21

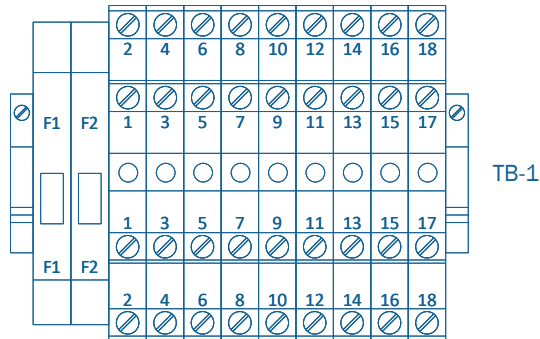
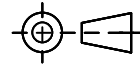
SHEET No:  
17 of 29

REVISION:  
A

DRAWN BY:  
SS







F1		MAINS SUPPLY – 5A FUSE
F2		MAINS SUPPLY – 5A FUSE
UPPER	LOWER	DESCRIPTION
1		12V+ TO PLC MODULE   COMMS PROCESSOR   SWITCHING RELAYS
	2	0V TO ENTRY PIR   WX RESET/CALL RECEIVERS
3		NO CONNECTION
	4	SWITCHED 12V+ FROM R1 (EMGY CALL RECVD)
5		12V+ TO EMGY CALL RESET - P/B
	6	SWITCHED 12V+ FROM EMGY CALL RESET - P/B
7		NO CONNECTION
	8	SWITCHED 12V+ FROM R2 (EMGY CALL RESET – TABLET)
9		12V+ TO ALARM SILENCE – P/B
	10	SWITCHED 12V+ FROM ALARM SILENCE - P/B
11		NO CONNECTION
	12	SWITCHED 12V+ FROM R3 (ALARM SILENCE – TABLET)
13		12V+ TO TEST - P/B
	14	SWITCHED 12V+ FROM TEST - P/B
15		NO CONNECTION
	16	SWITCHED 12V+ FROM R4 (TEST – TABLET)
17		SWITCHED 5V+ TO TABLET DISPLAY RESET



THESE DRAWINGS AND SPECIFICATIONS ARE THE PROPERTY OF C-VIGIL LTD AND SHALL NOT BE REPRODUCED, COPIED OR USED AS THE BASIS FOR THE MANUFACTURE OR SALE OF EQUIPMENT WITHOUT EXPLICIT WRITTEN PERMISSION

SCALE:  
NOT TO SCALE

TITLE:  
S/V – MCU TB1

DWG No:  
DWG-03b

REVISION:  
A

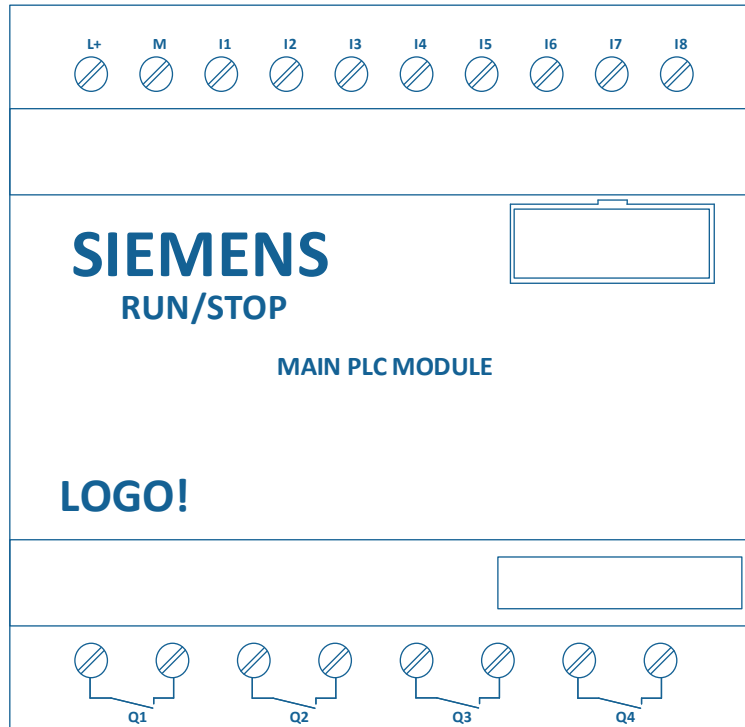
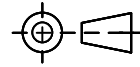
VERSION:  
VER.1.0.1

C-VIGIL Ltd : marine (CVM)  
www.cvigil.co.uk | support@cvigil.co.uk | +44 (0)1244 879 279

DATE:  
Mar-21

SHEET No:  
20 of 29

DRAWN BY:  
SS

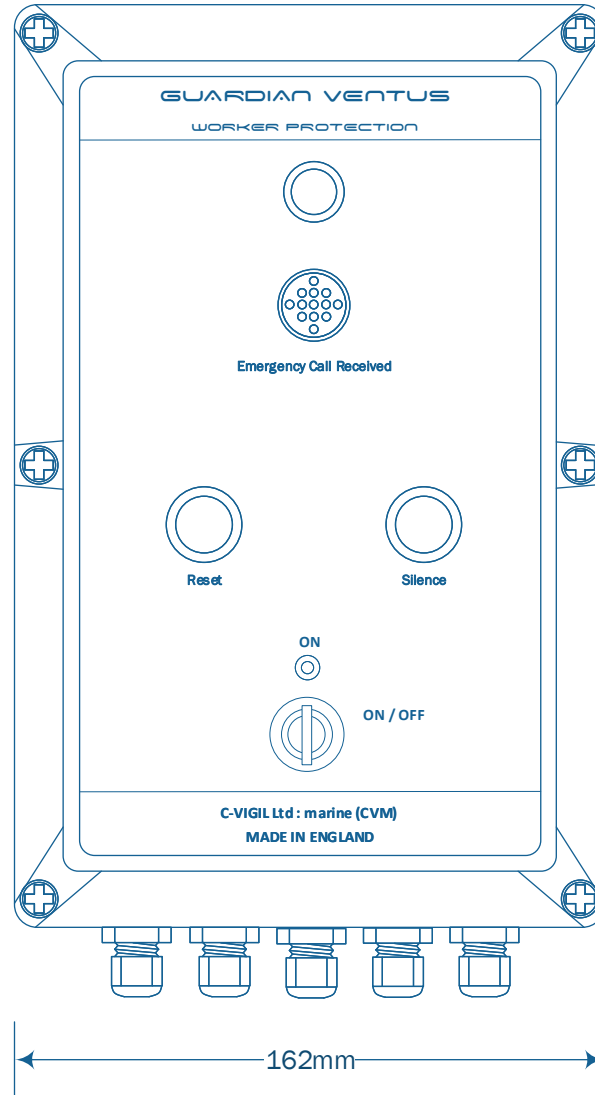
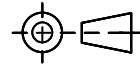


I/O TABLE	
MAIN PLC MODULE	
POWER SUPPLY	
L+	12V+ DC
M	0V
INPUTS	
i1	SWITCHED 12V+ EMGY CALL RECEIVED
i2	SWITCHED 12V+ FROM ALARM RESET - P/B
i3	SWITCHED 12V+ FROM ALARM RESET - TABLET
i4	SWITCHED 12V+ FROM ALARM SILENCE – P/B
i5	SWITCHED 12V+ FROM ALARM SILENCE – TABLET
i6	SWITCHED 12V+ FROM TEST – P/B
i7	SWITHED 12V+ FROM TEST - TABLET
i8	NO CONNECTION
OUTPUTS	
Q1	SWITCHED 12V+ TO EMGY ALARM RCVD LED
Q2	SWITCHED 12V+ TO EMGY ALARM RCVD SOUNDER
Q3	SWITCHED 5V+ TO TABLET DISPLAY RESET
Q4	NO CONNECTION

PROJECT

VENTUS - WIRELESS EMERGENCY CALLING

PROJECTION:



252mm

162mm



THESE DRAWINGS AND SPECIFICATIONS ARE THE PROPERTY OF C-VIGIL LTD AND SHALL NOT BE REPRODUCED, COPIED OR USED AS THE BASIS FOR THE MANUFACTURE OR SALE OF EQUIPMENT WITHOUT EXPLICIT WRITTEN PERMISSION

SCALE:  
NOT TO SCALE

VERSION:  
VER.1.0.1

TITLE:

S/V - MCU

C-VIGIL Ltd : marine (CVM)

www.cvigil.co.uk | support@cvigil.co.uk | +44 (0)1244 879 279

DWG No:  
DWG-05b

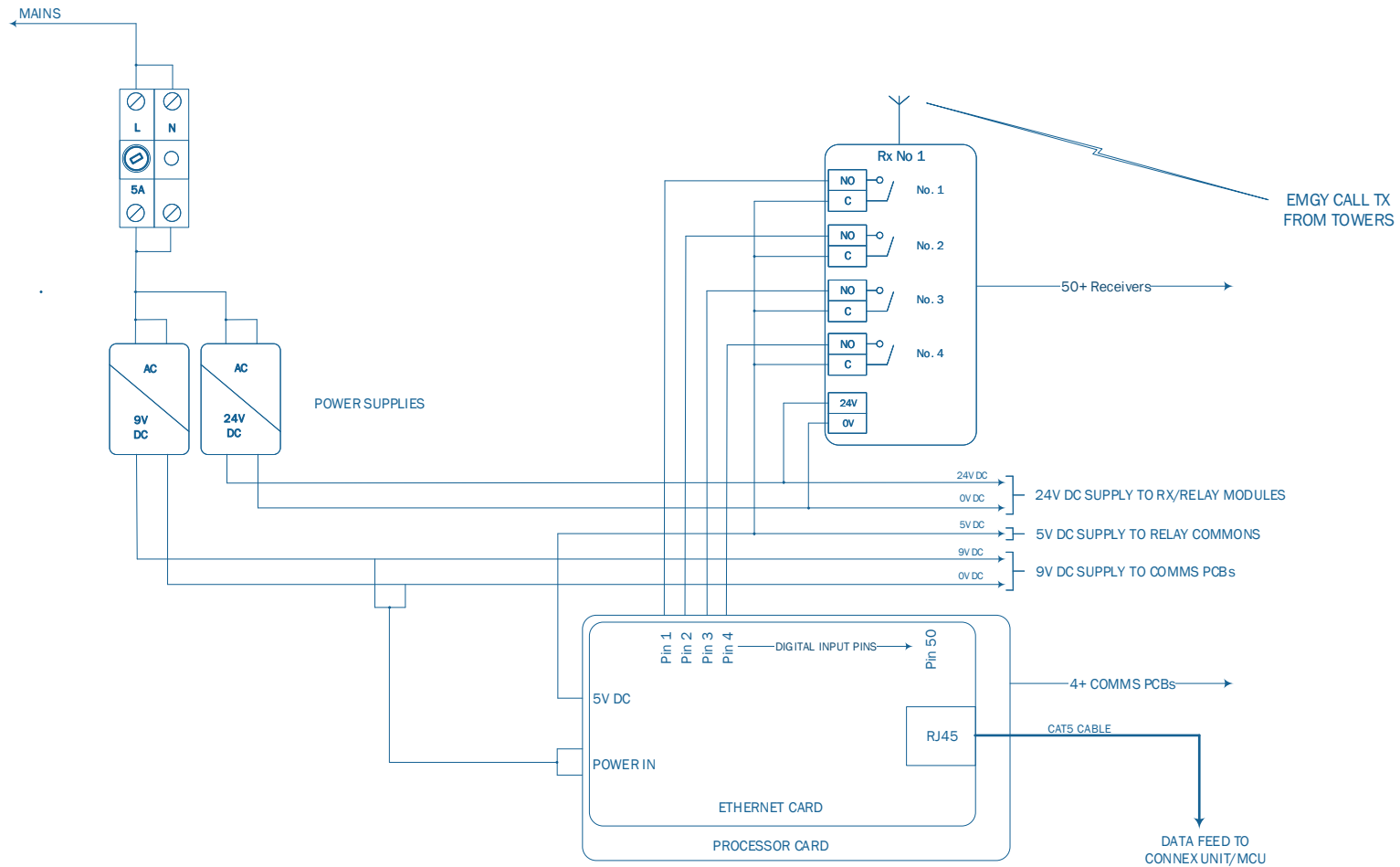
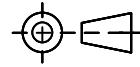
DATE:  
Mar-21

SHEET No:  
22 of 29

REVISION:  
A

DRAWN BY:  
SS

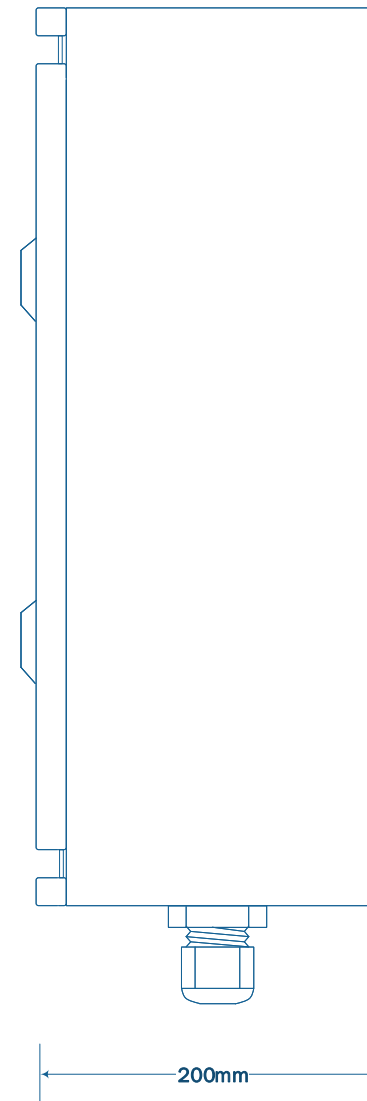
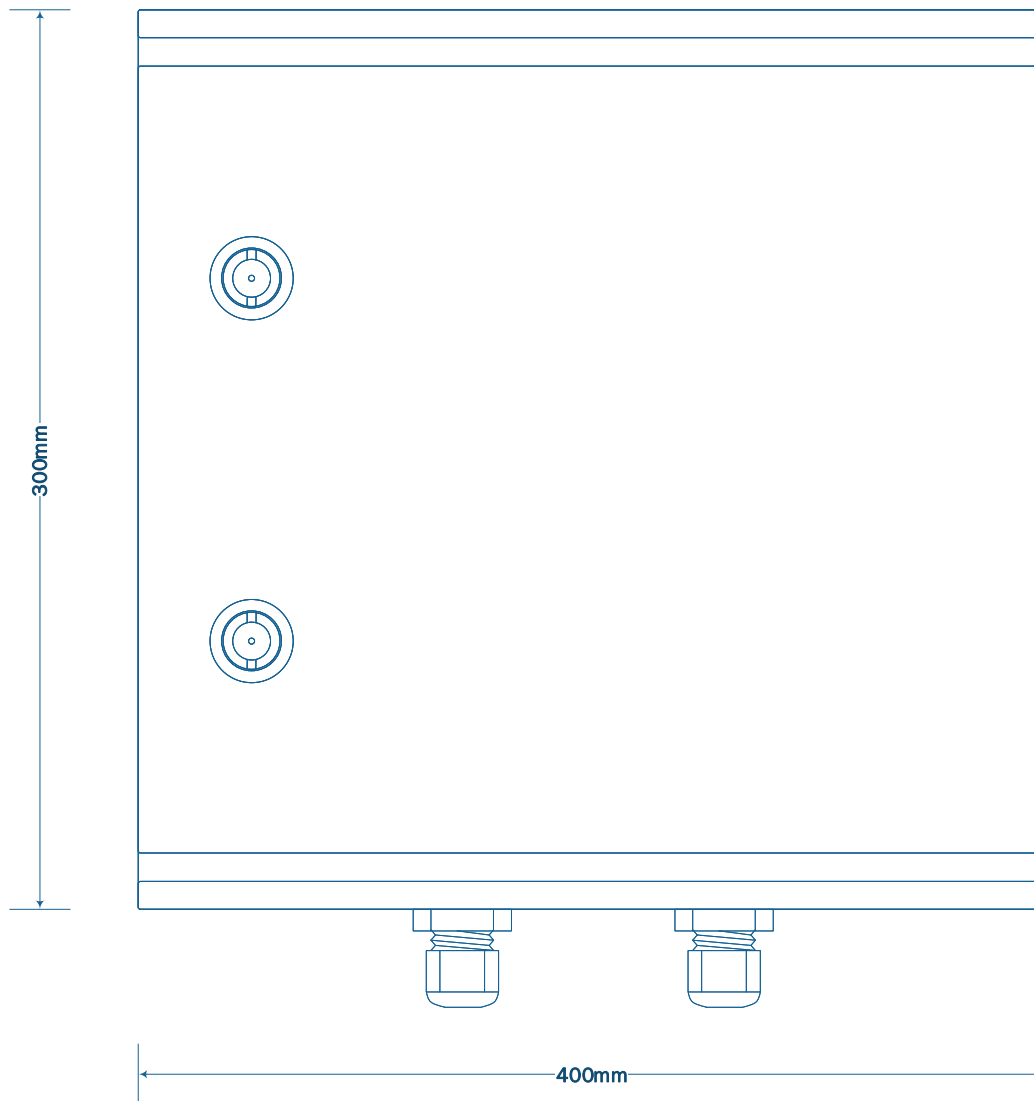
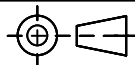




PROJECT

VENTUS - WIRELESS EMERGENCY CALLING

PROJECTION:



THESE DRAWINGS AND SPECIFICATIONS ARE THE PROPERTY OF C-VIGIL LTD AND SHALL NOT BE REPRODUCED, COPIED OR USED AS THE BASIS FOR THE MANUFACTURE OR SALE OF EQUIPMENT WITHOUT EXPLICIT WRITTEN PERMISSION

SCALE:  
NOT TO SCALE

VERSION:  
VER.1.0.1

TITLE:

S/V - RECEIVER CLUSTER(S)

C-VIGIL Ltd : marine (CVM)

www.cvigil.co.uk | support@cvigil.co.uk | +44 (0)1244 879 279

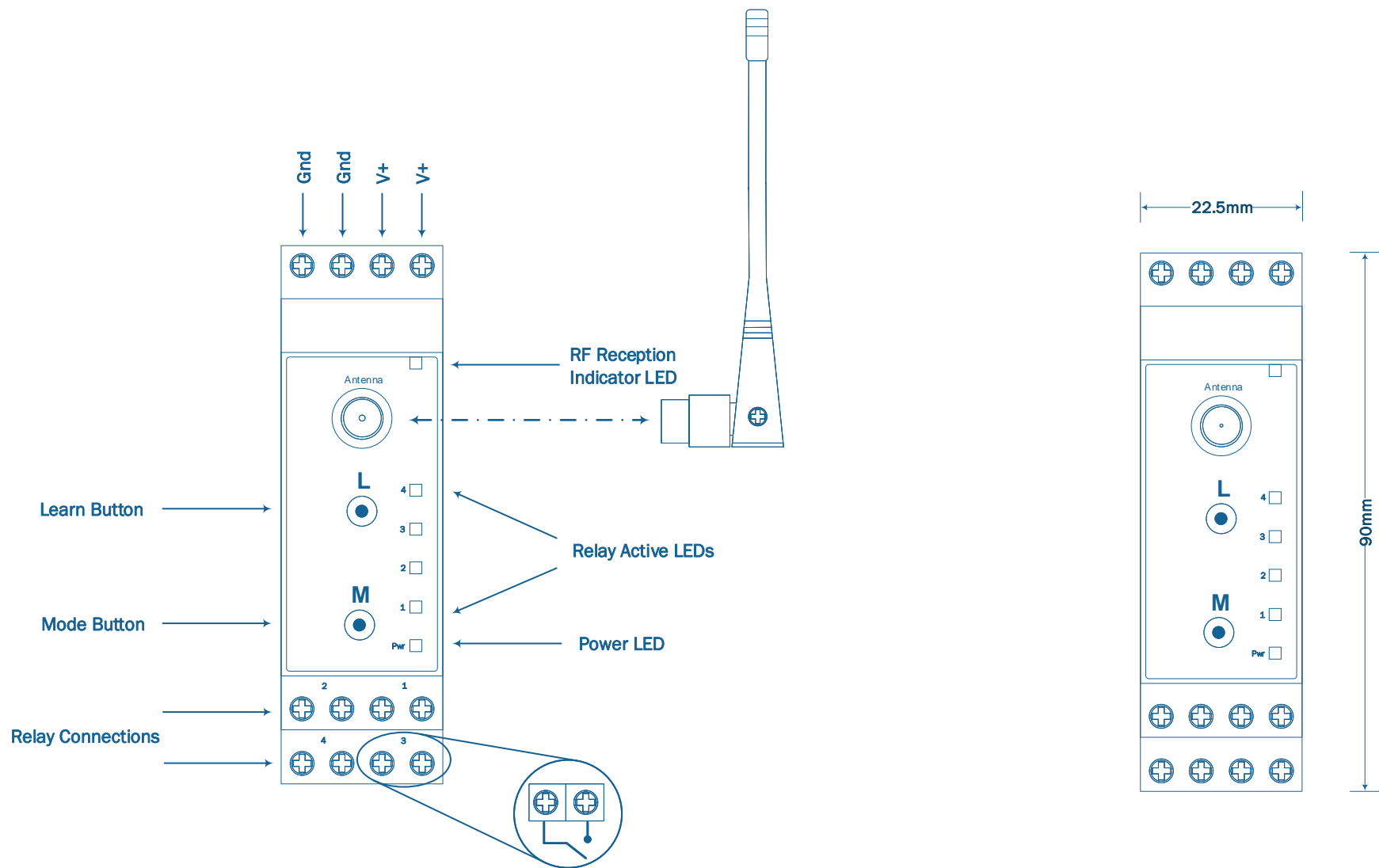
DWG No:  
DWG-07b

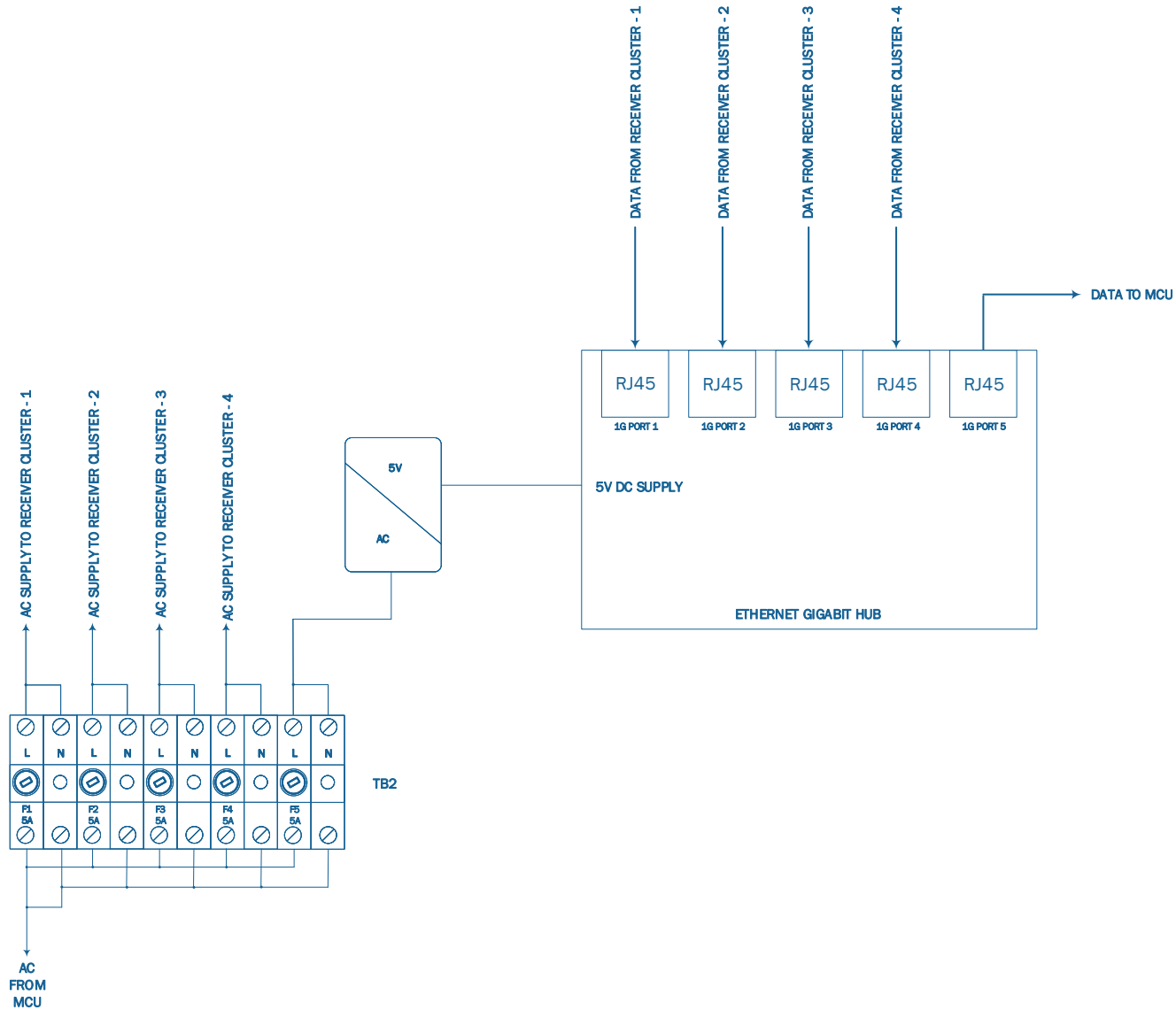
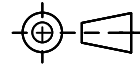
DATE:  
Mar-21

SHEET No:  
24 of 29

REVISION:  
A

DRAWN BY:  
SS

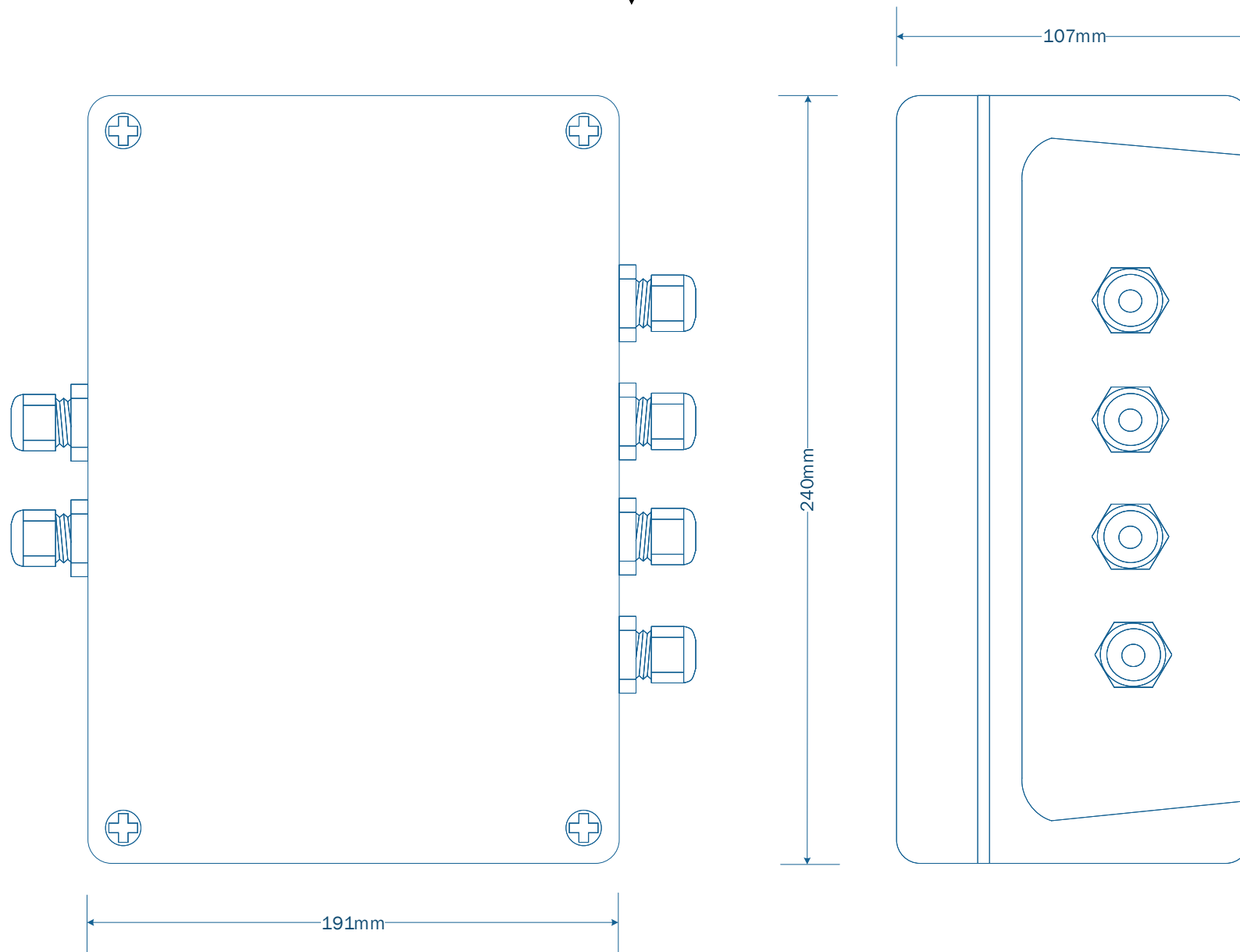
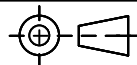




PROJECT

VENTUS - WIRELESS EMERGENCY CALLING

PROJECTION:



THESE DRAWINGS AND SPECIFICATIONS ARE THE PROPERTY OF C-VIGIL LTD AND SHALL NOT BE REPRODUCED, COPIED OR USED AS THE BASIS FOR THE MANUFACTURE OR SALE OF EQUIPMENT WITHOUT EXPLICIT WRITTEN PERMISSION

SCALE:  
NOT TO SCALE

VERSION:  
VER.1.0.1

TITLE:

S/V - RECEIVER CLUSTER CONNEX UNIT

C-VIGIL Ltd : marine (CVM)

www.cvigil.co.uk | support@cvigil.co.uk | +44 (0)1244 879 279

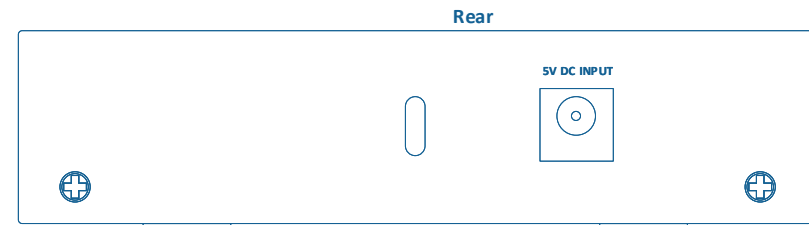
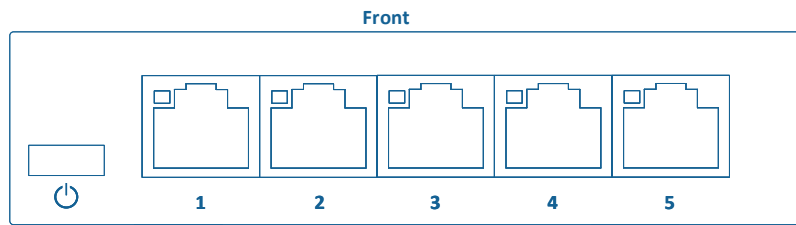
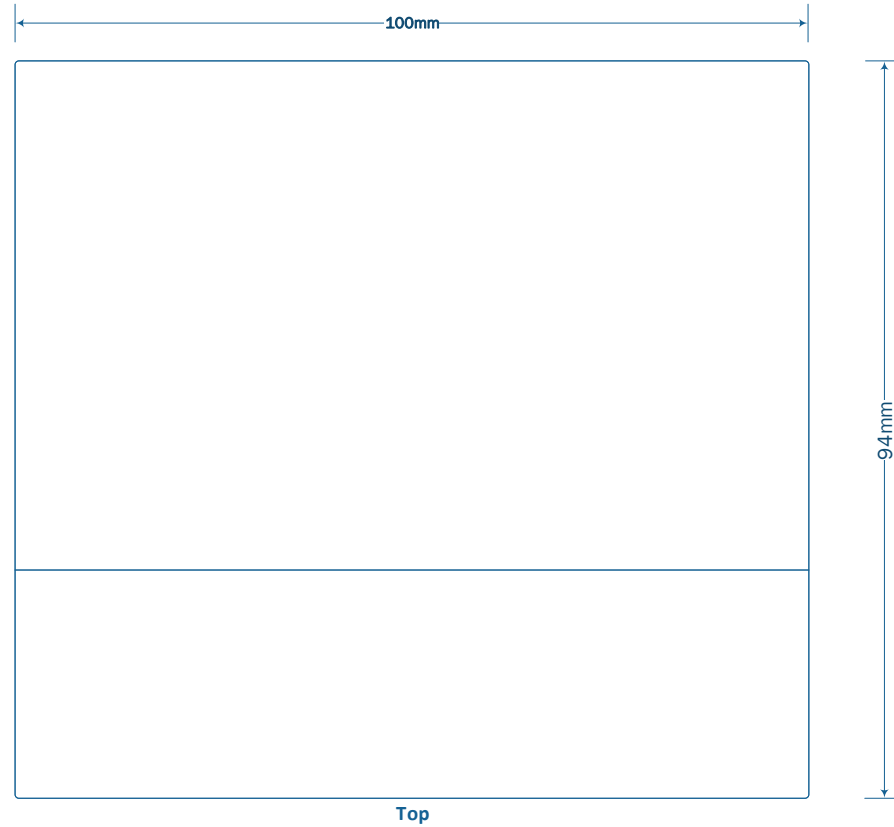
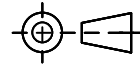
DWG No:  
DWG-10b

DATE:  
Mar-21

SHEET No:  
27 of 29

REVISION:  
A

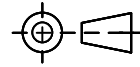
DRAWN BY:  
SS



PROJECT

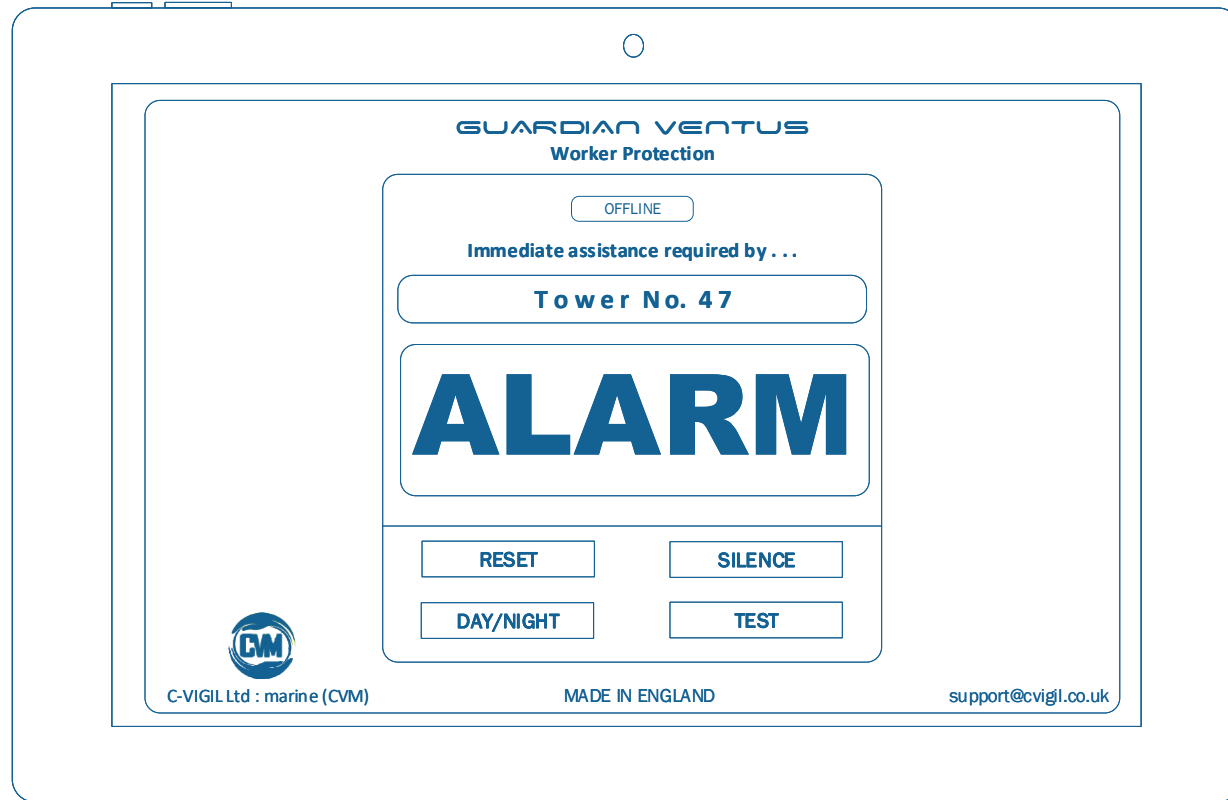
VENTUS – WIRELESS EMERGENCY CALLING

PROJECTION:



258MM

173MM



THESE DRAWINGS AND SPECIFICATIONS ARE THE PROPERTY OF C-VIGIL LTD AND SHALL NOT BE REPRODUCED, COPIED OR USED AS THE BASIS FOR THE MANUFACTURE OR SALE OF EQUIPMENT WITHOUT EXPLICIT WRITTEN PERMISSION

SCALE:  
NOT TO SCALE

TITLE:  
S/V – EMGY ALARM DISPLAY (TABLET PC)

DWG No:  
DWG-12b

REVISION:  
A

VERSION:  
VER.1.0.1

C-VIGIL Ltd : marine (CVM)  
www.cvigil.co.uk | support@cvigil.co.uk | +44 (0)1244 879 279

DATE:  
Mar-21

SHEET No:  
29 of 29

DRAWN BY:  
SS