

C-VIGIL Ltd : marine (CVM)

---

Marine Safety & Security Systems

# GUARDIAN SYSTEMS

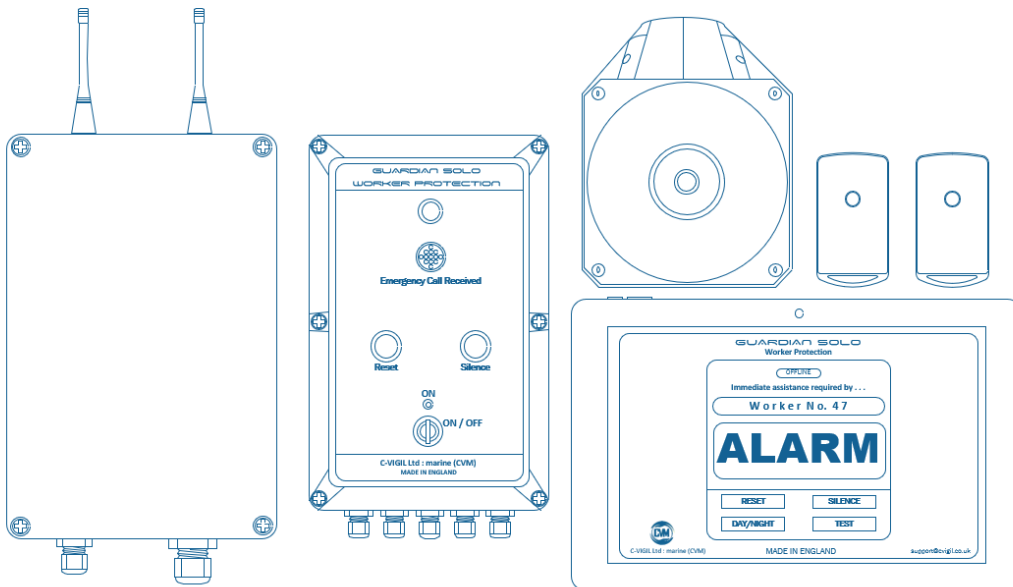
Portable Wireless Worker Protection

guardianSOLO

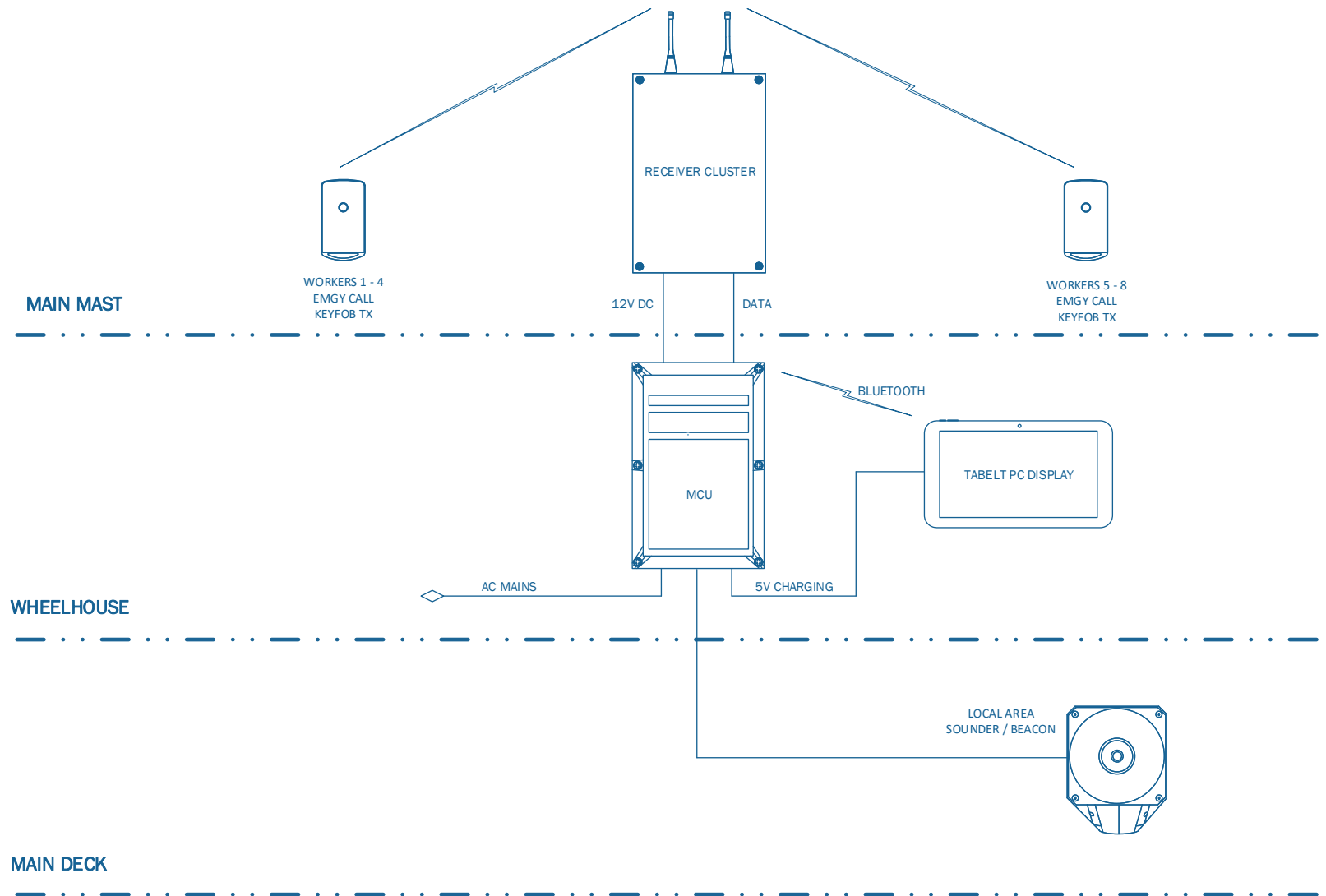
Deck Version

GUARDIAN SOLO(DECK)

# Technical Drawings & Schematics



C-VIGIL Ltd : marine (CVM)  
'The Barn', Bryntirion Road  
Bagillt, Flintshire  
CH6 6DS, UK  
+44 (0)1244 279 879  
support@cvigil.co.uk :- www.cvigil.co.uk



THESE DRAWINGS AND SPECIFICATIONS ARE THE PROPERTY OF C-VIGIL LTD AND SHALL NOT BE REPRODUCED, COPIED OR USED AS THE BASIS FOR THE MANUFACTURE OR SALE OF EQUIPMENT WITHOUT EXPLICIT WRITTEN PERMISSION

SCALE:  
NOT TO SCALE

VERSION:  
VER.1.0.1

TITLE:  
**TYPICAL OVERVIEW – 1 TO 8 WORKERS**

**C-VIGIL Ltd : marine (CVM)**  
www.cvigil.co.uk | support@cvigil.co.uk | +44 (0)1244 879 279

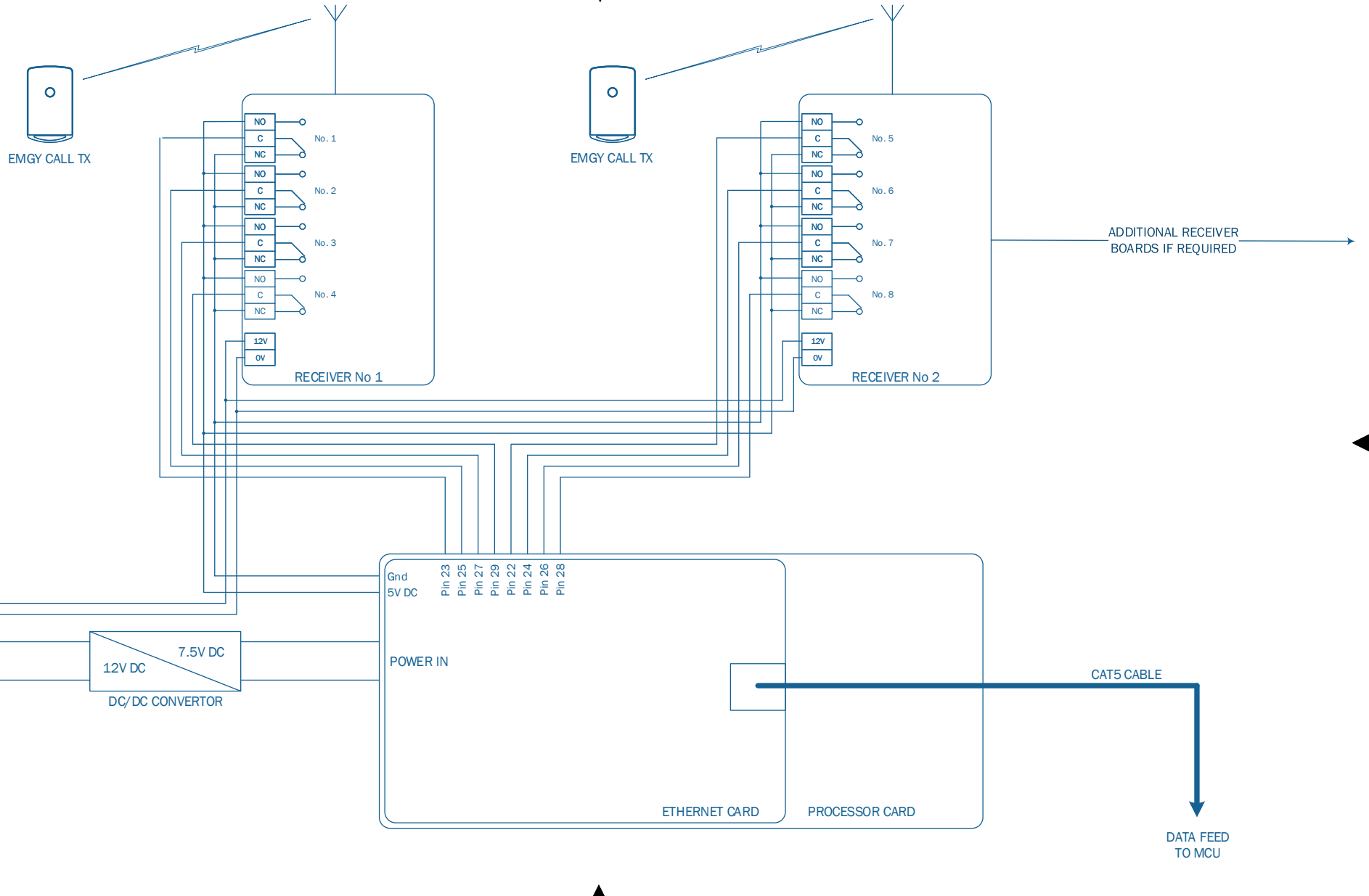
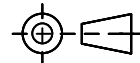
DWG No:  
DWG001

DATE:  
Mar-21

SHEET No:  
1 of 11

REVISION:  
A

DRAWN BY:  
SS



THESE DRAWINGS AND SPECIFICATIONS ARE THE PROPERTY OF C-VIGIL LTD AND SHALL NOT BE REPRODUCED, COPIED OR USED AS THE BASIS FOR THE MANUFACTURE OR SALE OF EQUIPMENT WITHOUT EXPLICIT WRITTEN PERMISSION

SCALE:  
NOT TO SCALE

VERSION:  
VER.1.0.1

TITLE:  
**RECEIVER CLUSTER - WIRING**

**C-VIGIL Ltd : marine (CVM)**  
www.cvigil.co.uk | support@cvigil.co.uk | +44 (0)1244 879 279

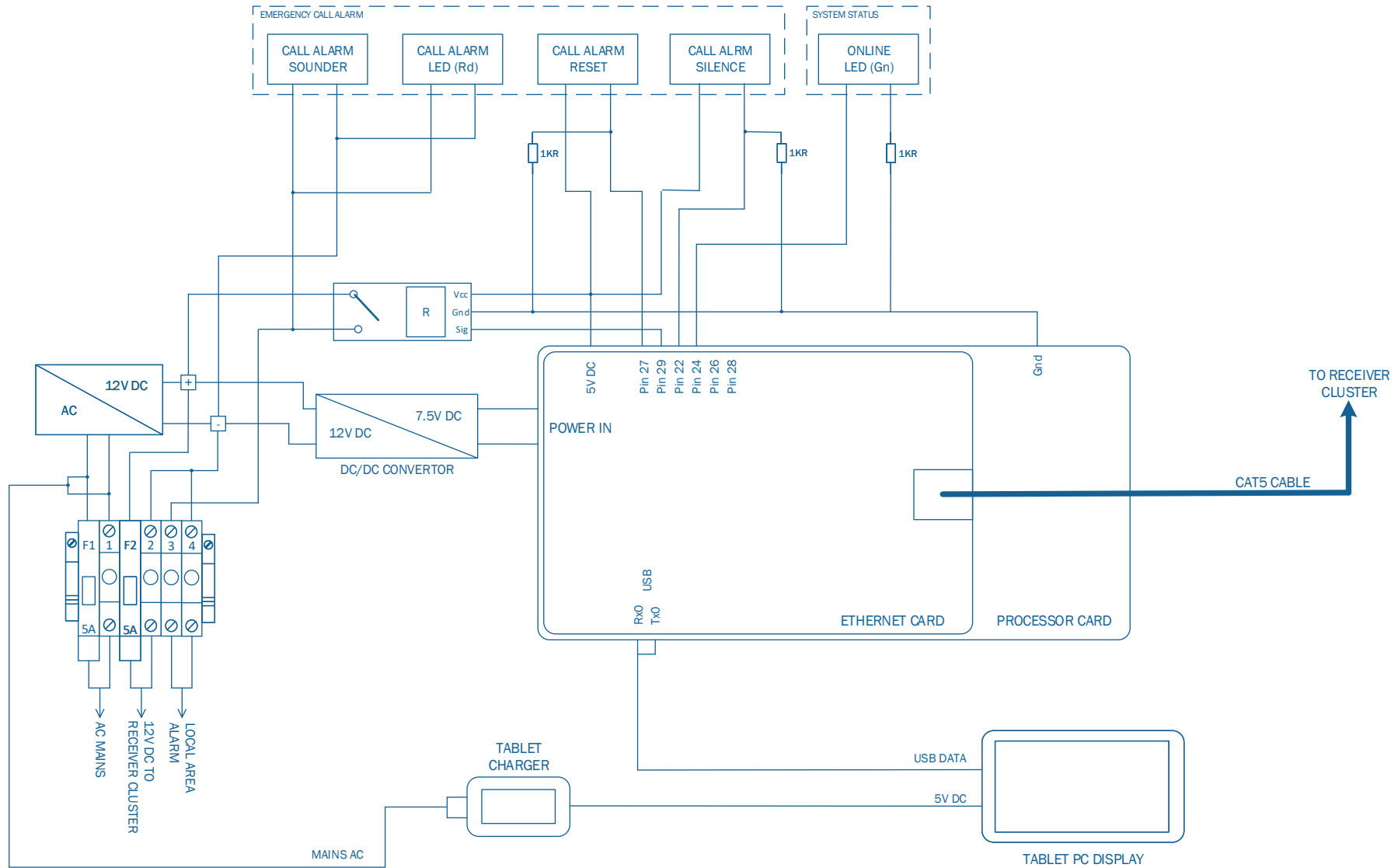
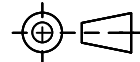
DWG No:  
DWG002

DATE:  
Mar-21

SHEET No:  
2 of 11

REVISION:  
A

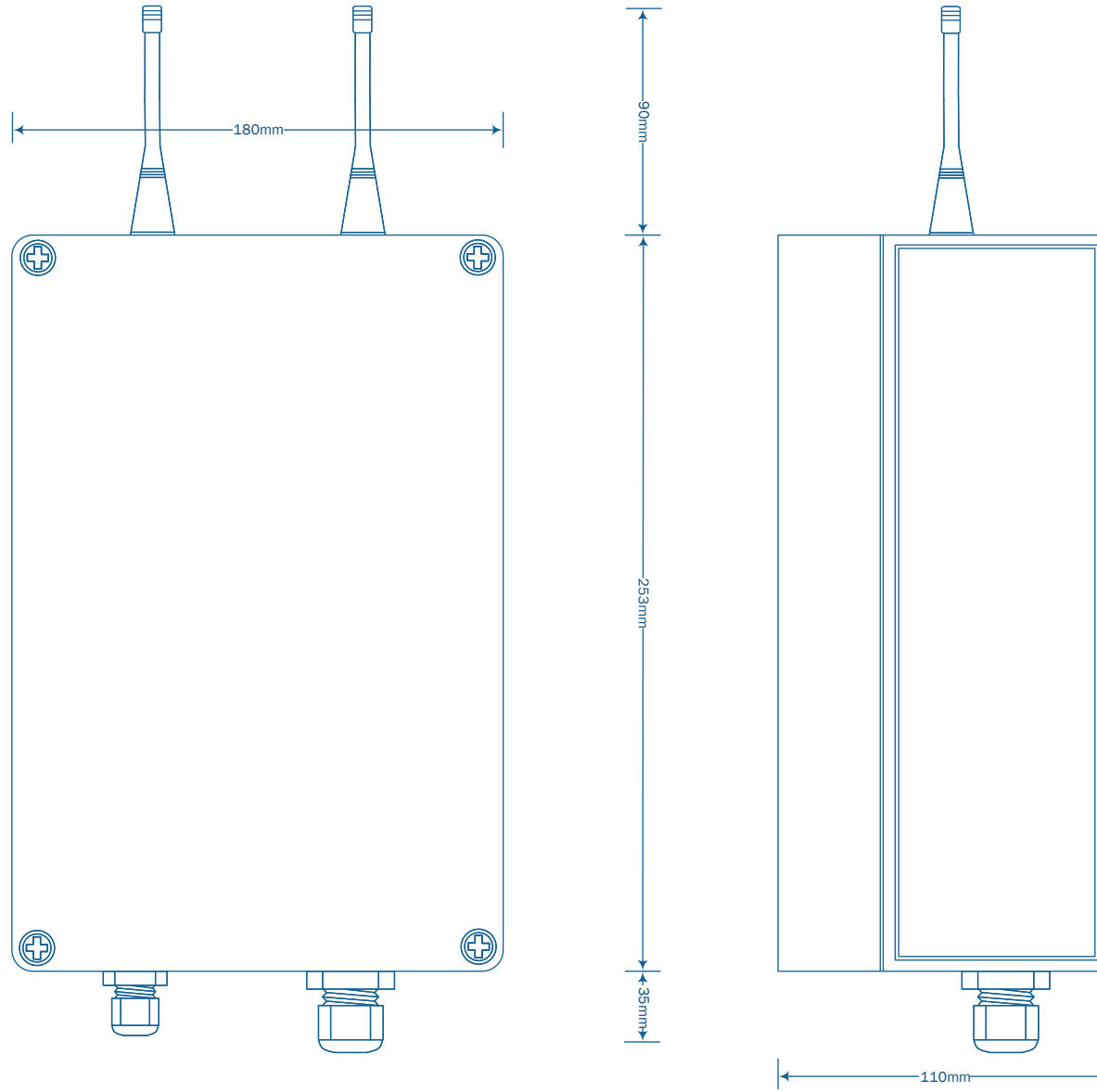
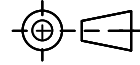
DRAWN BY:  
SS



PROJECT

GUARDIAN SOLO

PROJECTION:



THESE DRAWINGS AND SPECIFICATIONS ARE THE PROPERTY OF C-VIGIL LTD AND SHALL NOT BE REPRODUCED, COPIED OR USED AS THE BASIS FOR THE MANUFACTURE OR SALE OF EQUIPMENT WITHOUT EXPLICIT WRITTEN PERMISSION

SCALE:  
NOT TO SCALE

VERSION:  
VER.1.0.1

TITLE:

RECEIVER CLUSTER – 1 – 8 WORKERS

C-VIGIL Ltd : marine (CVM)

www.cvigil.co.uk | support@cvigil.co.uk | +44 (0)1244 879 279

DWG No:  
DWG004

DATE:  
Mar-21

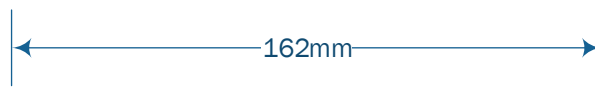
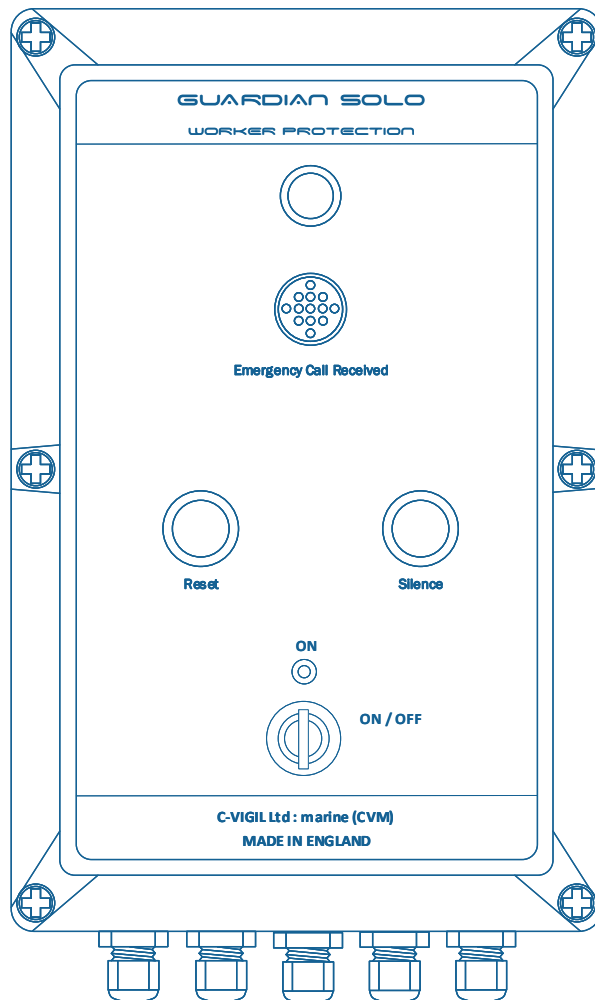
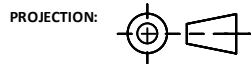
SHEET No:  
4 of 11

REVISION:  
A

DRAWN BY:  
SS

PROJECT

GUARDIAN SOLO



THESE DRAWINGS AND SPECIFICATIONS ARE THE PROPERTY OF C-VIGIL LTD AND SHALL NOT BE REPRODUCED, COPIED OR USED AS THE BASIS FOR THE MANUFACTURE OR SALE OF EQUIPMENT WITHOUT EXPLICIT WRITTEN PERMISSION

SCALE:  
NOT TO SCALE

VERSION:  
VER.1.0.1

TITLE:  
**MAIN CONTROL UNIT (MCU)**

**C-VIGIL Ltd : marine (CVM)**  
www.cvigil.co.uk | support@cvigil.co.uk | +44 (0)1244 879 279

DWG No: DWG005

DATE: Mar-21

SHEET No: 5 of 11

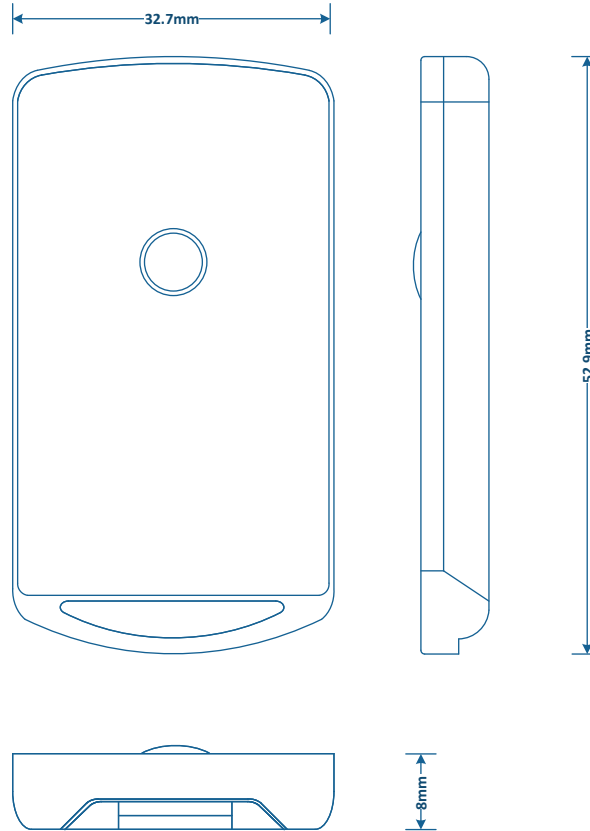
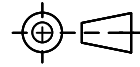
REVISION: A

DRAWN BY: SS

PROJECT / VESSEL

GUARDIAN : SOLO – DECK AREAS (PORTABLE)

PROJECTION:



THESE DRAWINGS AND SPECIFICATIONS ARE THE PROPERTY OF C-VIGIL LTD AND SHALL NOT BE REPRODUCED, COPIED OR USED AS THE BASIS FOR THE MANUFACTURE OR SALE OF EQUIPMENT WITHOUT EXPLICIT WRITTEN PERMISSION

SCALE:  
NOT TO SCALE

VERSION:  
VER.1.0.1

TITLE:  
EMERGENCY CALL KEYFOB TRANSMITTER

C-VIGIL Ltd : marine (CVM)  
www.cvigil.co.uk | support@cvigil.co.uk | +44 (0)1244 879 279

DWG No:  
DWG006

DATE:  
Mar-21

SHEET No:  
6 of 11

REVISION:  
A

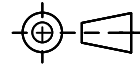
DRAWN BY:  
SS



PROJECT

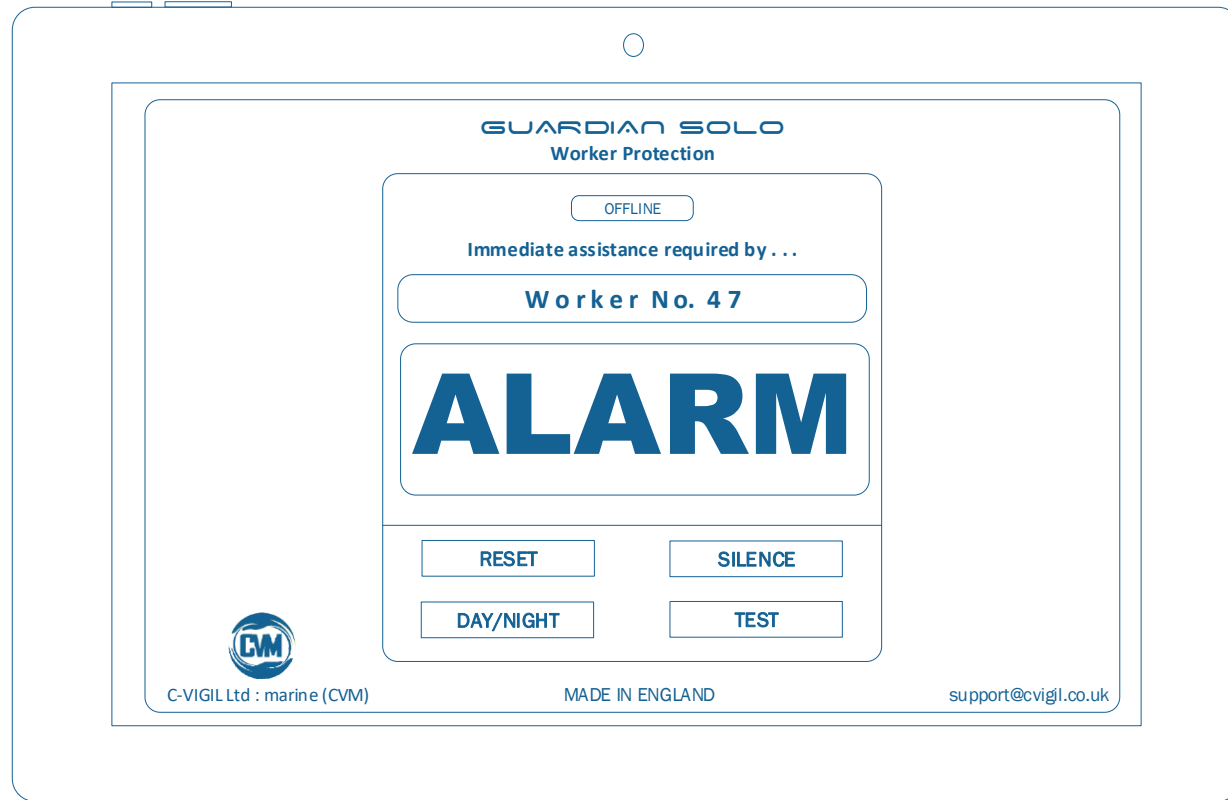
GUARDIAN SOLO

PROJECTION:



258MM

173MM



THESE DRAWINGS AND SPECIFICATIONS ARE THE PROPERTY OF C-VIGIL LTD AND SHALL NOT BE REPRODUCED, COPIED OR USED AS THE BASIS FOR THE MANUFACTURE OR SALE OF EQUIPMENT WITHOUT EXPLICIT WRITTEN PERMISSION

SCALE:  
NOT TO SCALE

TITLE:

TABLET PC DISPLAY

DWG No:  
DWG007

REVISION:  
A

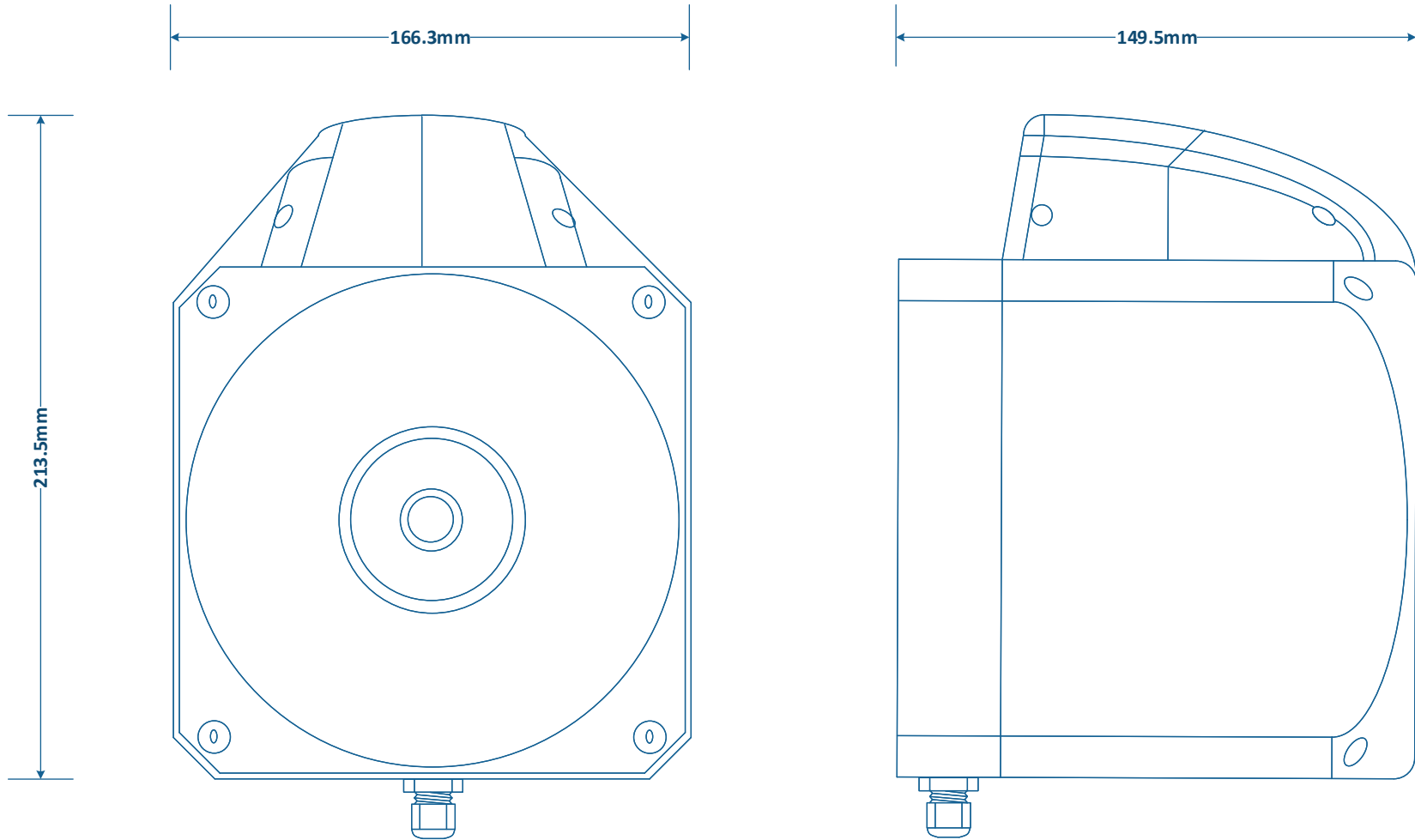
VERSION:  
VER.1.0.1

C-VIGIL Ltd : marine (CVM)  
www.cvigil.co.uk | support@cvigil.co.uk | +44 (0)1244 879 279

DATE:  
Mar-21

SHEET No:  
7 of 11

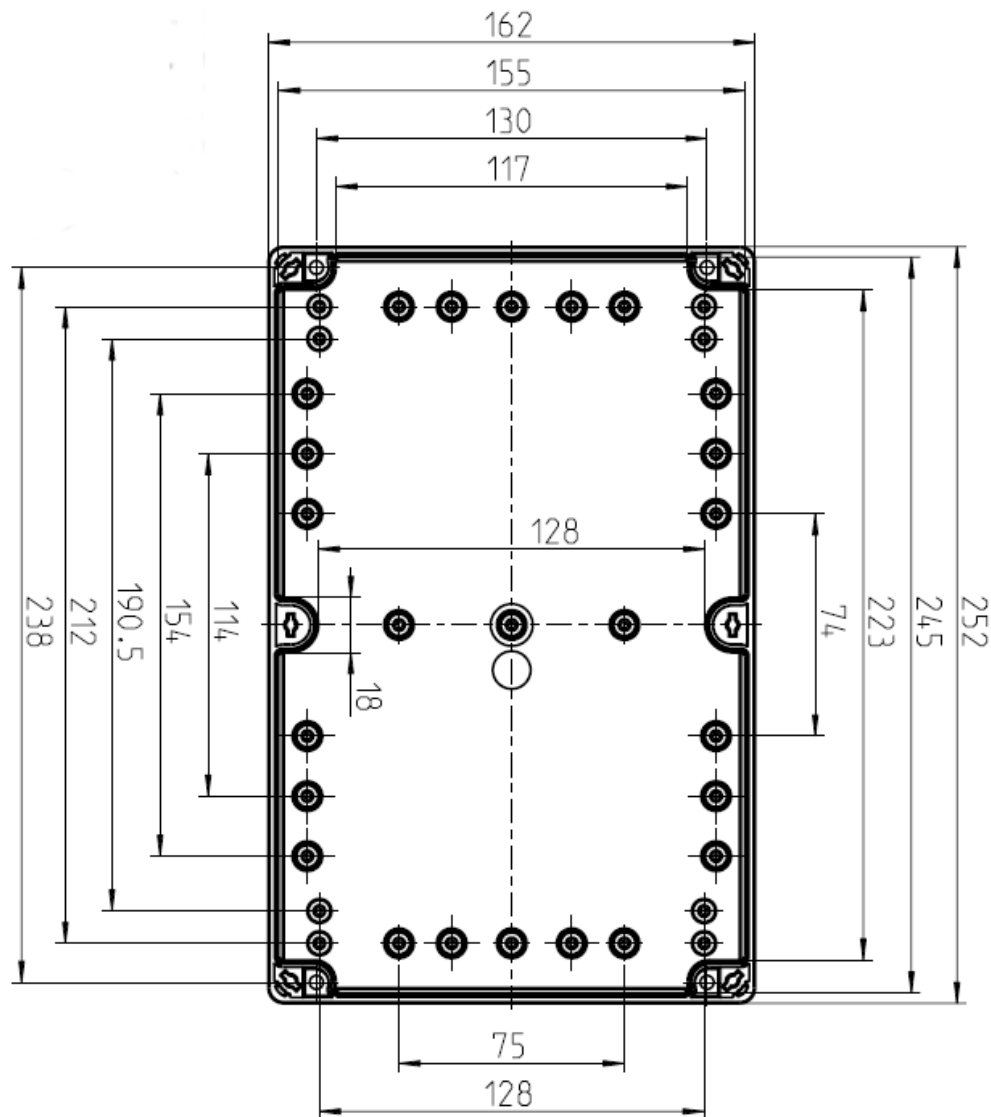
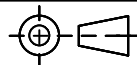
DRAWN BY:  
SS



PROJECT

GUARDIAN SOLO

PROJECTION:



THESE DRAWINGS AND SPECIFICATIONS ARE THE PROPERTY OF C-VIGIL LTD AND SHALL NOT BE REPRODUCED, COPIED OR USED AS THE BASIS FOR THE MANUFACTURE OR SALE OF EQUIPMENT WITHOUT EXPLICIT WRITTEN PERMISSION

SCALE:  
NOT TO SCALE

VERSION:  
VER.1.0.1

TITLE:

MCU - FIXING CENTERS

C-VIGIL Ltd : marine (CVM)

www.cvigil.co.uk | support@cvigil.co.uk | +44 (0)1244 879 279

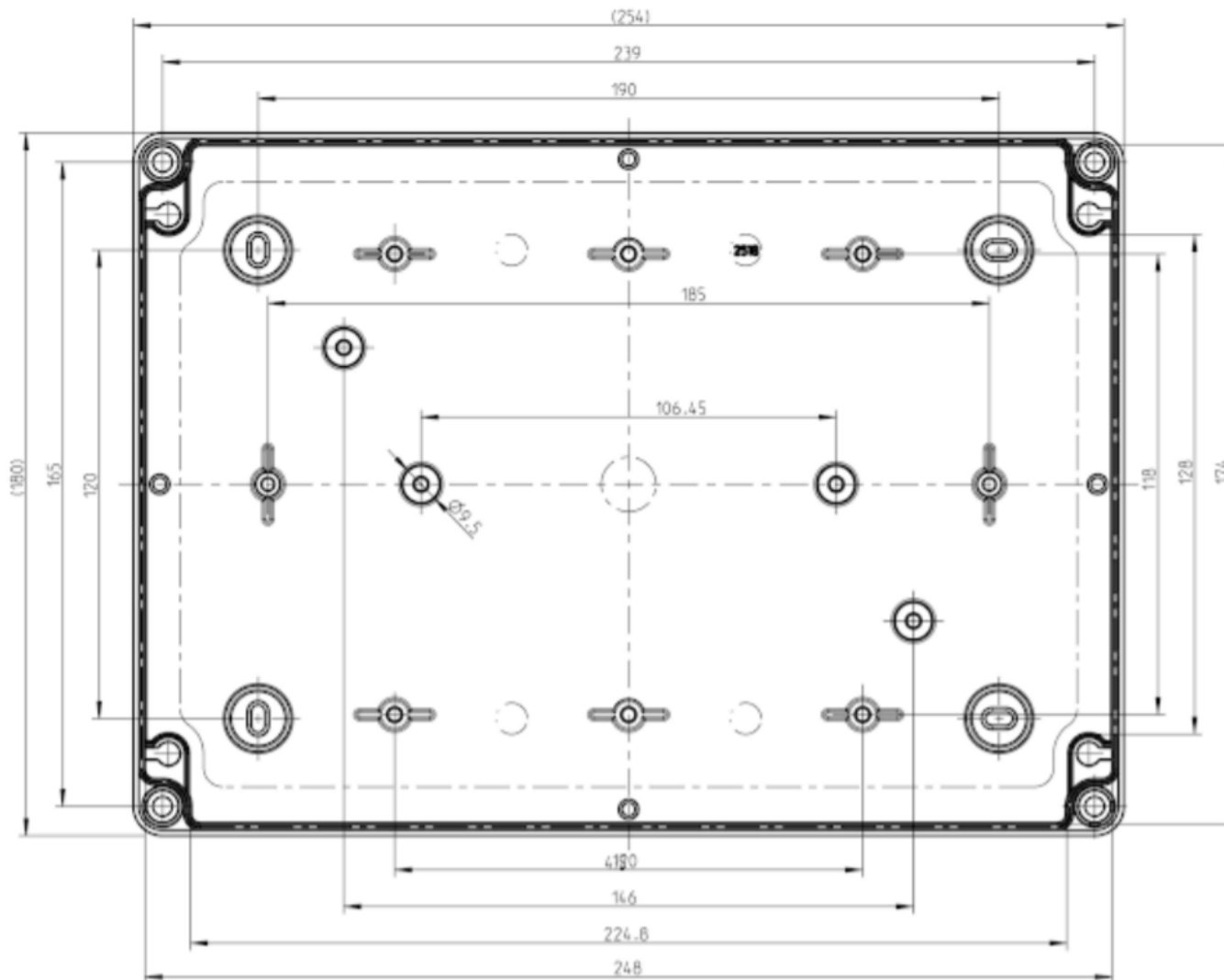
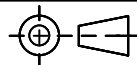
DWG No:  
DWG009

DATE:  
Mar-21

SHEET No:  
9 of 11

REVISION:  
A

DRAWN BY:  
SS



THESE DRAWINGS AND SPECIFICATIONS ARE THE PROPERTY OF C-VIGIL LTD AND SHALL NOT BE REPRODUCED, COPIED OR USED AS THE BASIS FOR THE MANUFACTURE OR SALE OF EQUIPMENT WITHOUT EXPLICIT WRITTEN PERMISSION

SCALE:  
NOT TO SCALE

VERSION:  
VER.1.0.1

TITLE:

RECEIVER CLUSTER – FIXING CENTERS

C-VIGIL Ltd : marine (CVM)

www.cvigil.co.uk | support@cvigil.co.uk | +44 (0)1244 879 279

DWG No:  
DWG010

DATE:  
Mar-21

SHEET No:  
10 of 11

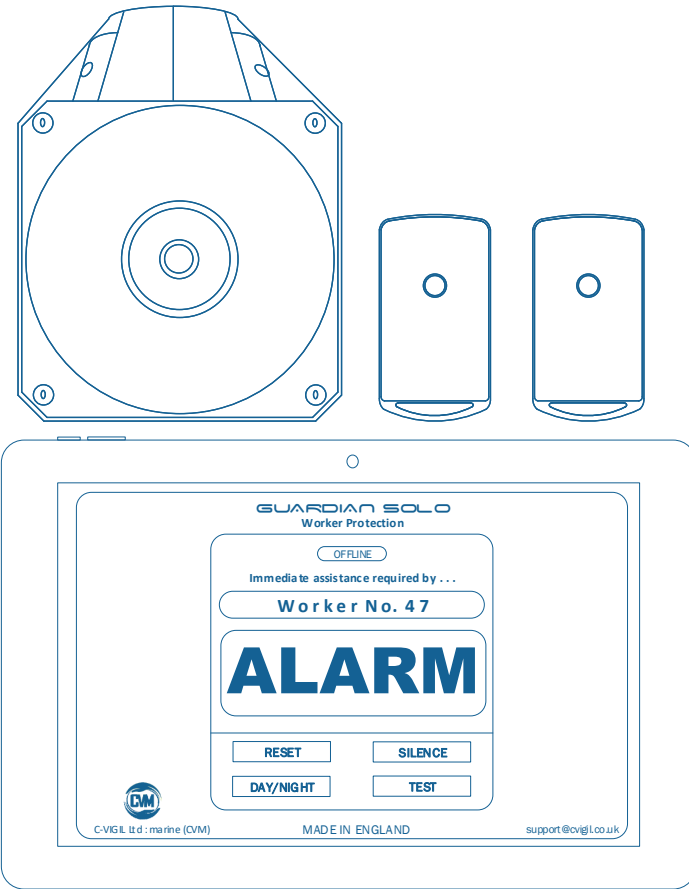
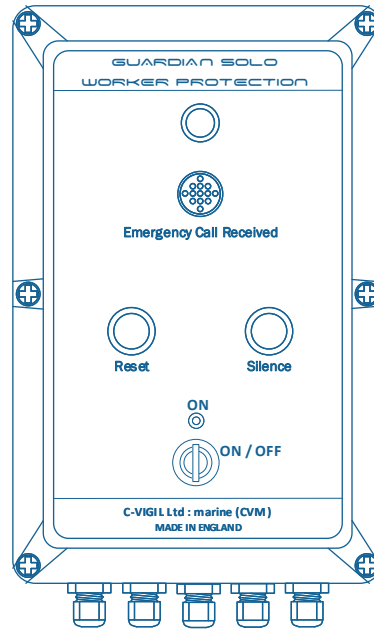
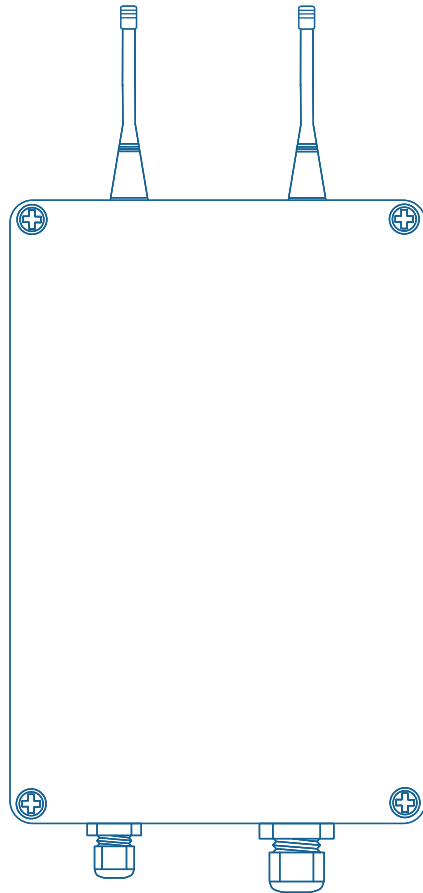
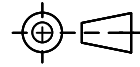
REVISION:  
A

DRAWN BY:  
SS

PROJECT

GUARDIAN SOLO

PROJECTION:



THESE DRAWINGS AND SPECIFICATIONS ARE THE PROPERTY OF C-VIGIL LTD AND SHALL NOT BE REPRODUCED, COPIED OR USED AS THE BASIS FOR THE MANUFACTURE OR SALE OF EQUIPMENT WITHOUT EXPLICIT WRITTEN PERMISSION

SCALE:  
NOT TO SCALE

VERSION:  
VER.1.0.1

TITLE:

EQUIPMENT COMBINED

C-VIGIL Ltd : marine (CVM)

www.cvigil.co.uk | support@cvigil.co.uk | +44 (0)1244 879 279

DWG No:  
DWG011

DATE:  
Mar-21

SHEET No:  
11 of 11

REVISION:  
A

DRAWN BY:  
SS