

C-VIGIL Ltd : marine (CVM)

---

Marine Safety & Security Systems

# GUARDIAN SYSTEMS

Portable Wireless Worker Protection

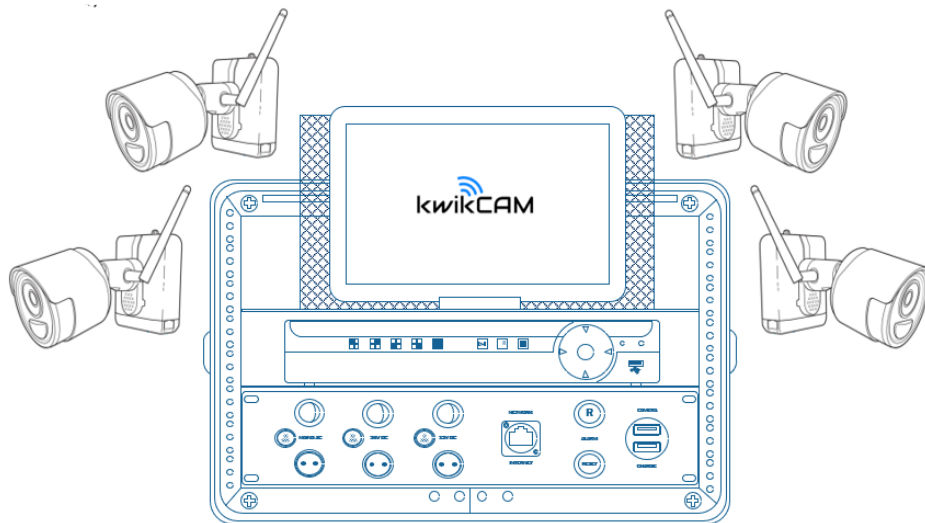
guardianKWIKCAM

Portable Rapid Deployment CCTV

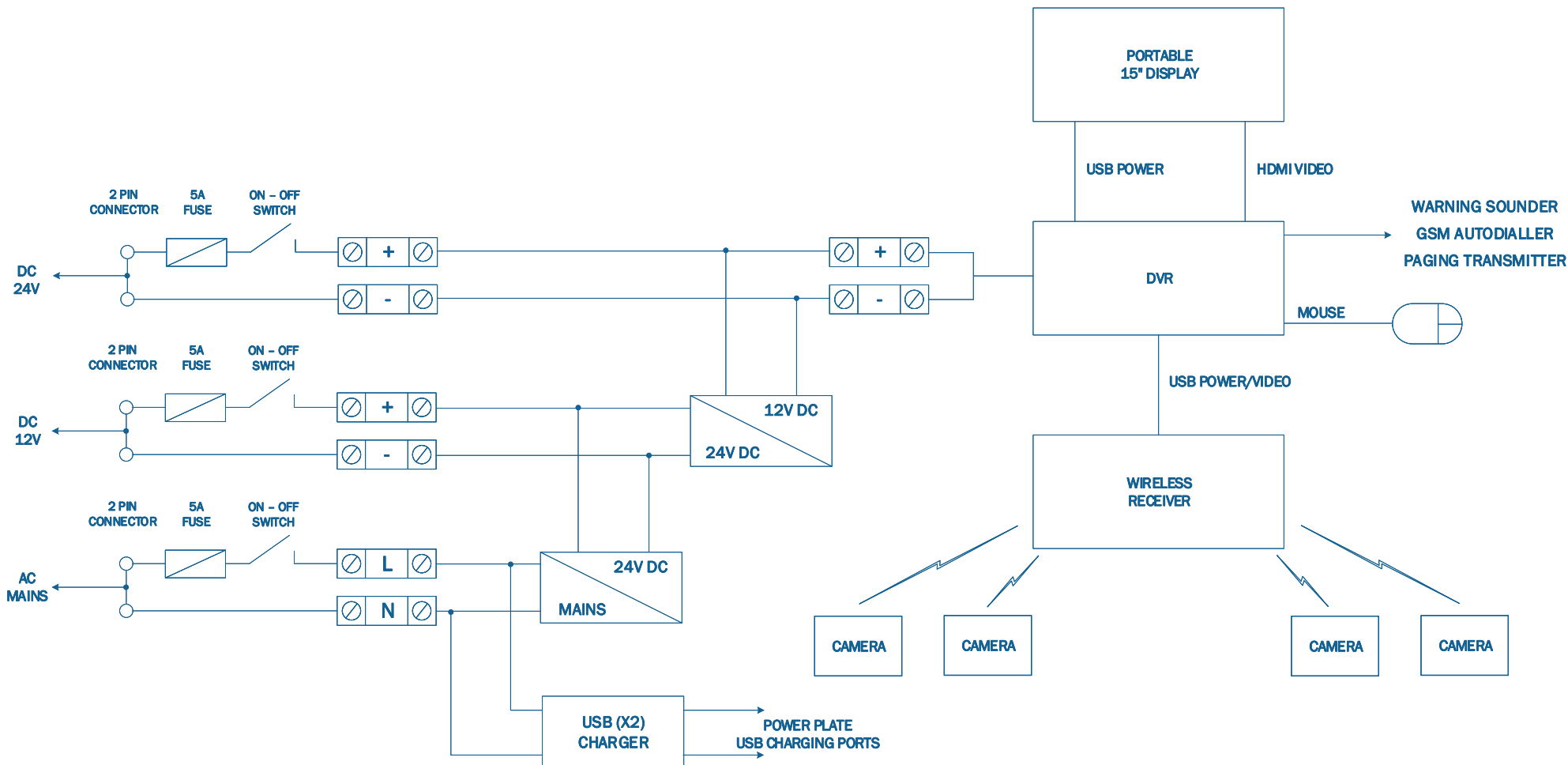
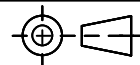
GUARDIAN KWIKCAM

---

# Technical Drawings & Schematics



C-VIGIL Ltd : marine (CVM)  
'The Barn', Bryntirion Road  
Bagillt, Flintshire  
CH6 6DS, UK  
+44 (0)1244 279 879  
support@cvigil.co.uk :- www. cvigil.co.uk



THESE DRAWINGS AND SPECIFICATIONS ARE THE PROPERTY OF C-VIGIL LTD AND SHALL NOT BE REPRODUCED, COPIED OR USED AS THE BASIS FOR THE MANUFACTURE OR SALE OF EQUIPMENT WITHOUT EXPLICIT WRITTEN PERMISSION

SCALE:  
NOT TO SCALE

VERSION:  
VER.1.0.1

TITLE:

OVERVIEW

C-VIGIL Ltd : marine (CVM)

www.cvigil.co.uk | support@cvigil.co.uk | +44 (0)1244 879 279

DWG No:  
DWG001

DATE:  
Apr-21

SHEET No:  
1 of 8

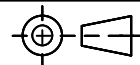
REVISION:  
A

DRAWN BY:  
SS

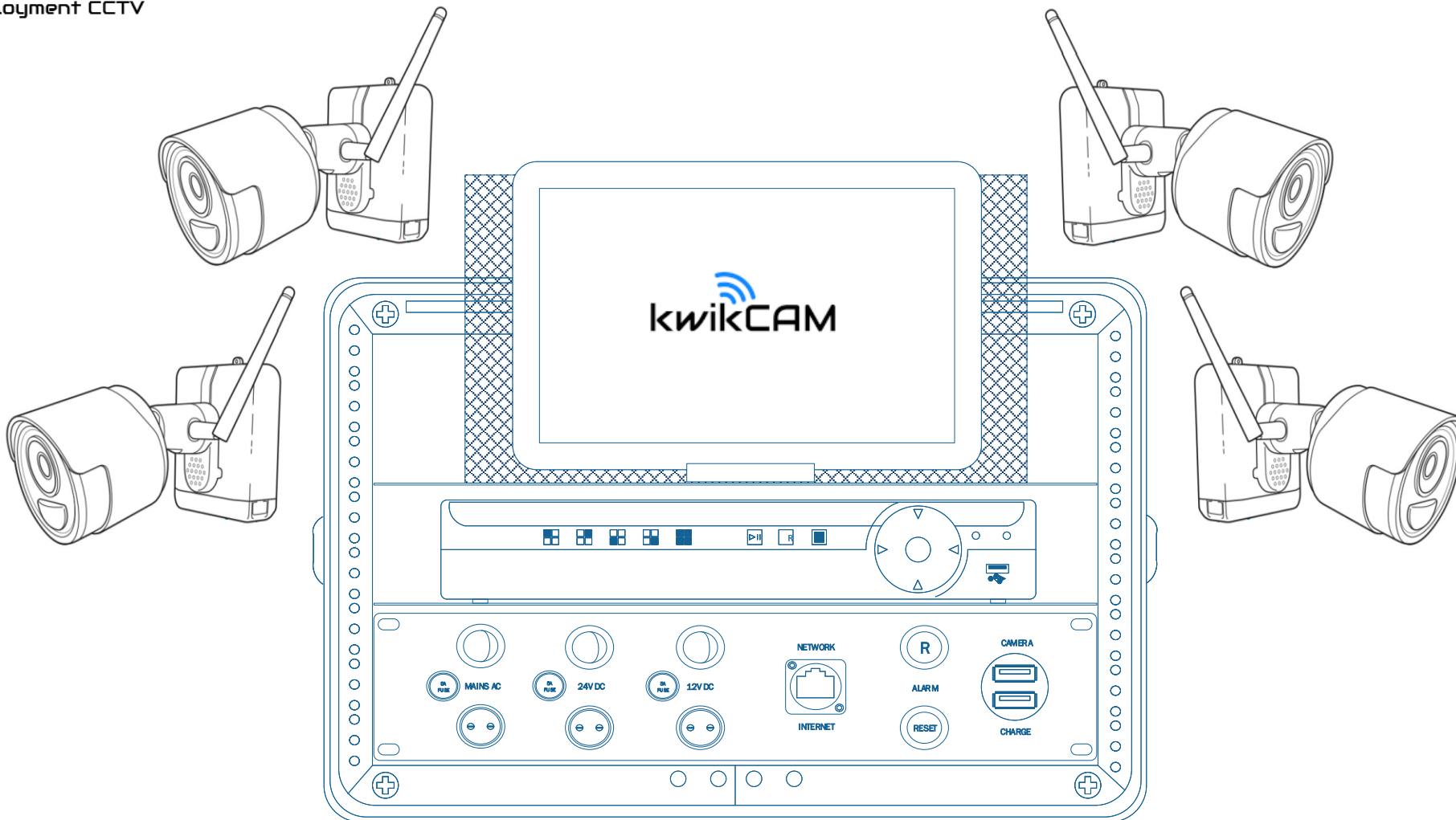
PROJECT

kwikCAM - Rapid Deployment CCTV

PROJECTION:



**kwikCAM**  
Rapid Deployment CCTV



THESE DRAWINGS AND SPECIFICATIONS ARE THE PROPERTY OF C-VIGIL LTD AND SHALL NOT BE REPRODUCED, COPIED OR USED AS THE BASIS FOR THE MANUFACTURE OR SALE OF EQUIPMENT WITHOUT EXPLICIT WRITTEN PERMISSION

SCALE:  
NOT TO SCALE

VERSION:  
VER.1.0.1

TITLE:

EQUIPMENT OVERVIEW

C-VIGIL Ltd : marine (CVM)

www.cvigil.co.uk | support@cvigil.co.uk | +44 (0)1244 879 279

DWG No:  
DWG002

DATE:  
Apr-21

SHEET No:  
2 of 8

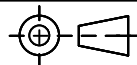
REVISION:  
A

DRAWN BY:  
SS

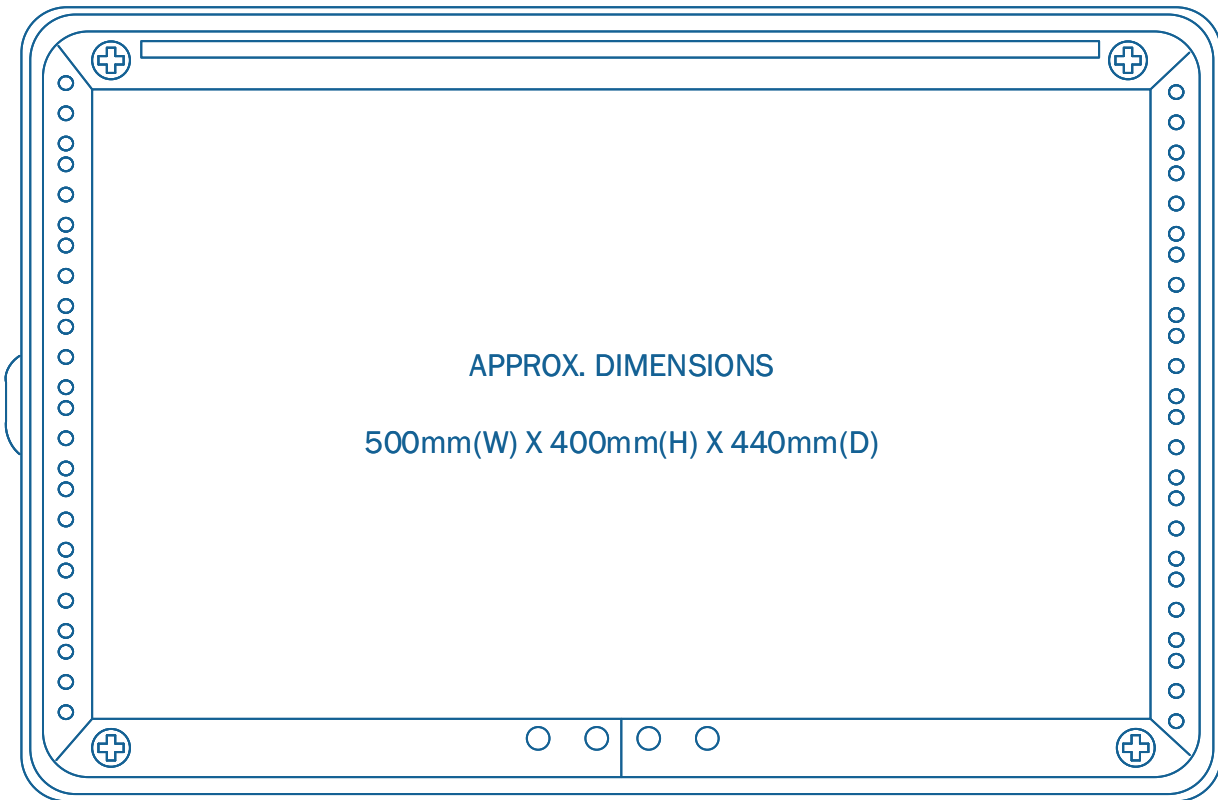
PROJECT

kwikCAM - Rapid Deployment CCTV

PROJECTION:



**kwikCAM**  
Rapid Deployment CCTV



THESE DRAWINGS AND SPECIFICATIONS ARE THE PROPERTY OF C-VIGIL LTD AND SHALL NOT BE REPRODUCED, COPIED OR USED AS THE BASIS FOR THE MANUFACTURE OR SALE OF EQUIPMENT WITHOUT EXPLICIT WRITTEN PERMISSION

SCALE:  
NOT TO SCALE

VERSION:  
VER.1.0.1

TITLE:

19" RACK MOUNT ABS FLIGHT CASE

C-VIGIL Ltd : marine (CVM)

www.cvigil.co.uk | support@cvigil.co.uk | +44 (0)1244 879 279

DWG No:  
DWG003

DATE:  
Apr-21

SHEET No:  
3 of 8

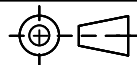
REVISION:  
A

DRAWN BY:  
SS

PROJECT

kwikCAM - Rapid Deployment CCTV

PROJECTION:



DIMENSIONS  
300mm(W) X 300mm (H) X 300mm (D)



THESE DRAWINGS AND SPECIFICATIONS ARE THE PROPERTY OF C-VIGIL LTD AND SHALL NOT BE REPRODUCED, COPIED OR USED AS THE BASIS FOR THE MANUFACTURE OR SALE OF EQUIPMENT WITHOUT EXPLICIT WRITTEN PERMISSION

SCALE:  
NOT TO SCALE

VERSION:  
VER.1.0.1

TITLE:

DIGITAL VIDEO RECORDER (DVR)

C-VIGIL Ltd : marine (CVM)

www.cvigil.co.uk | support@cvigil.co.uk | +44 (0)1244 879 279

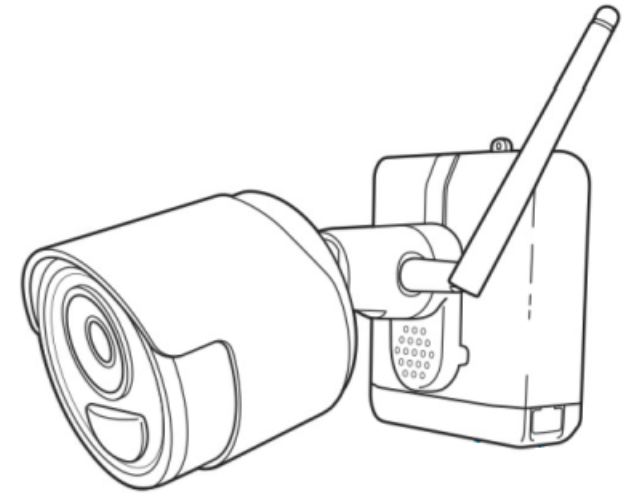
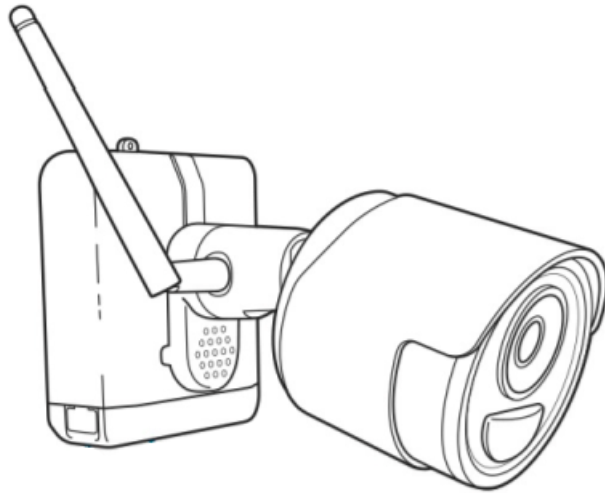
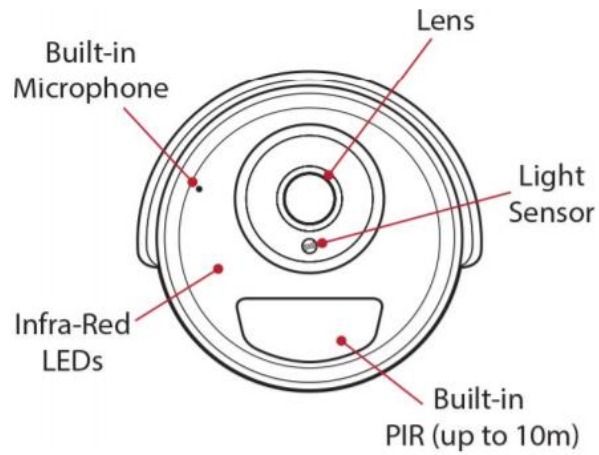
DWG No:  
DWG004

DATE:  
Apr-21

SHEET No:  
4 of 8

REVISION:  
A

DRAWN BY:  
SS



APPROX. DIMENSIONS  
136mm(H) X 93mm(W) X 89mm(D)



THESE DRAWINGS AND SPECIFICATIONS ARE THE PROPERTY OF C-VIGIL LTD AND SHALL NOT BE REPRODUCED, COPIED OR USED AS THE BASIS FOR THE MANUFACTURE OR SALE OF EQUIPMENT WITHOUT EXPLICIT WRITTEN PERMISSION

SCALE:  
NOT TO SCALE

VERSION:  
VER.1.0.1

TITLE:  
BATTERY OPERATED WIRELESS CAMERAS

C-VIGIL Ltd : marine (CVM)  
www.cvigil.co.uk | support@cvigil.co.uk | +44 (0)1244 879 279

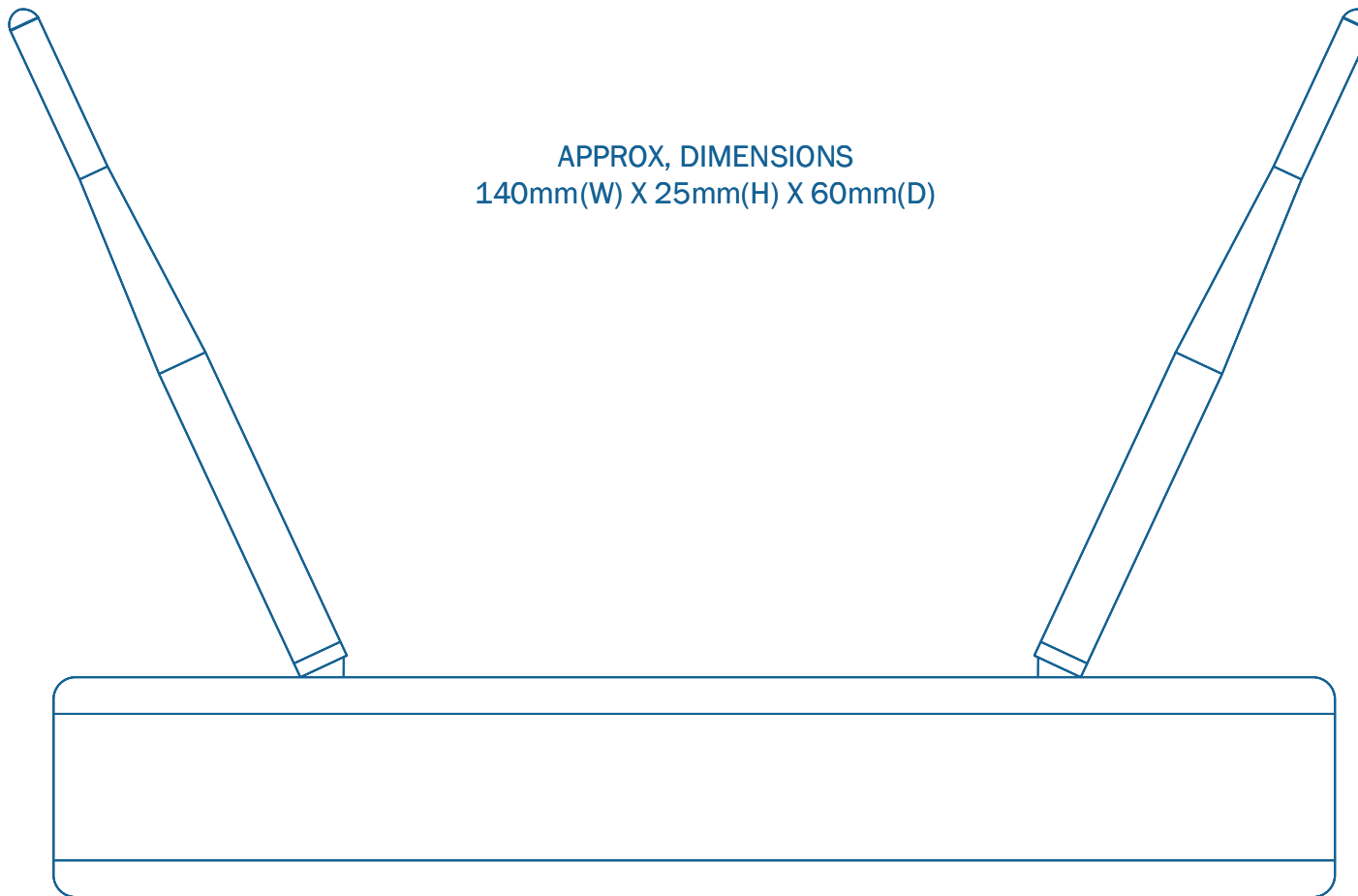
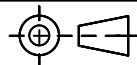
DWG No:  
DWG005

DATE:  
Apr-21

SHEET No:  
5 of 8

REVISION:  
A

DRAWN BY:  
SS



APPROX, DIMENSIONS  
140mm(W) X 25mm(H) X 60mm(D)



THESE DRAWINGS AND SPECIFICATIONS ARE THE PROPERTY OF C-VIGIL LTD AND SHALL NOT BE REPRODUCED, COPIED OR USED AS THE BASIS FOR THE MANUFACTURE OR SALE OF EQUIPMENT WITHOUT EXPLICIT WRITTEN PERMISSION

SCALE:  
NOT TO SCALE

VERSION:  
VER.1.0.1

TITLE:

WIRELESS CAMERA RECEIVER

C-VIGIL Ltd : marine (CVM)

www.cvigil.co.uk | support@cvigil.co.uk | +44 (0)1244 879 279

DWG No:  
DWG006

DATE:  
Apr-21

SHEET No:  
6 of 8

REVISION:  
A

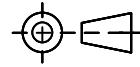
DRAWN BY:  
SS



PROJECT

kwikCAM - Rapid Deployment CCTV

PROJECTION:



**kwikCAM**  
Rapid Deployment CCTV



APPROX. DIMENSIONS  
41mm(W) X 27mm(H) X 5mm(D)



THESE DRAWINGS AND SPECIFICATIONS ARE THE PROPERTY OF C-VIGIL LTD AND SHALL NOT BE REPRODUCED, COPIED OR USED AS THE BASIS FOR THE MANUFACTURE OR SALE OF EQUIPMENT WITHOUT EXPLICIT WRITTEN PERMISSION

SCALE:  
NOT TO SCALE

TITLE:  
PORTABLE FHD 1920 X 1080 MONITOR

DWG No:  
DWG007

REVISION:  
A

VERSION:  
VER.1.0.1

**C-VIGIL Ltd : marine (CVM)**  
www.cvigil.co.uk | support@cvigil.co.uk | +44 (0)1244 879 279

DATE:  
Apr-21

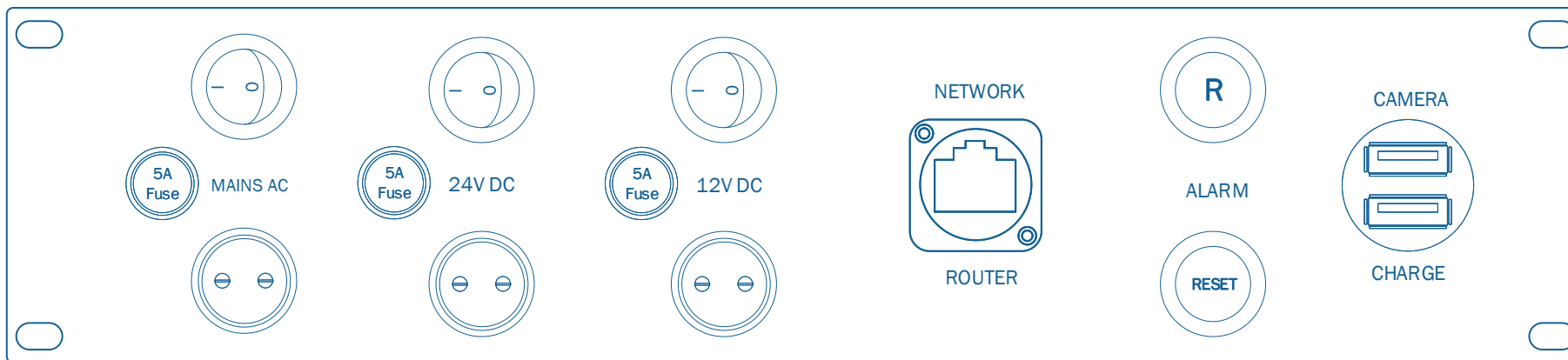
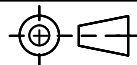
SHEET No:  
7 of 8

DRAWN BY:  
SS

PROJECT

kwikCAM - Rapid Deployment CCTV

PROJECTION:



THESE DRAWINGS AND SPECIFICATIONS ARE THE PROPERTY OF C-VIGIL LTD AND SHALL NOT BE REPRODUCED, COPIED OR USED AS THE BASIS FOR THE MANUFACTURE OR SALE OF EQUIPMENT WITHOUT EXPLICIT WRITTEN PERMISSION

SCALE:  
NOT TO SCALE

TITLE:  
POWER / ALARM PLATE

DWG No:  
DWG008

REVISION:  
A

VERSION:  
VER.1.0.1

C-VIGIL Ltd : marine (CVM)  
www.cvigil.co.uk | support@cvigil.co.uk | +44 (0)1244 879 279

DATE:  
Apr-21

SHEET No:  
8 of 8

DRAWN BY:  
SS