

C-VIGIL Ltd : marine (CVM)

Marine Safety & Security Systems

GUARDIAN SYSTEMS

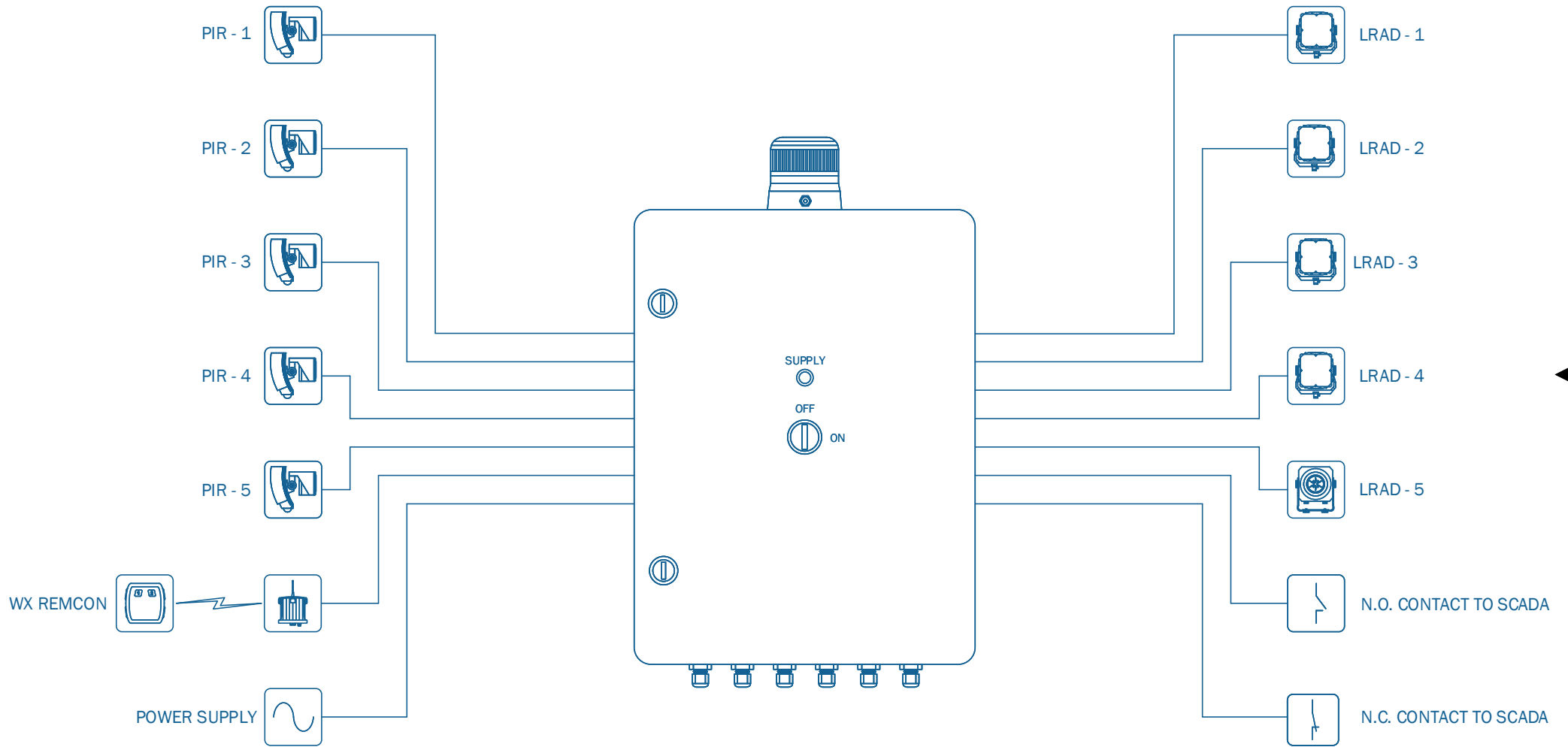
guardianKLARION
Acoustic Area Denial

GUARDIAN KLARION

Technical Drawings & Schematics



C-VIGIL Ltd : marine (CVM)
'The Barn', Bryntirion Road
Bagillt, Flintshire
CH6 6DS, UK
+44 (0)1244 279 879
support@cvigil.co.uk :- www. cvigil.co.uk



THESE DRAWINGS AND SPECIFICATIONS ARE THE PROPERTY OF C-VIGIL LTD AND SHALL NOT BE REPRODUCED, COPIED OR USED AS THE BASIS FOR THE MANUFACTURE OR SALE OF EQUIPMENT WITHOUT EXPLICIT WRITTEN PERMISSION

SCALE:
NOT TO SCALE

VERSION:
VER.1.0.1

TITLE:

SYSTEM OVERVIEW

C-VIGIL Ltd : marine (CVM)

www.cvigil.co.uk | support@cvigil.co.uk | +44 (0)1244 879 279

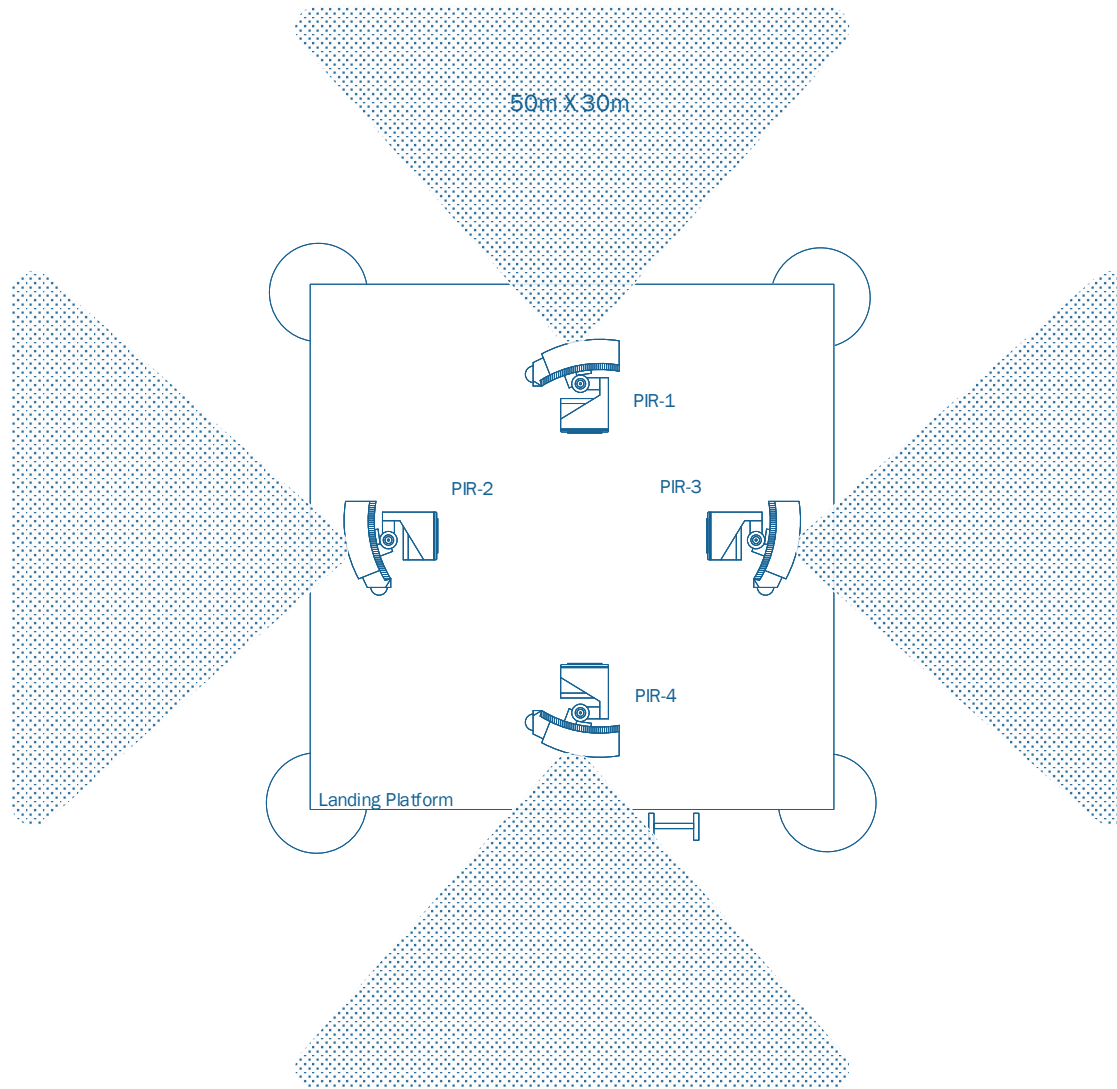
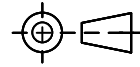
DWG No:
DWG001

DATE:
Mar-21

SHEET No:
1 of 22

REVISION:
A

DRAWN BY:
SS



THESE DRAWINGS AND SPECIFICATIONS ARE THE PROPERTY OF C-VIGIL LTD AND SHALL NOT BE REPRODUCED, COPIED OR USED AS THE BASIS FOR THE MANUFACTURE OR SALE OF EQUIPMENT WITHOUT EXPLICIT WRITTEN PERMISSION

SCALE:
NOT TO SCALE

VERSION:
VER.1.0.1

TITLE:
OUTWARD FACING PIR DEPLOYMENT – TOP VIEW

C-VIGIL Ltd : marine (CVM)
www.cvigil.co.uk | support@cvigil.co.uk | +44 (0)1244 879 279

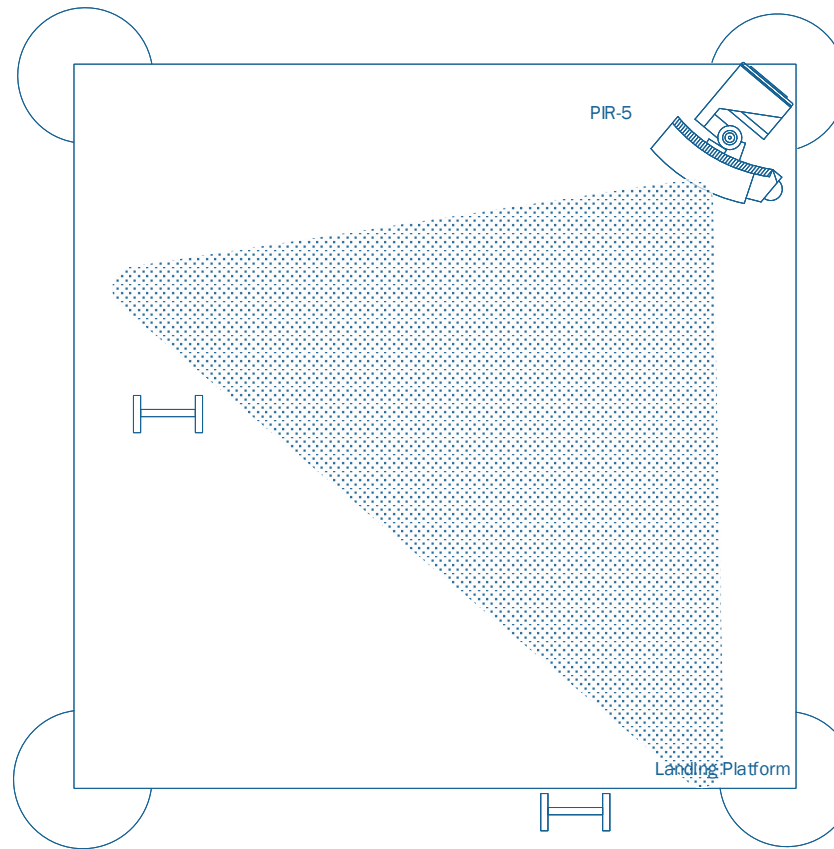
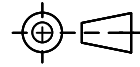
DWG No:
DWG002

DATE:
Mar-21

SHEET No:
2 of 22

REVISION:
A

DRAWN BY:
SS



THESE DRAWINGS AND SPECIFICATIONS ARE THE PROPERTY OF C-VIGIL LTD AND SHALL NOT BE REPRODUCED, COPIED OR USED AS THE BASIS FOR THE MANUFACTURE OR SALE OF EQUIPMENT WITHOUT EXPLICIT WRITTEN PERMISSION

SCALE:
NOT TO SCALE

VERSION:
VER.1.0.1

TITLE:
INWARD FACING PIR DEPLOYMENT – TOP VIEW

C-VIGIL Ltd : marine (CVM)
www.cvigil.co.uk | support@cvigil.co.uk | +44 (0)1244 879 279

DWG No:
DWG003

DATE:
Mar-21

SHEET No:
3 of 22

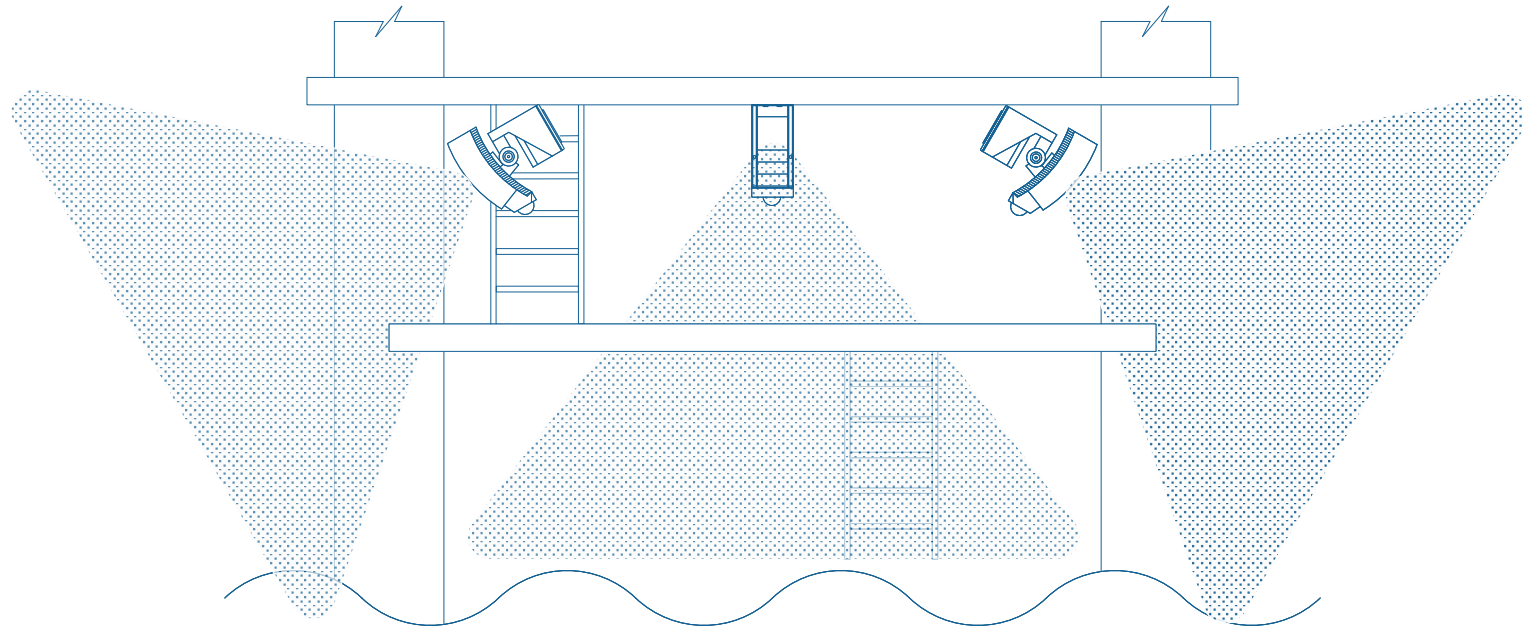
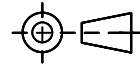
REVISION:
A

DRAWN BY:
SS

PROJECT / VESSEL

GUARDIAN : KLARION

PROJECTION:



THESE DRAWINGS AND SPECIFICATIONS ARE THE PROPERTY OF C-VIGIL LTD AND SHALL NOT BE REPRODUCED, COPIED OR USED AS THE BASIS FOR THE MANUFACTURE OR SALE OF EQUIPMENT WITHOUT EXPLICIT WRITTEN PERMISSION

SCALE:
NOT TO SCALE

VERSION:
VER.1.0.1

TITLE:
OUTWARD FACING PIR DEPLOYMENT – SIDE VIEW

C-VIGIL Ltd : marine (CVM)
www.cvigil.co.uk | support@cvigil.co.uk | +44 (0)1244 879 279

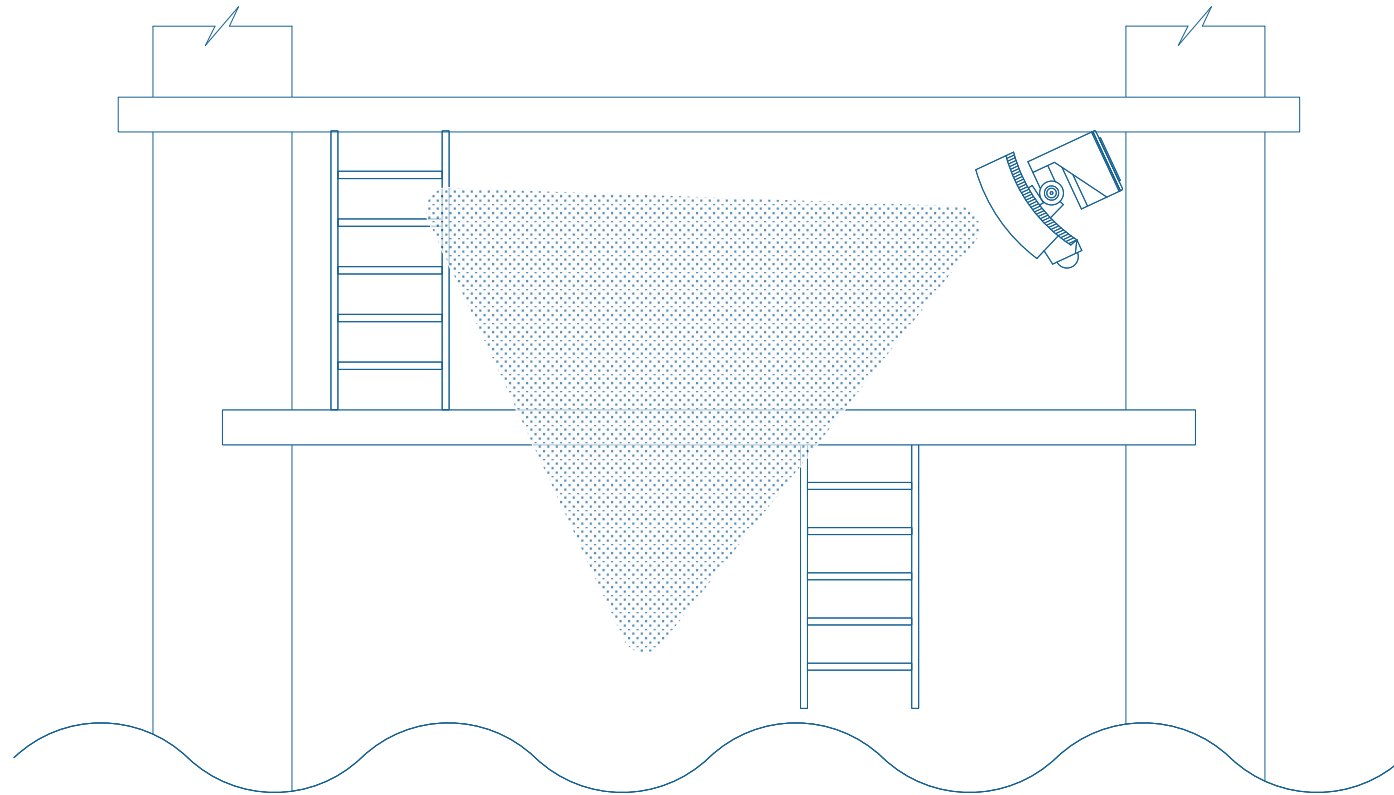
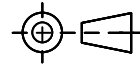
DWG No:

DATE:
Mar-2020

SHEET No:
0044 of 22

REVISION:
A

DRAWN BY:
SS



THESE DRAWINGS AND SPECIFICATIONS ARE THE PROPERTY OF C-VIGIL LTD AND SHALL NOT BE REPRODUCED, COPIED OR USED AS THE BASIS FOR THE MANUFACTURE OR SALE OF EQUIPMENT WITHOUT EXPLICIT WRITTEN PERMISSION

SCALE:
NOT TO SCALE

VERSION:
VER.1.0.1

TITLE:
INWARD FACING PIR DEPLOYMENT – SIDE VIEW

C-VIGIL Ltd : marine (CVM)
www.cvigil.co.uk | support@cvigil.co.uk | +44 (0)1244 879 279

DWG No:
DWG005

DATE:
Mar-21

SHEET No:
5 of 22

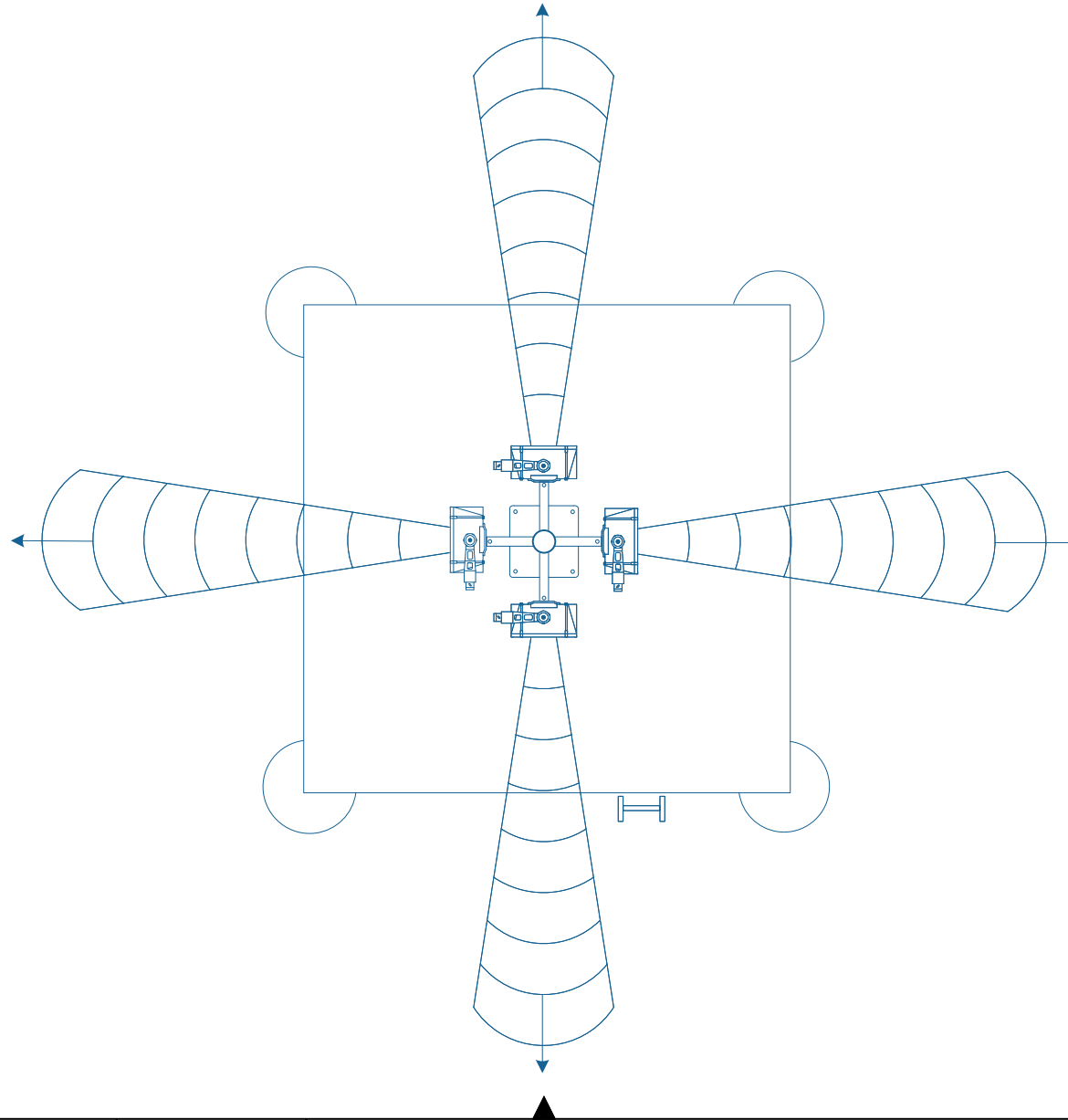
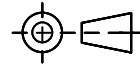
REVISION:
A

DRAWN BY:
SS

PROJECT / VESSEL

GUARDIAN : KLARION

PROJECTION:



THESE DRAWINGS AND SPECIFICATIONS ARE THE PROPERTY OF C-VIGIL LTD AND SHALL NOT BE REPRODUCED, COPIED OR USED AS THE BASIS FOR THE MANUFACTURE OR SALE OF EQUIPMENT WITHOUT EXPLICIT WRITTEN PERMISSION

SCALE:
NOT TO SCALE

VERSION:
VER.1.0.1

TITLE:
OUTWARD FACING LRAD DEPLOYMENT – TOP VIEW

C-VIGIL Ltd : marine (CVM)
www.cvigil.co.uk | support@cvigil.co.uk | +44 (0)1244 879 279

DWG No:
DWG006

DATE:
Mar-21

SHEET No:
6 of 22

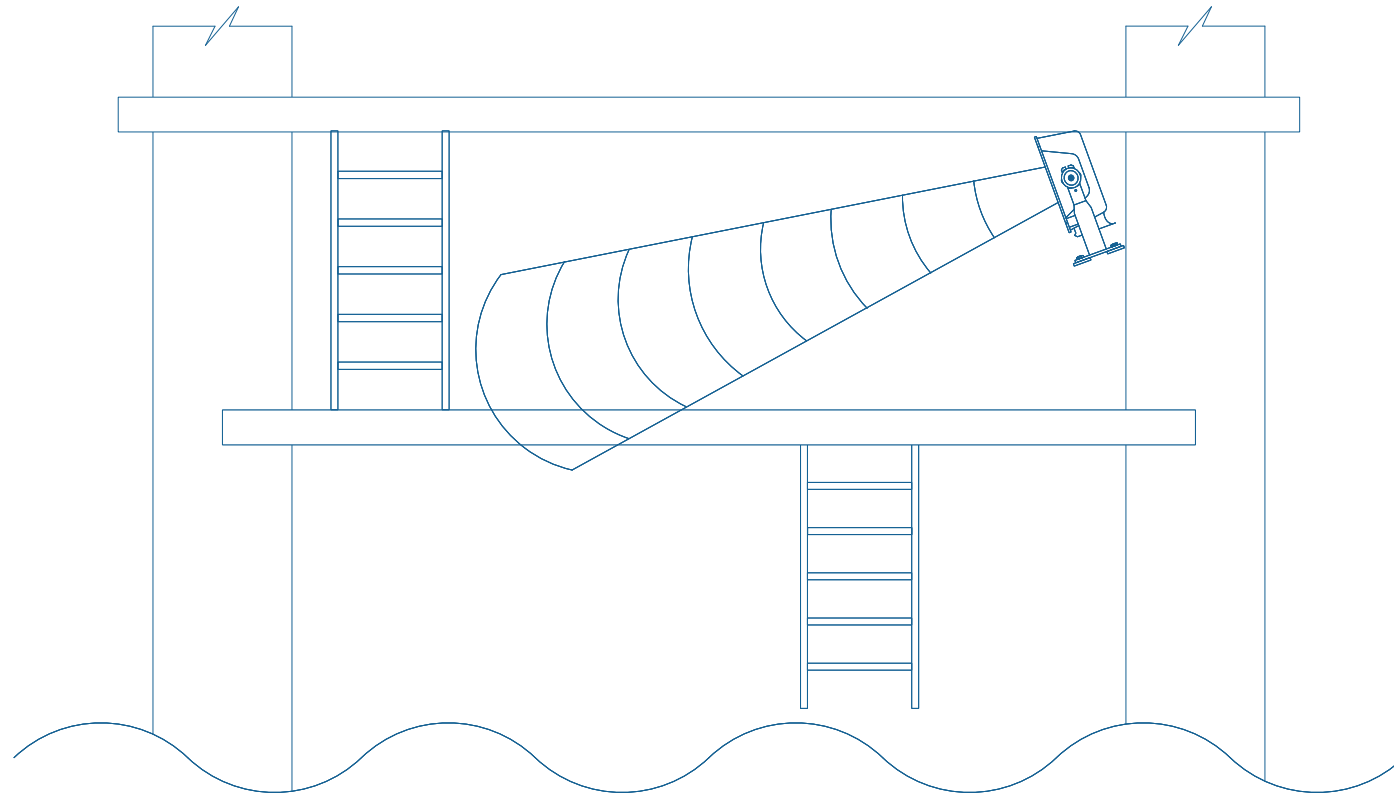
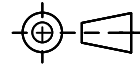
REVISION:
A

DRAWN BY:
SS

PROJECT / VESSEL

GUARDIAN : KLARION

PROJECTION:



THESE DRAWINGS AND SPECIFICATIONS ARE THE PROPERTY OF C-VIGIL LTD AND SHALL NOT BE REPRODUCED, COPIED OR USED AS THE BASIS FOR THE MANUFACTURE OR SALE OF EQUIPMENT WITHOUT EXPLICIT WRITTEN PERMISSION

SCALE:
NOT TO SCALE

VERSION:
VER.1.0.1

TITLE:
INWARD FACING LRAD DEPLOYMENT – SIDE VIEW

C-VIGIL Ltd : marine (CVM)
www.cvigil.co.uk | support@cvigil.co.uk | +44 (0)1244 879 279

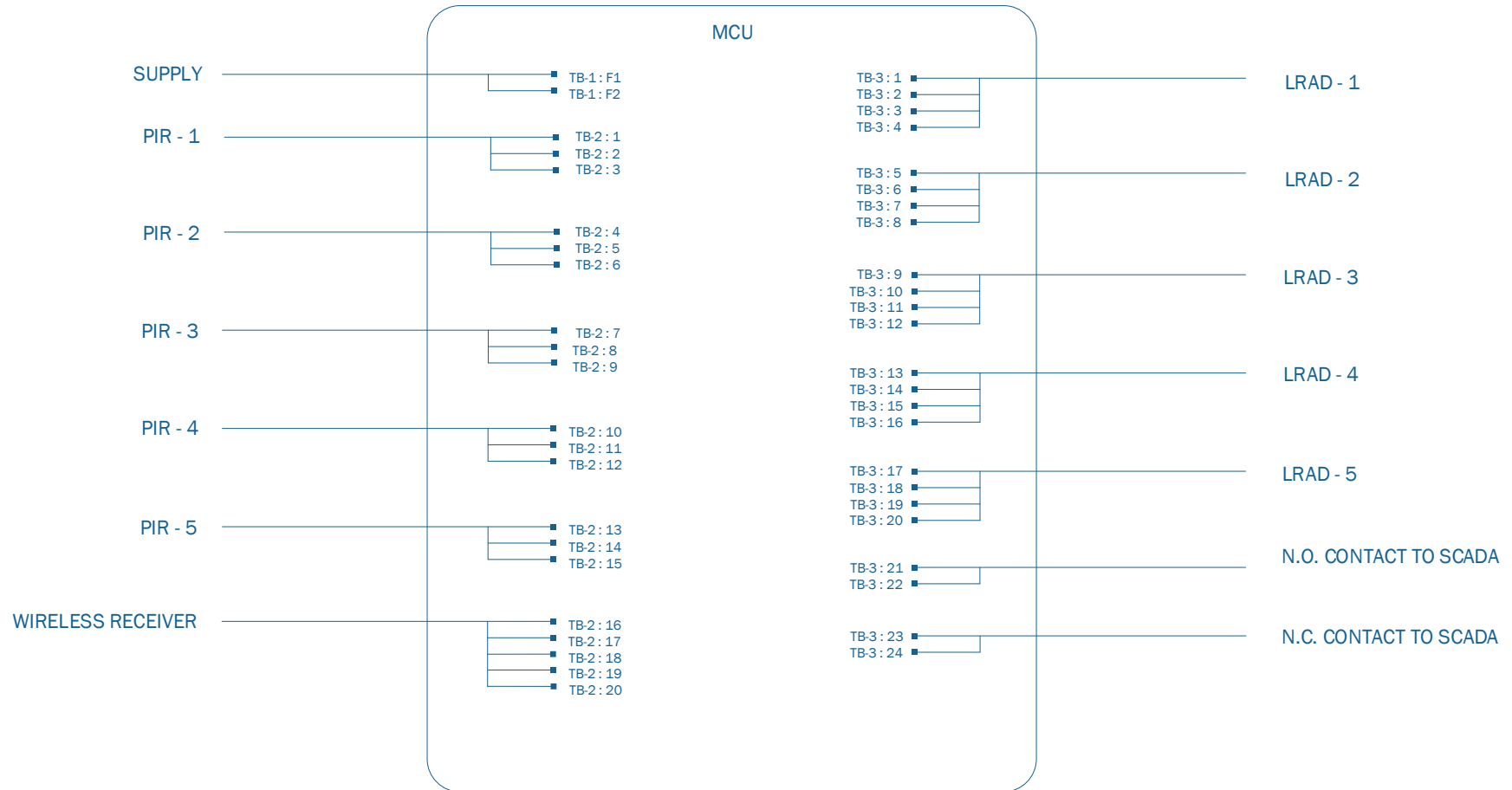
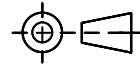
DWG No:
DWG007

DATE:
Mar-21

SHEET No:
7 of 22

REVISION:
A

DRAWN BY:
SS



THESE DRAWINGS AND SPECIFICATIONS ARE THE PROPERTY OF C-VIGIL LTD AND SHALL NOT BE REPRODUCED, COPIED OR USED AS THE BASIS FOR THE MANUFACTURE OR SALE OF EQUIPMENT WITHOUT EXPLICIT WRITTEN PERMISSION

SCALE:
NOT TO SCALE

VERSION:
VER.1.0.1

TITLE:

WIRING OVERVIEW

C-VIGIL Ltd : marine (CVM)

www.cvigil.co.uk | support@cvigil.co.uk | +44 (0)1244 879 279

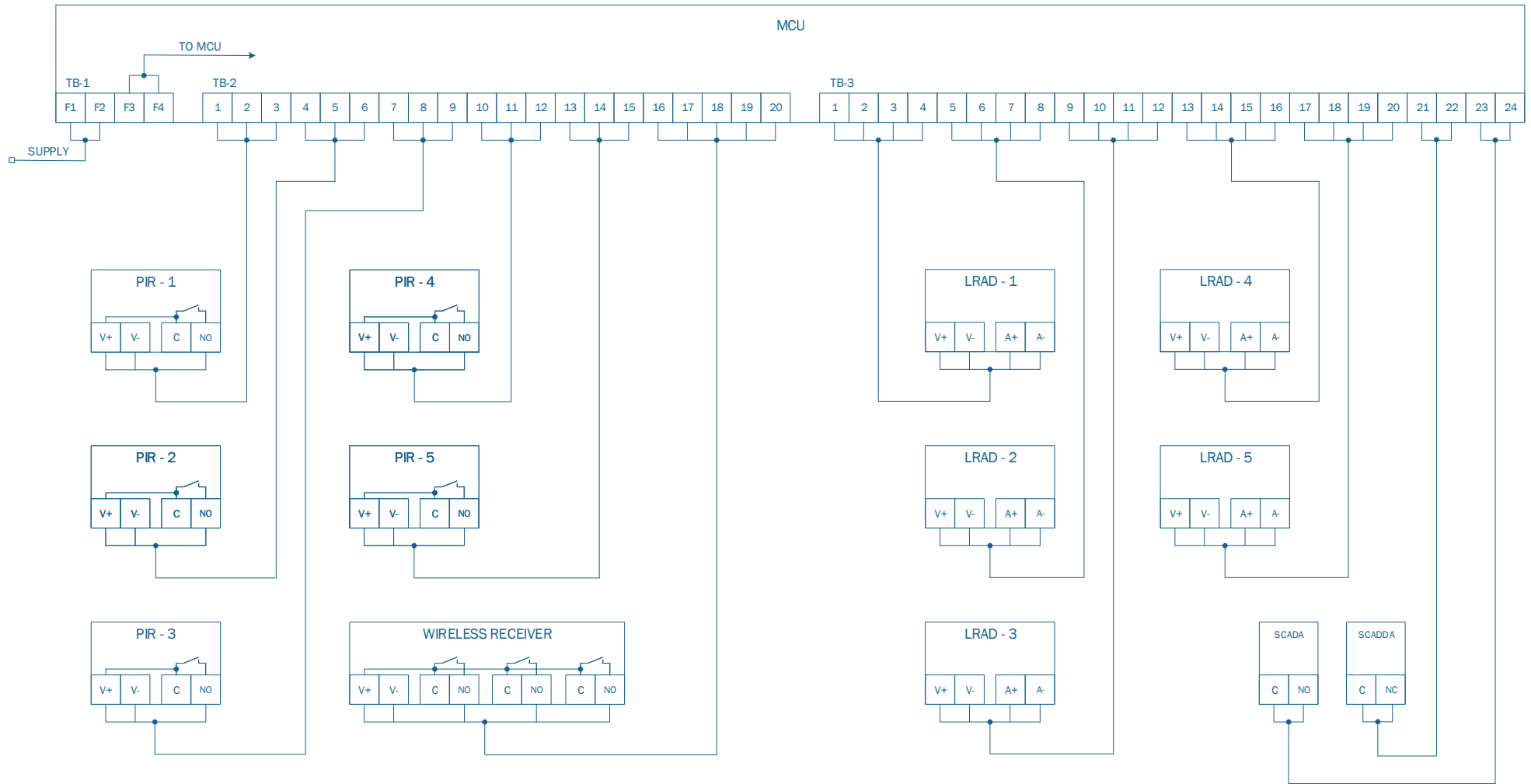
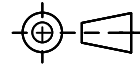
DWG No:
DWG008

DATE:
Mar-21

SHEET No:
8 of 22

REVISION:
A

DRAWN BY:
SS



THESE DRAWINGS AND SPECIFICATIONS ARE THE PROPERTY OF C-VIGIL LTD AND SHALL NOT BE REPRODUCED, COPIED OR USED AS THE BASIS FOR THE MANUFACTURE OR SALE OF EQUIPMENT WITHOUT EXPLICIT WRITTEN PERMISSION

SCALE:
NOT TO SCALE

VERSION:
VER.1.0.1

TITLE:

INTERCONNECTIONS

C-VIGIL Ltd : marine (CVM)

www.cvigil.co.uk | support@cvigil.co.uk | +44 (0)1244 879 279

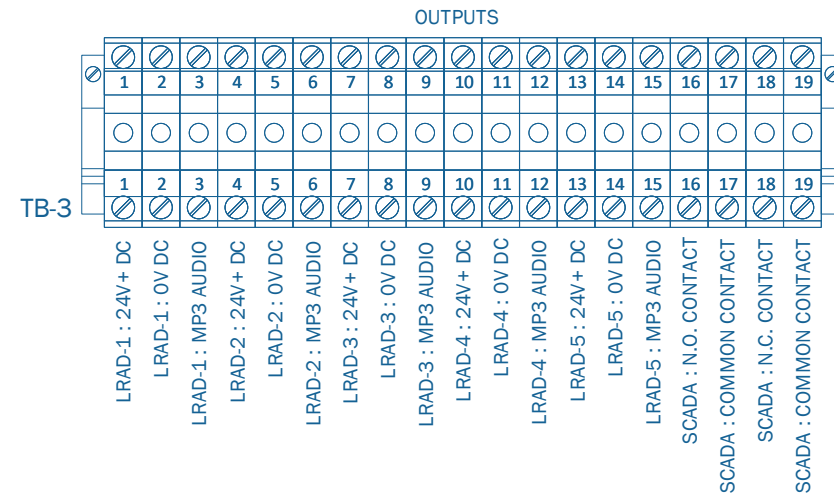
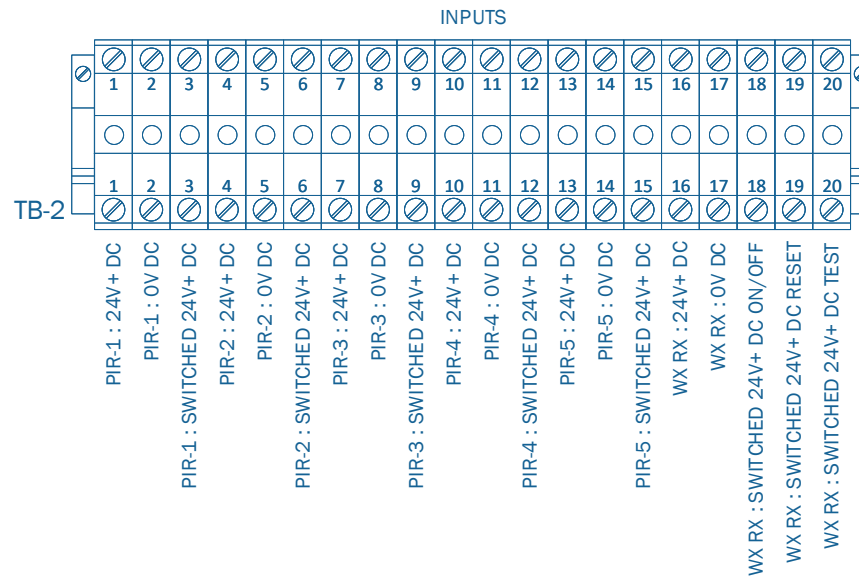
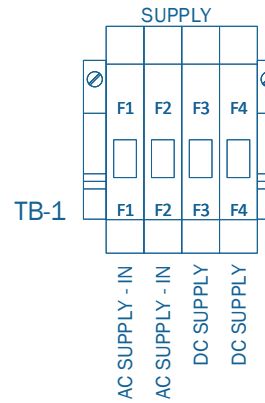
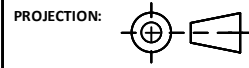
DWG No:
DWG010

DATE:
Mar-21

SHEET No:
9 of 22

REVISION:
A

DRAWN BY:
SS



THESE DRAWINGS AND SPECIFICATIONS ARE THE PROPERTY OF C-VIGIL LTD AND SHALL NOT BE REPRODUCED, COPIED OR USED AS THE BASIS FOR THE MANUFACTURE OR SALE OF EQUIPMENT WITHOUT EXPLICIT WRITTEN PERMISSION

SCALE:
NOT TO SCALE

VERSION:
VER.1.0.1

TITLE:

TB-1 | TB-2 | TB-3

C-VIGIL Ltd : marine (CVM)

www.cvigil.co.uk | support@cvigil.co.uk | +44 (0)1244 879 279

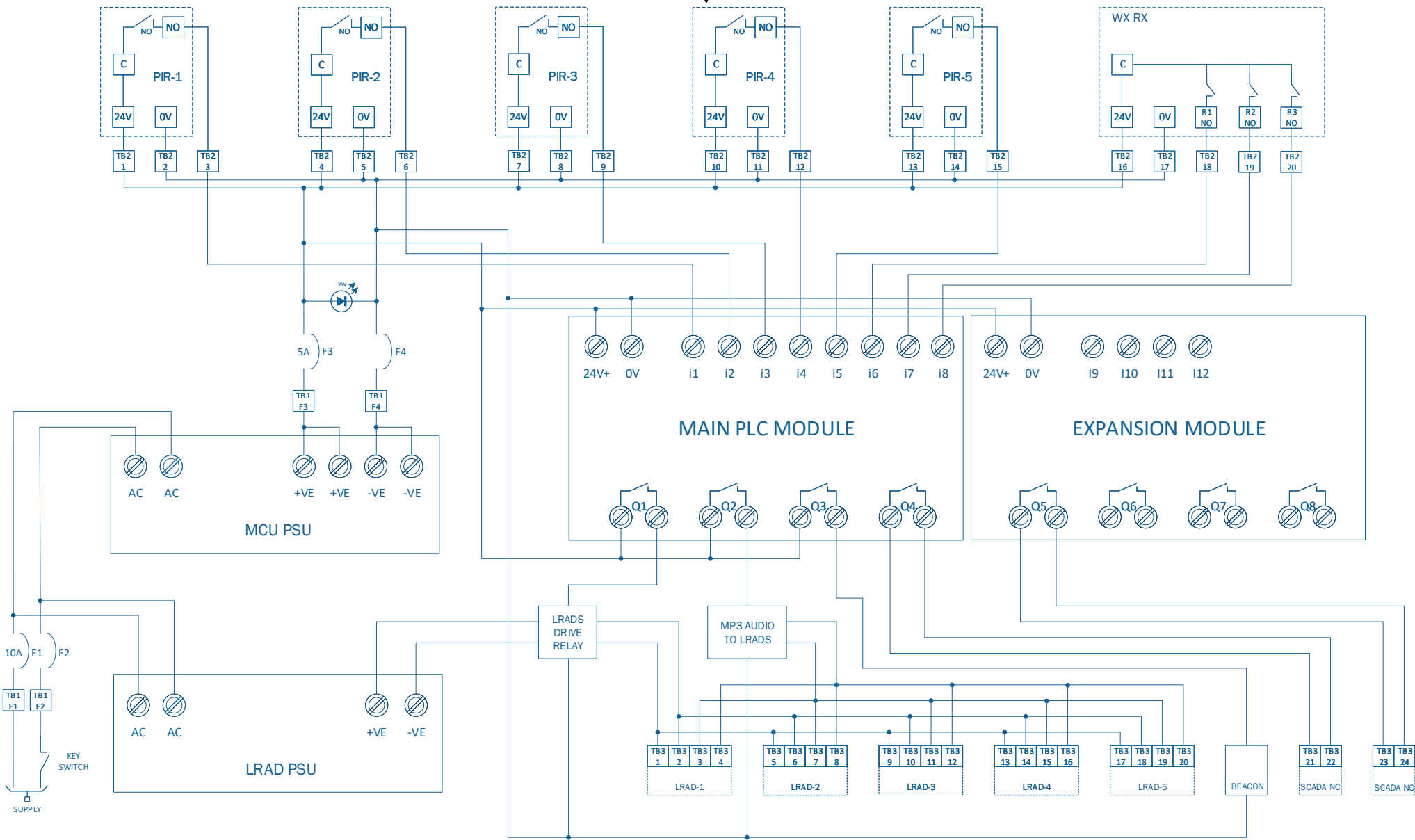
DWG No:
DWG001

DATE:
Mar-21

SHEET No:
10 of 22

REVISION:
A

DRAWN BY:
SS



THESE DRAWINGS AND SPECIFICATIONS ARE THE PROPERTY OF C-VIGIL LTD AND SHALL NOT BE REPRODUCED, COPIED OR USED AS THE BASIS FOR THE MANUFACTURE OR SALE OF EQUIPMENT WITHOUT EXPLICIT WRITTEN PERMISSION

SCALE:
NOT TO SCALE

VERSION:
VER.1.0.1

TITLE:

SYSTEM WIRING

C-VIGIL Ltd : marine (CVM)

www.cvigil.co.uk | support@cvigil.co.uk | +44 (0)1244 879 279

DWG No:
DWG011

DATE:
Mar-21

SHEET No:
11 of 22

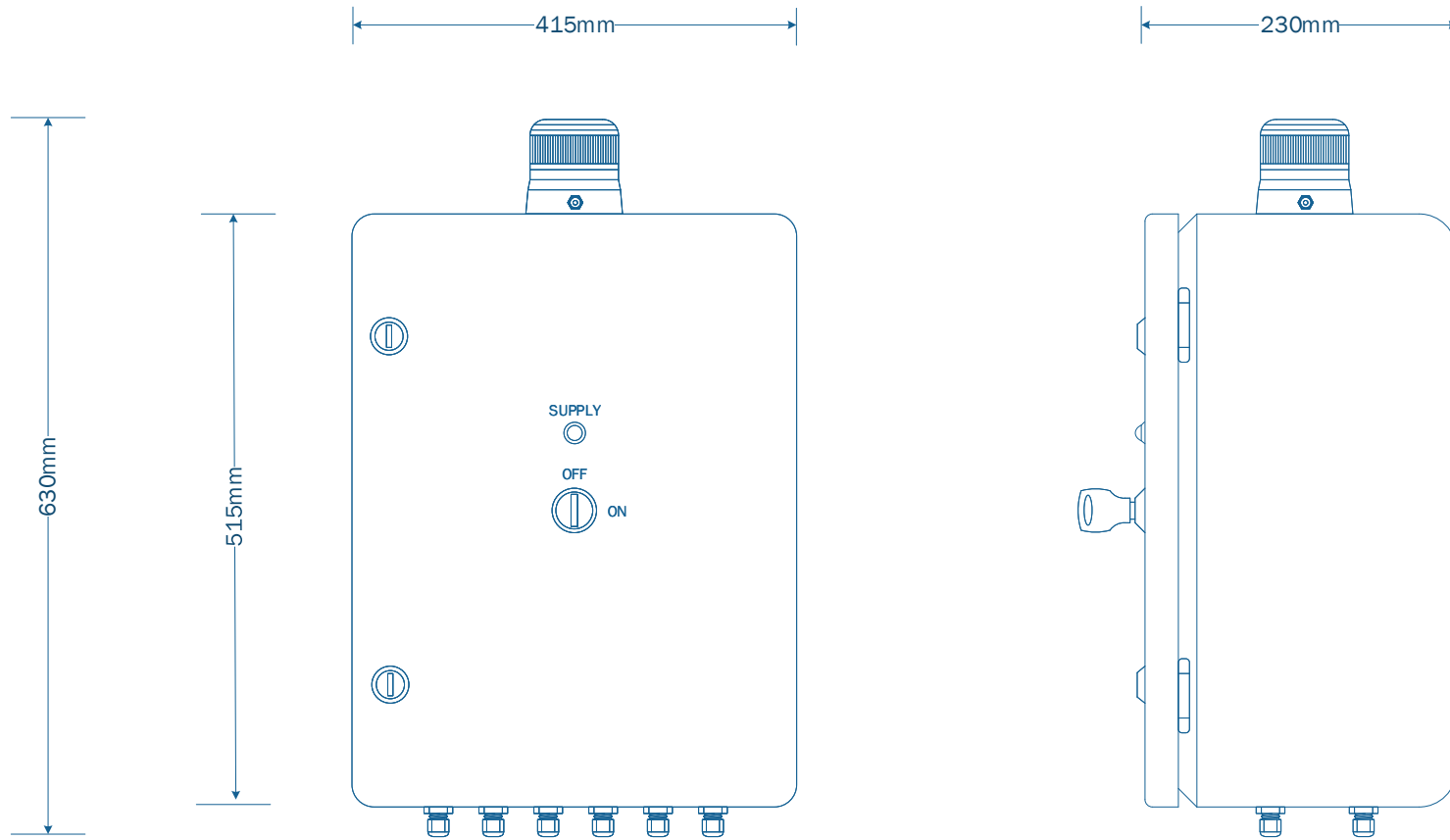
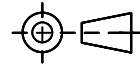
REVISION:
A

DRAWN BY:
SS

PROJECT / VESSEL

GUARDIAN : AUTOGUARD

PROJECTION:



THESE DRAWINGS AND SPECIFICATIONS ARE THE PROPERTY OF C-VIGIL LTD AND SHALL NOT BE REPRODUCED, COPIED OR USED AS THE BASIS FOR THE MANUFACTURE OR SALE OF EQUIPMENT WITHOUT EXPLICIT WRITTEN PERMISSION

SCALE:
NOT TO SCALE

TITLE:

MCU

DWG No:
DWG012

REVISION:
A

VERSION:
VER.1.0.1

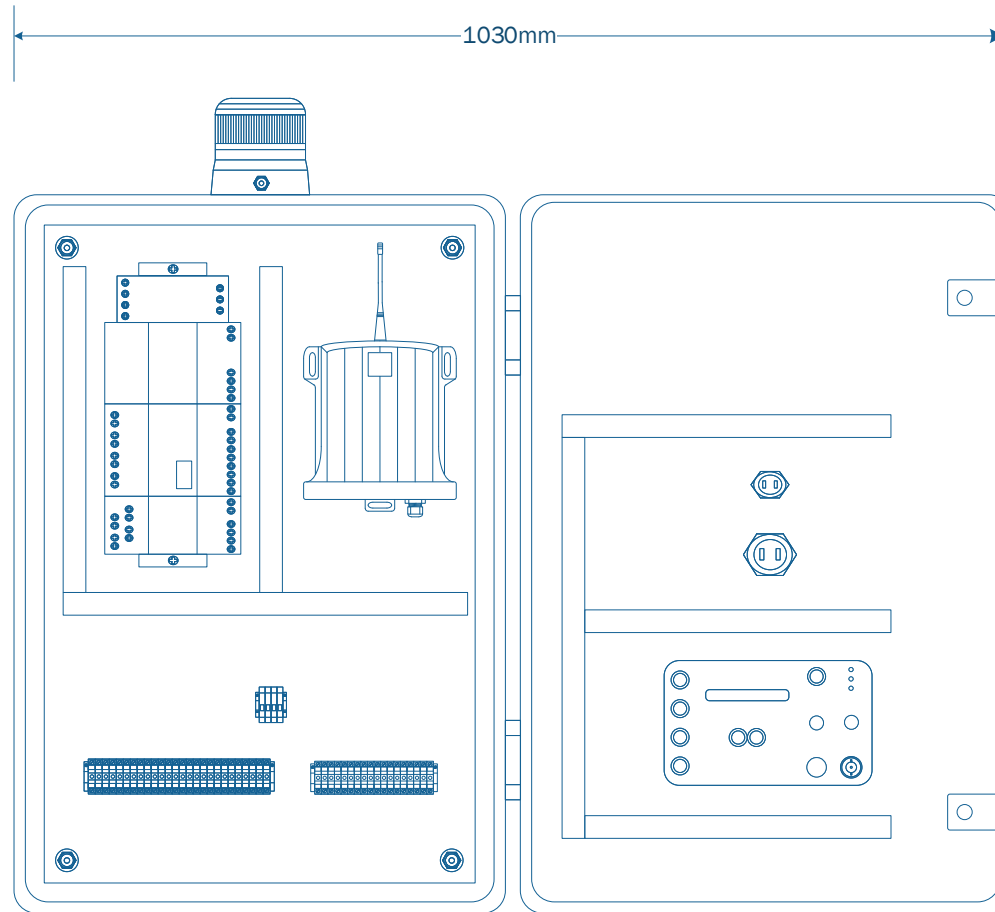
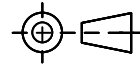
C-VIGIL Ltd : marine (CVM)

www.cvigil.co.uk | support@cvigil.co.uk | +44 (0)1244 879 279

DATE:
Mar-21

SHEET No:
12 of 22

DRAWN BY:
SS



THESE DRAWINGS AND SPECIFICATIONS ARE THE PROPERTY OF C-VIGIL LTD AND SHALL NOT BE REPRODUCED, COPIED OR USED AS THE BASIS FOR THE MANUFACTURE OR SALE OF EQUIPMENT WITHOUT EXPLICIT WRITTEN PERMISSION

SCALE:
NOT TO SCALE

VERSION:
VER.1.0.1

TITLE:

MCU LAYOUT

C-VIGIL Ltd : marine (CVM)

www.cvigil.co.uk | support@cvigil.co.uk | +44 (0)1244 879 279

DWG No:
DWG013

DATE:
Mar-21

SHEET No:
13 of 22

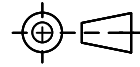
REVISION:
A

DRAWN BY:
SS

PROJECT / VESSEL

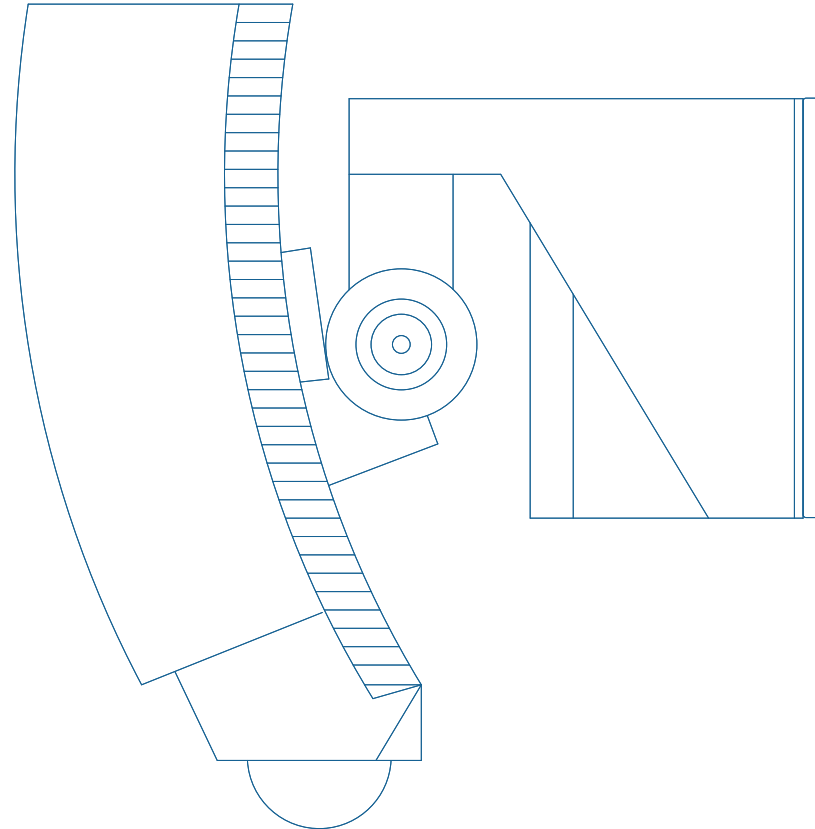
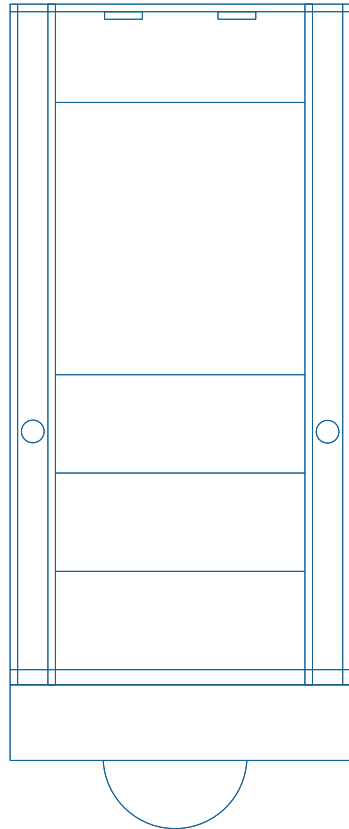
GUARDIAN : KLARION

PROJECTION:



102mm

280mm



247mm



THESE DRAWINGS AND SPECIFICATIONS ARE THE PROPERTY OF C-VIGIL LTD AND SHALL NOT BE REPRODUCED, COPIED OR USED AS THE BASIS FOR THE MANUFACTURE OR SALE OF EQUIPMENT WITHOUT EXPLICIT WRITTEN PERMISSION

SCALE:
NOT TO SCALE

TITLE:

PIR MOTION DETECTOR

DWG No:
DWG014

REVISION:
A

VERSION:
VER.1.0.1

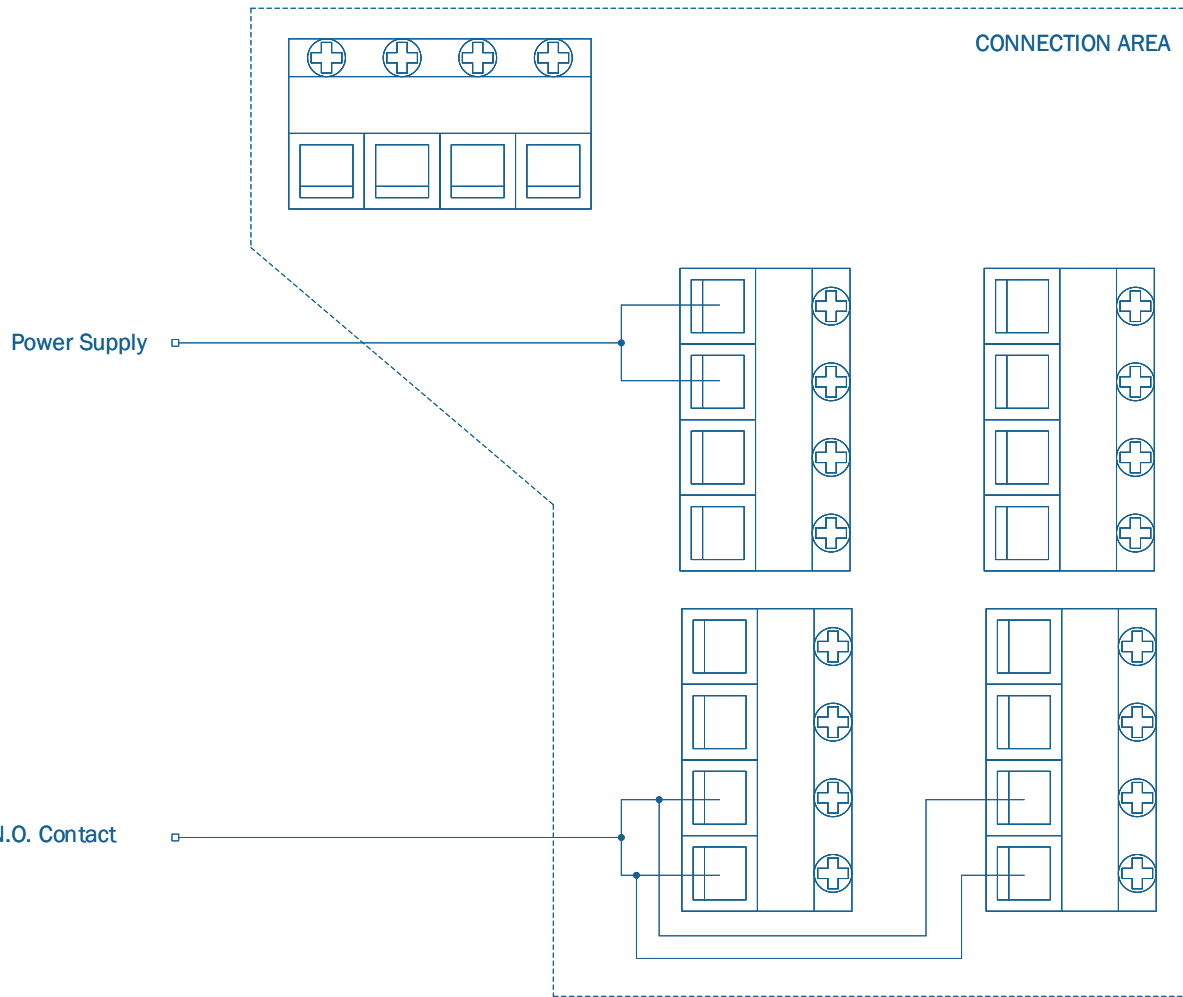
C-VIGIL Ltd : marine (CVM)

www.cvigil.co.uk | support@cvigil.co.uk | +44 (0)1244 879 279

DATE:
Mar-21

SHEET No:
14 of 22

DRAWN BY:
SS



THESE DRAWINGS AND SPECIFICATIONS ARE THE PROPERTY OF C-VIGIL LTD AND SHALL NOT BE REPRODUCED, COPIED OR USED AS THE BASIS FOR THE MANUFACTURE OR SALE OF EQUIPMENT WITHOUT EXPLICIT WRITTEN PERMISSION

SCALE:
NOT TO SCALE

VERSION:
VER.1.0.1

TITLE:
PIR MOTION DETECTOR CONNECTION

C-VIGIL Ltd : marine (CVM)
www.cvigil.co.uk | support@cvigil.co.uk | +44 (0)1244 879 279

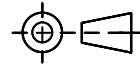
DWG No:
DWG015

DATE:
Mar-21

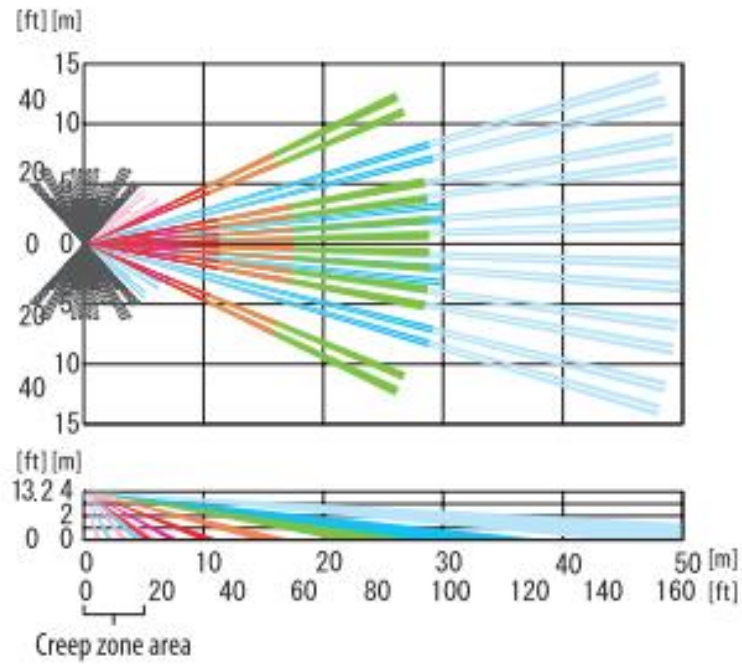
SHEET No:
15 of 22

REVISION:
A

DRAWN BY:
SS



SIP-5030



THESE DRAWINGS AND SPECIFICATIONS ARE THE PROPERTY OF C-VIGIL LTD AND SHALL NOT BE REPRODUCED, COPIED OR USED AS THE BASIS FOR THE MANUFACTURE OR SALE OF EQUIPMENT WITHOUT EXPLICIT WRITTEN PERMISSION

SCALE:
NOT TO SCALE

VERSION:
VER.1.0.1

TITLE:

PIR MOTION DETECTOR BEAM PATTERN

C-VIGIL Ltd : marine (CVM)

www.cvigil.co.uk | support@cvigil.co.uk | +44 (0)1244 879 279

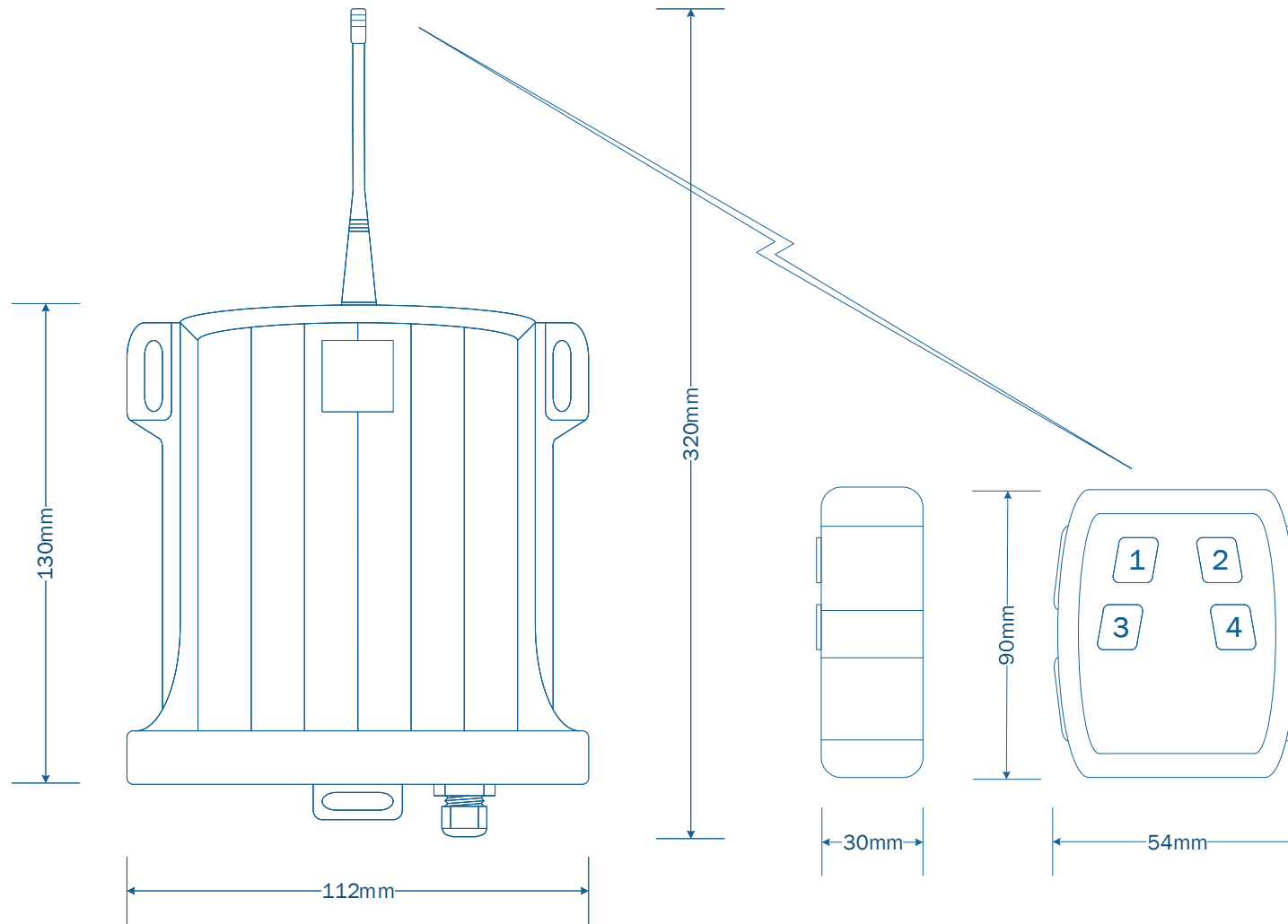
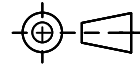
DWG No:
DWG016

DATE:
Mar-21

SHEET No:
16 of 22

REVISION:
A

DRAWN BY:
SS



THESE DRAWINGS AND SPECIFICATIONS ARE THE PROPERTY OF C-VIGIL LTD AND SHALL NOT BE REPRODUCED, COPIED OR USED AS THE BASIS FOR THE MANUFACTURE OR SALE OF EQUIPMENT WITHOUT EXPLICIT WRITTEN PERMISSION

SCALE:
NOT TO SCALE

VERSION:
VER.1.0.1

TITLE:

WIRELESS REMOTE CONTROL RX & TX

C-VIGIL Ltd : marine (CVM)

www.cvigil.co.uk | support@cvigil.co.uk | +44 (0)1244 879 279

DWG No:
DWG017

DATE:
Mar-21

SHEET No:
17 of 22

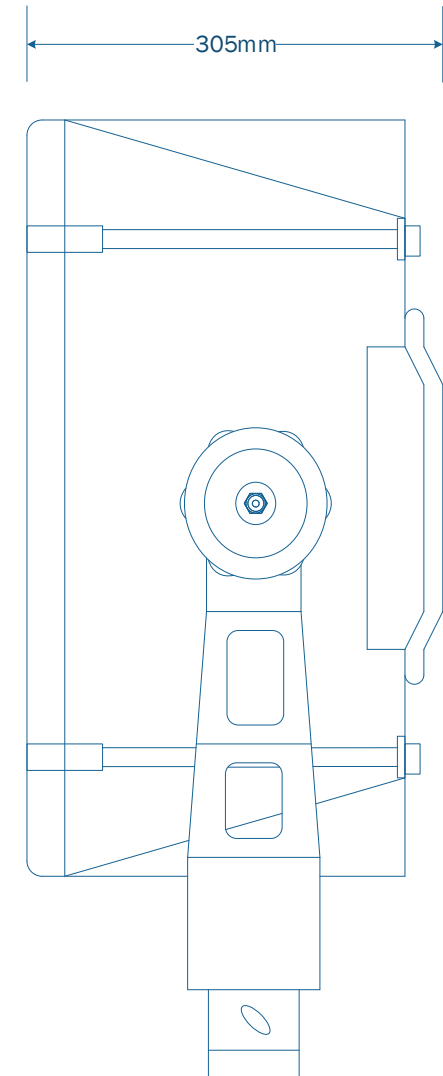
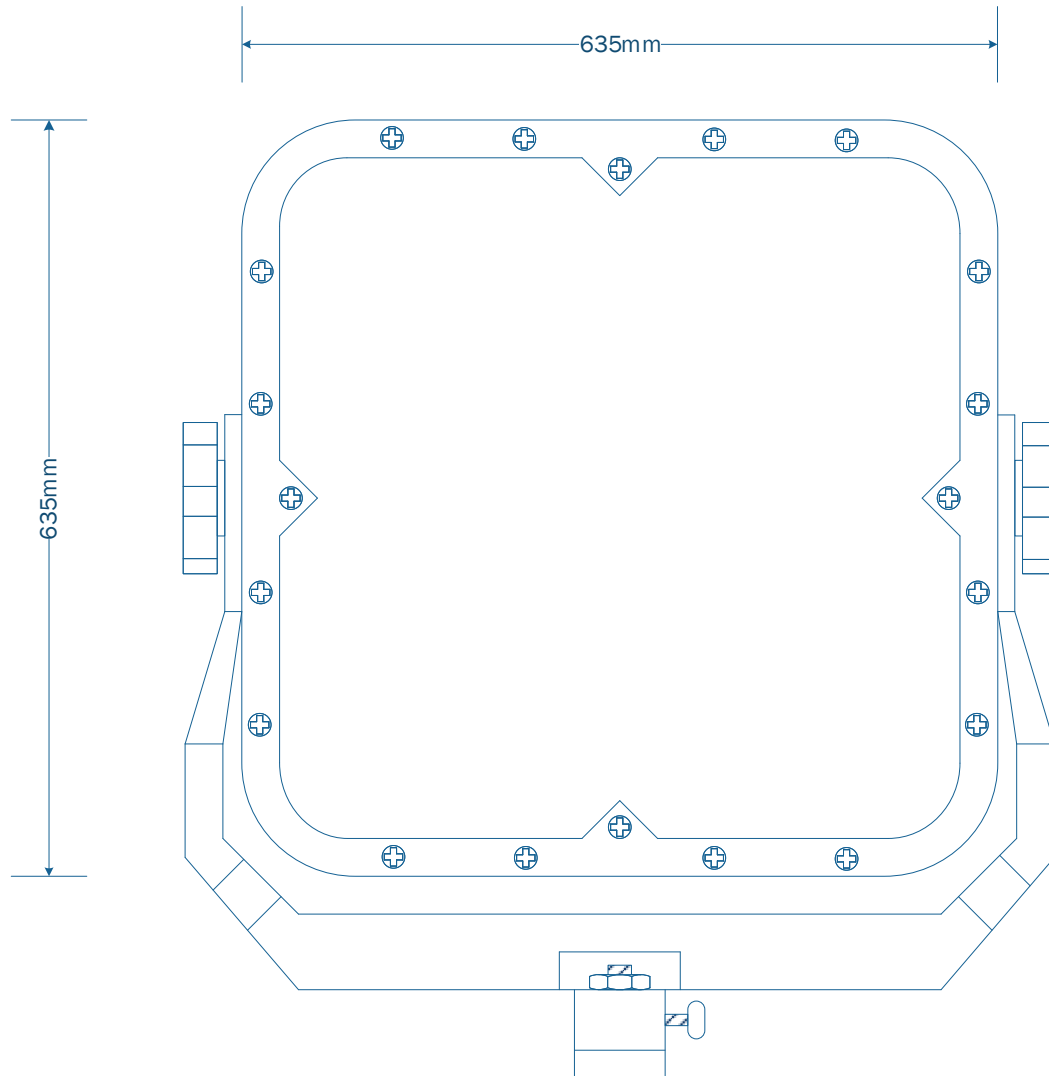
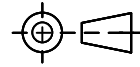
REVISION:
A

DRAWN BY:
SS

PROJECT / VESSEL

GUARDIAN : KLARION

PROJECTION:



THESE DRAWINGS AND SPECIFICATIONS ARE THE PROPERTY OF C-VIGIL LTD AND SHALL NOT BE REPRODUCED, COPIED OR USED AS THE BASIS FOR THE MANUFACTURE OR SALE OF EQUIPMENT WITHOUT EXPLICIT WRITTEN PERMISSION

SCALE:
NOT TO SCALE

VERSION:
VER.1.0.1

TITLE:

LRAD 500X RE

C-VIGIL Ltd : marine (CVM)

www.cvigil.co.uk | support@cvigil.co.uk | +44 (0)1244 879 279

DWG No:
DWG018

DATE:
Mar-21

SHEET No:
18 of 22

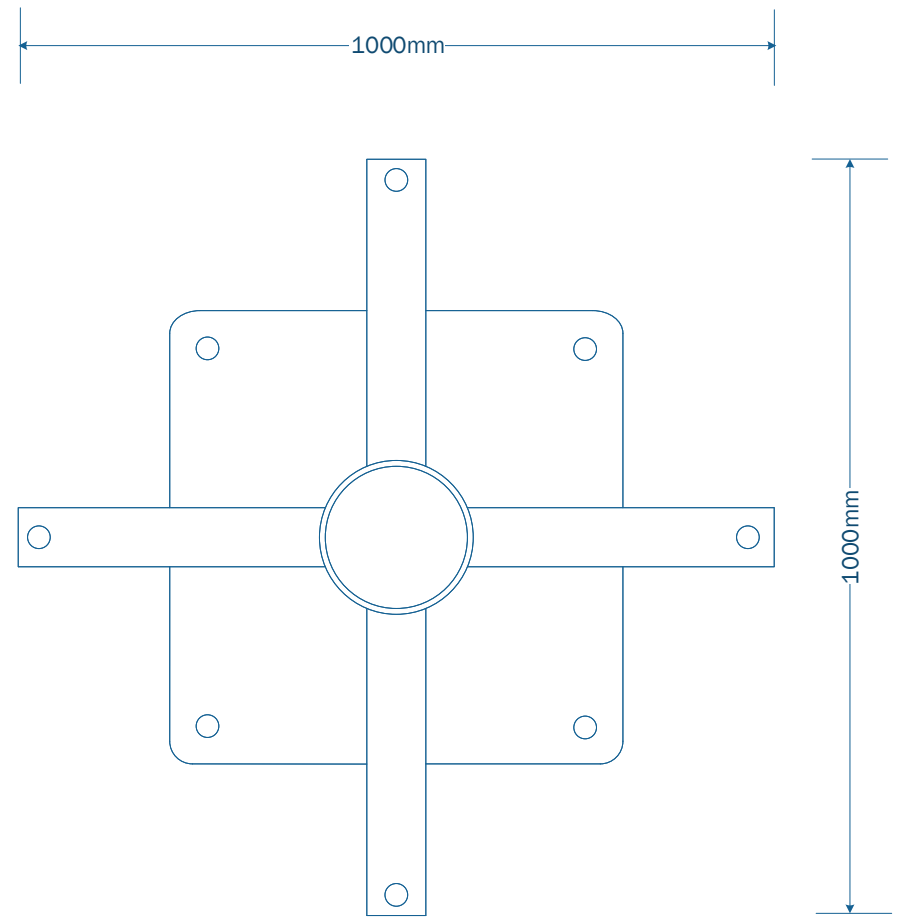
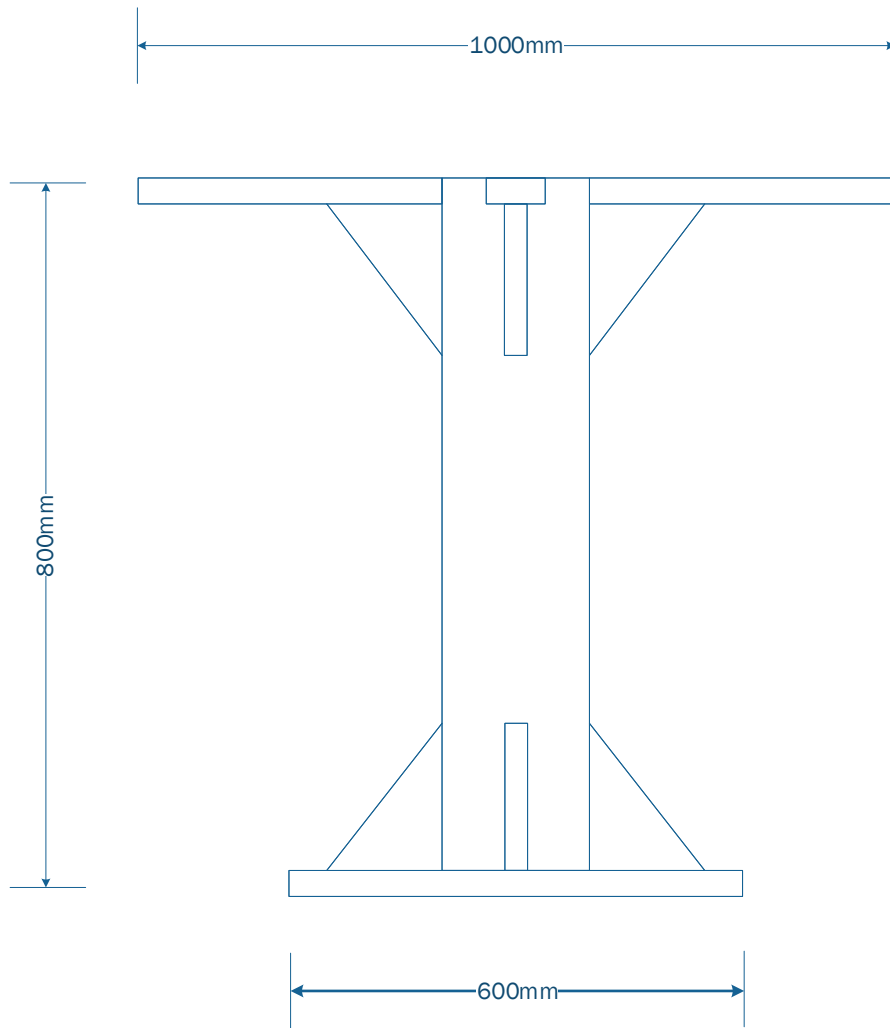
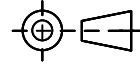
REVISION:
A

DRAWN BY:
SS

PROJECT / VESSEL

GUARDIAN : KLARION

PROJECTION:



THESE DRAWINGS AND SPECIFICATIONS ARE THE PROPERTY OF C-VIGIL LTD AND SHALL NOT BE REPRODUCED, COPIED OR USED AS THE BASIS FOR THE MANUFACTURE OR SALE OF EQUIPMENT WITHOUT EXPLICIT WRITTEN PERMISSION

SCALE:
NOT TO SCALE

VERSION:
VER.1.0.1

TITLE:

LRAD 500X RE MOUNTING STAND

C-VIGIL Ltd : marine (CVM)

www.cvigil.co.uk | support@cvigil.co.uk | +44 (0)1244 879 279

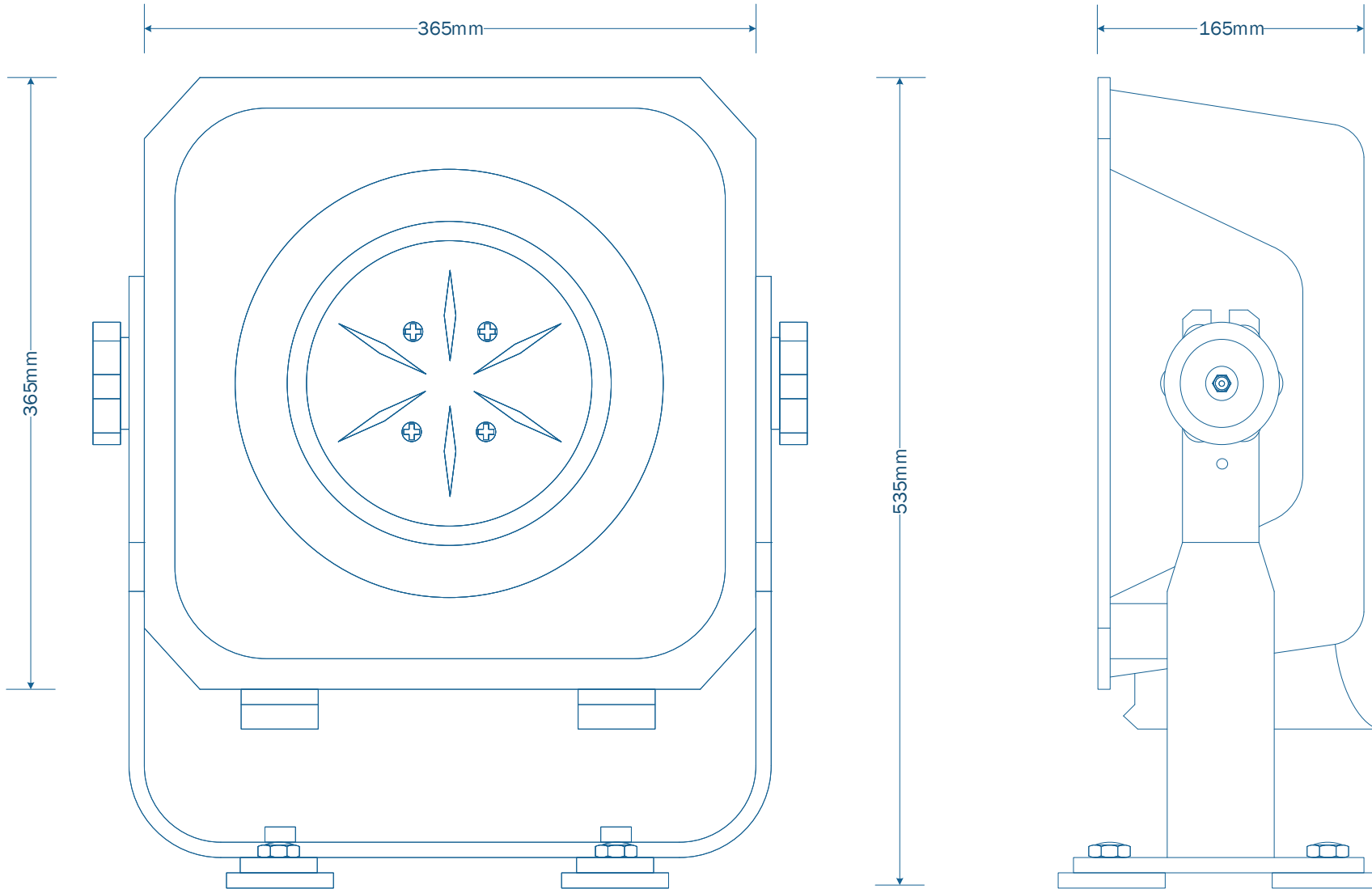
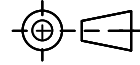
DWG No:
DWG019

DATE:
Mar-21

SHEET No:
19 of 22

REVISION:
A

DRAWN BY:
SS



THESE DRAWINGS AND SPECIFICATIONS ARE THE PROPERTY OF C-VIGIL LTD AND SHALL NOT BE REPRODUCED, COPIED OR USED AS THE BASIS FOR THE MANUFACTURE OR SALE OF EQUIPMENT WITHOUT EXPLICIT WRITTEN PERMISSION

SCALE:
NOT TO SCALE

VERSION:
VER.1.0.1

TITLE:

LRAD 100X

C-VIGIL Ltd : marine (CVM)

www.cvigil.co.uk | support@cvigil.co.uk | +44 (0)1244 879 279

DWG No:
DWG020

DATE:
Mar-21

SHEET No:
20 of 22

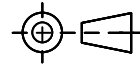
REVISION:
A

DRAWN BY:
SS

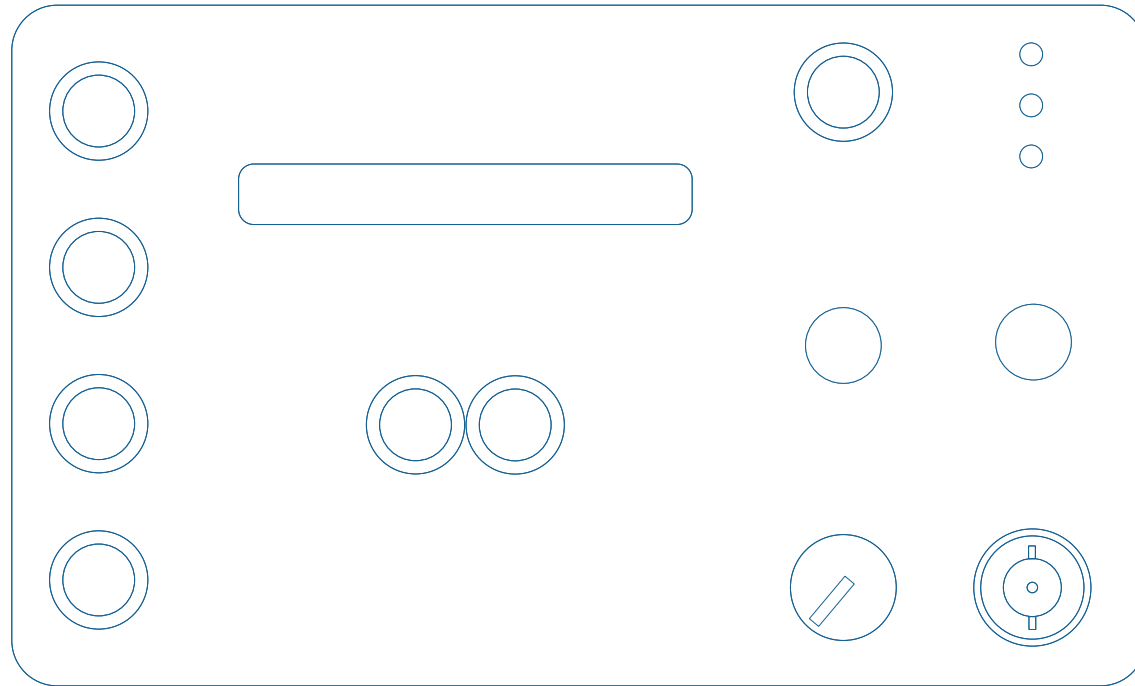
PROJECT / VESSEL

GUARDIAN : KLARION

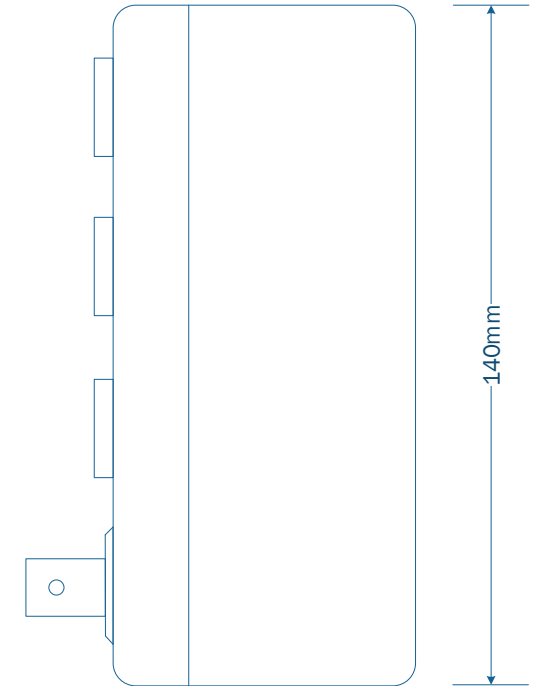
PROJECTION:



275mm



51mm



140mm



THESE DRAWINGS AND SPECIFICATIONS ARE THE PROPERTY OF C-VIGIL LTD AND SHALL NOT BE REPRODUCED, COPIED OR USED AS THE BASIS FOR THE MANUFACTURE OR SALE OF EQUIPMENT WITHOUT EXPLICIT WRITTEN PERMISSION

SCALE:
NOT TO SCALE

VERSION:
VER.1.0.1

TITLE:

LEAD MP3 AUDIO MESSAGE PLAYER

C-VIGIL Ltd : marine (CVM)

www.cvigil.co.uk | support@cvigil.co.uk | +44 (0)1244 879 279

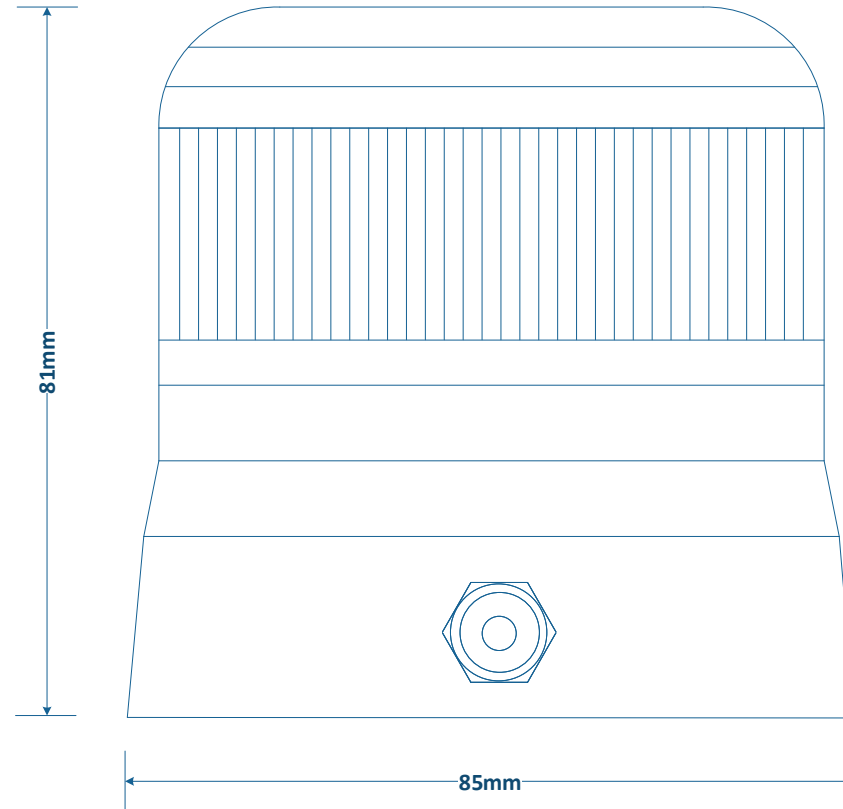
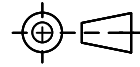
DWG No:
DWG021

DATE:
Mar-21

SHEET No:
21 of 22

REVISION:
A

DRAWN BY:
SS



THESE DRAWINGS AND SPECIFICATIONS ARE THE PROPERTY OF C-VIGIL LTD AND SHALL NOT BE REPRODUCED, COPIED OR USED AS THE BASIS FOR THE MANUFACTURE OR SALE OF EQUIPMENT WITHOUT EXPLICIT WRITTEN PERMISSION

SCALE:
NOT TO SCALE

VERSION:
VER.1.0.1

TITLE:

SYSTEM ARMED BEACON

C-VIGIL Ltd : marine (CVM)

www.cvigil.co.uk | support@cvigil.co.uk | +44 (0)1244 879 279

DWG No:
DWG022

DATE:
Mar-21

SHEET No:
22 of 22

REVISION:
A

DRAWN BY:
SS