

C-VIGIL Ltd : marine (CVM)

Marine Safety & Security Systems

GUARDIAN SYSTEMS

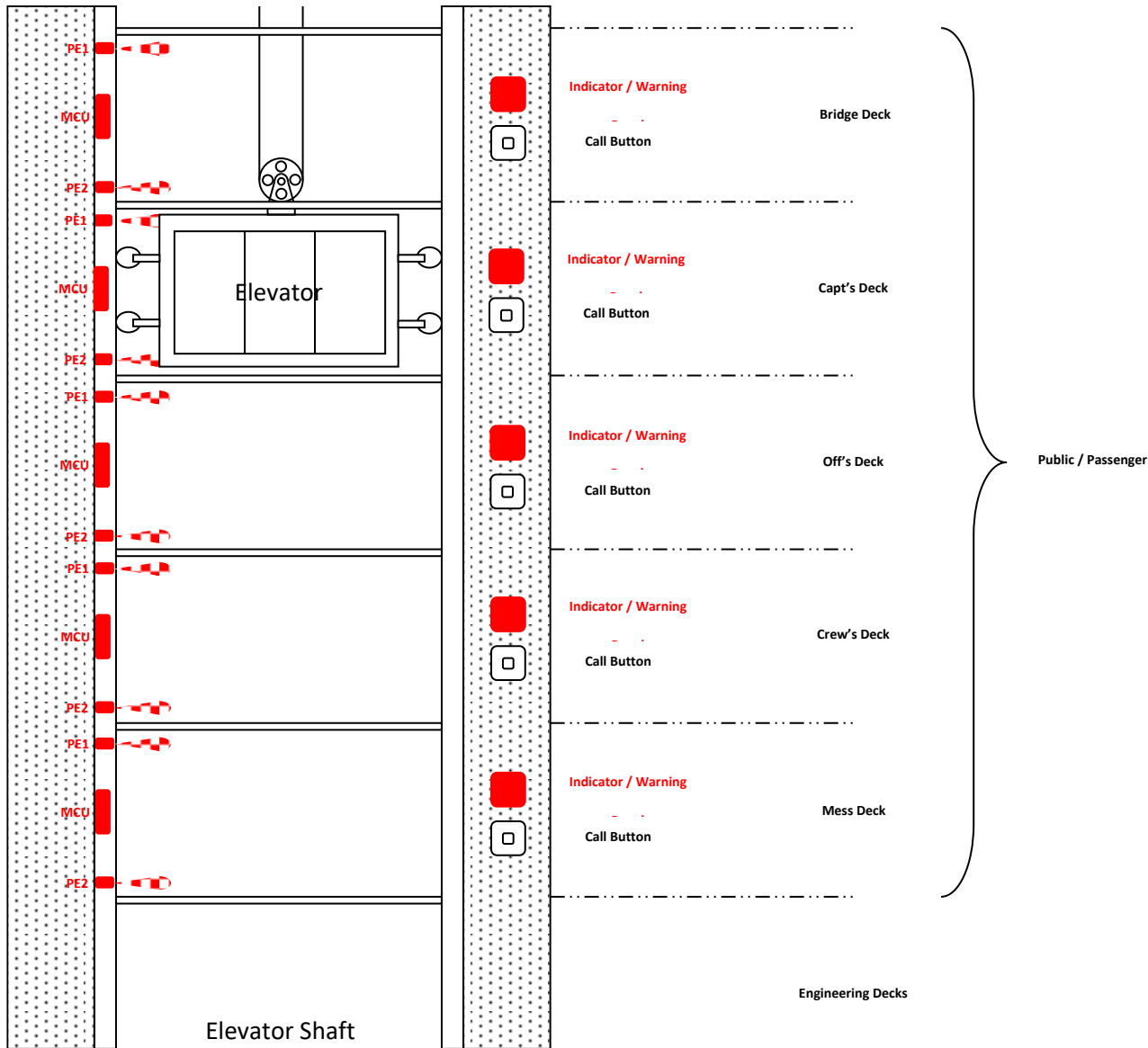
GuardianELEV8TOR
Elevator Car Presence Indication

GUARDIAN ELEV8TOR

Technical Drawings & Schematics



C-VIGIL Ltd : marine (CVM)
'The Barn', Bryntirion Road
Bagillt, Flintshire
CH6 6DS, UK
+44 (0)1244 279 879
support@cvigil.co.uk --: www.cvigil.co.uk



THESE DRAWINGS AND SPECIFICATIONS ARE THE PROPERTY OF C-VIGIL LTD AND SHALL NOT BE REPRODUCED, COPIED OR USED AS THE BASIS FOR THE MANUFACTURE OR SALE OF EQUIPMENT WITHOUT EXPLICIT WRITTEN PERMISSION

SCALE:
NOT TO SCALE

VERSION:
VER.1.0.1

TITLE:

OVERVIEW

C-VIGIL Ltd : marine (CVM)
www.cvigil.co.uk | support@cvigil.co.uk | +44 (0)1244 879 279

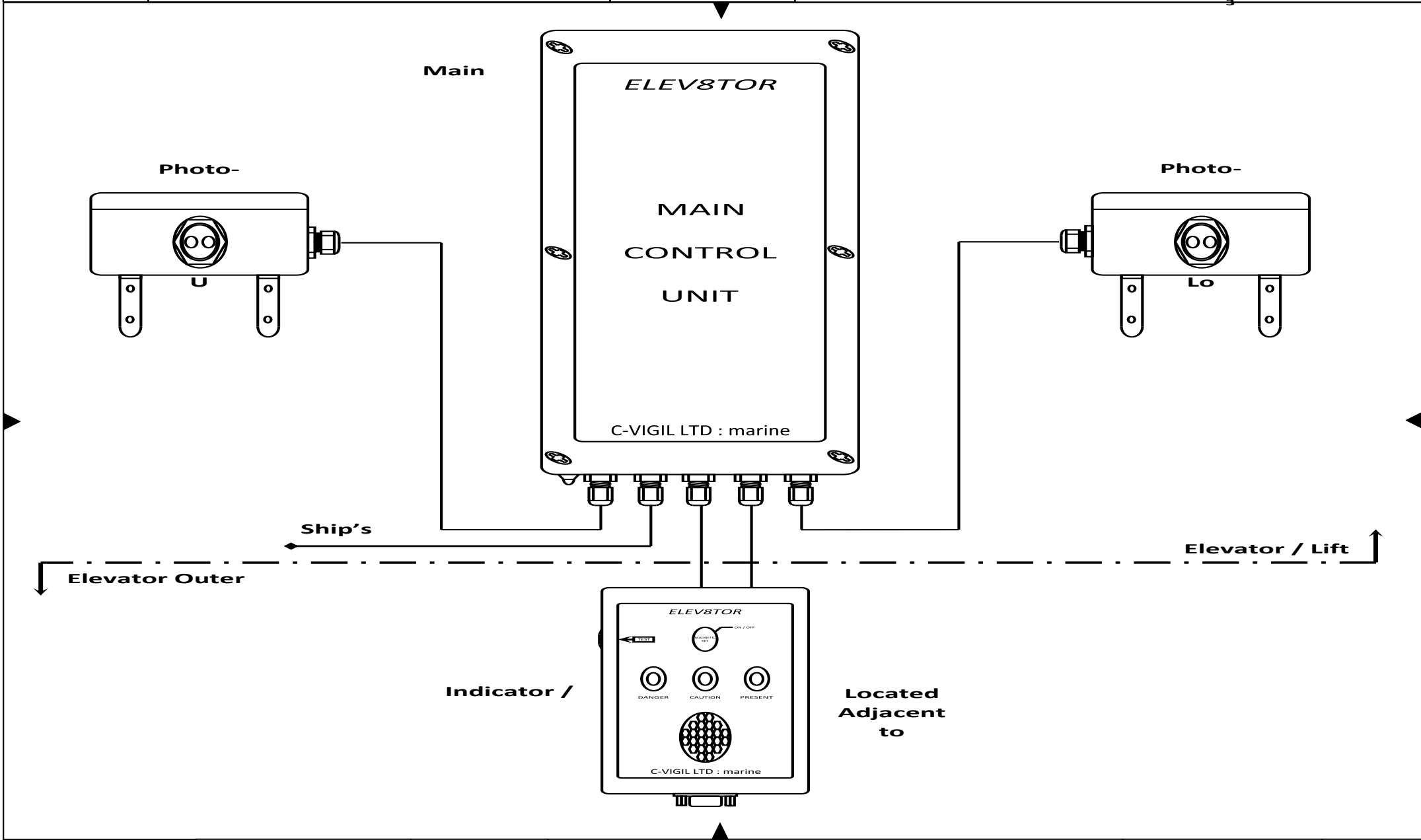
DWG No:
DWG001

DATE:
Mar-21

SHEET No:
1 of 11

REVISION:
A

DRAWN BY:
SS



THESE DRAWINGS AND SPECIFICATIONS ARE THE PROPERTY OF C-VIGIL LTD AND SHALL NOT BE REPRODUCED, COPIED OR USED AS THE BASIS FOR THE MANUFACTURE OR SALE OF EQUIPMENT WITHOUT EXPLICIT WRITTEN PERMISSION

SCALE: NOT TO SCALE

VERSION: VER.1.0.1

TITLE:

SYSTEM OVERVIEW

C-VIGIL Ltd : marine (CVM)

www.cvigil.co.uk | support@cvigil.co.uk | +44 (0)1244 879 279

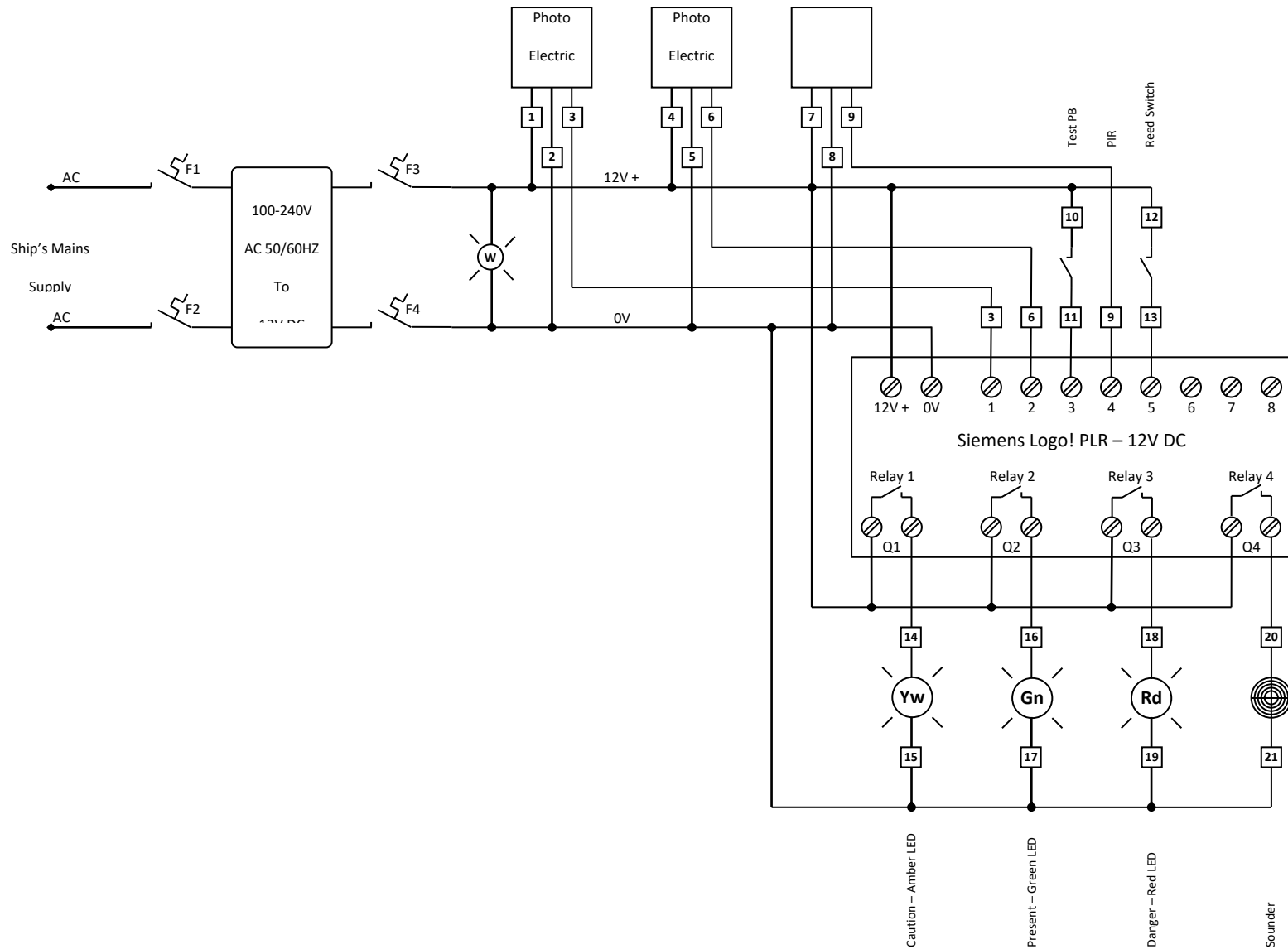
DWG No: DWG002

DATE: Mar-21

SHEET No: 2 of 11

REVISION: A

DRAWN BY: SS



THESE DRAWINGS AND SPECIFICATIONS ARE THE PROPERTY OF C-VIGIL LTD AND SHALL NOT BE REPRODUCED, COPIED OR USED AS THE BASIS FOR THE MANUFACTURE OR SALE OF EQUIPMENT WITHOUT EXPLICIT WRITTEN PERMISSION

SCALE:
NOT TO SCALE

VERSION:
VER.1.0.1

TITLE:

SYSTEM WIRING

C-VIGIL Ltd : marine (CVM)

www.cvigil.co.uk | support@cvigil.co.uk | +44 (0)1244 879 279

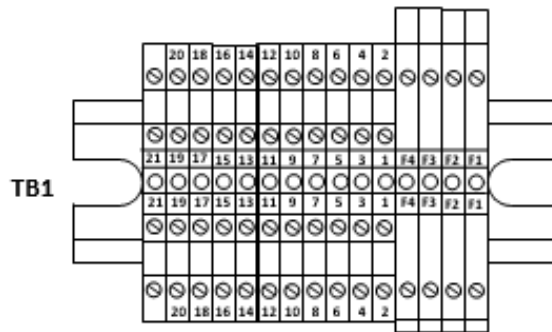
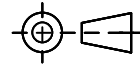
DWG No:
DWG003

DATE:
Mar-21

SHEET No:
3 of 11

REVISION:
A

DRAWN BY:
SS



Terminal No.		Description
F1		Ship's Mains 100-240V AC 50/60Hz
F2		Ship's Mains 100-240V AC 50/60Hz
F3		12V+ve DC
F4		0V
Upper	Lower	
1		12V+ve to Photo-electric Sensor PE1
	2	0V to Photo-electric Sensor PE1
3		Switched 12V+ve from Photo-electric Sensor PE1
	4	12V+ve to Photo-electric Sensor PE2
5		0V to Photo-electric Sensor PE2
	6	Switched 24V+ve from Photo-electric Sensor PE2
7		12V+ve to PIR
	8	0V to PIR
9		Switched 12V+ve from PIR
	10	12V+ve to Test Push Button
11		Switched 12V+ve from Test Push Button
	12	12V+ve to Magnetic Reed Switch
13		Switched 12V+ve from Magnetic Reed Switch
	14	Switched 12V+ve to Yellow 'Caution' LED
15		0V to Yellow 'Caution' LED
	16	Switched 12V+ve to Green 'Present' LED
17		0V to Green 'Present' LED
	18	Switched 12V+ve to Red 'Danger' LED
19		0V to Red 'Danger' LED
	20	Switched 12V+ve to Alarm Sounder
21		0V to Alarm Sounder



THESE DRAWINGS AND SPECIFICATIONS ARE THE PROPERTY OF C-VIGIL LTD AND SHALL NOT BE REPRODUCED, COPIED OR USED AS THE BASIS FOR THE MANUFACTURE OR SALE OF EQUIPMENT WITHOUT EXPLICIT WRITTEN PERMISSION

SCALE:
NOT TO SCALE

VERSION:
VER.1.0.1

TITLE:

TB-1

C-VIGIL Ltd : marine (CVM)

www.cvigil.co.uk | support@cvigil.co.uk | +44 (0)1244 879 279

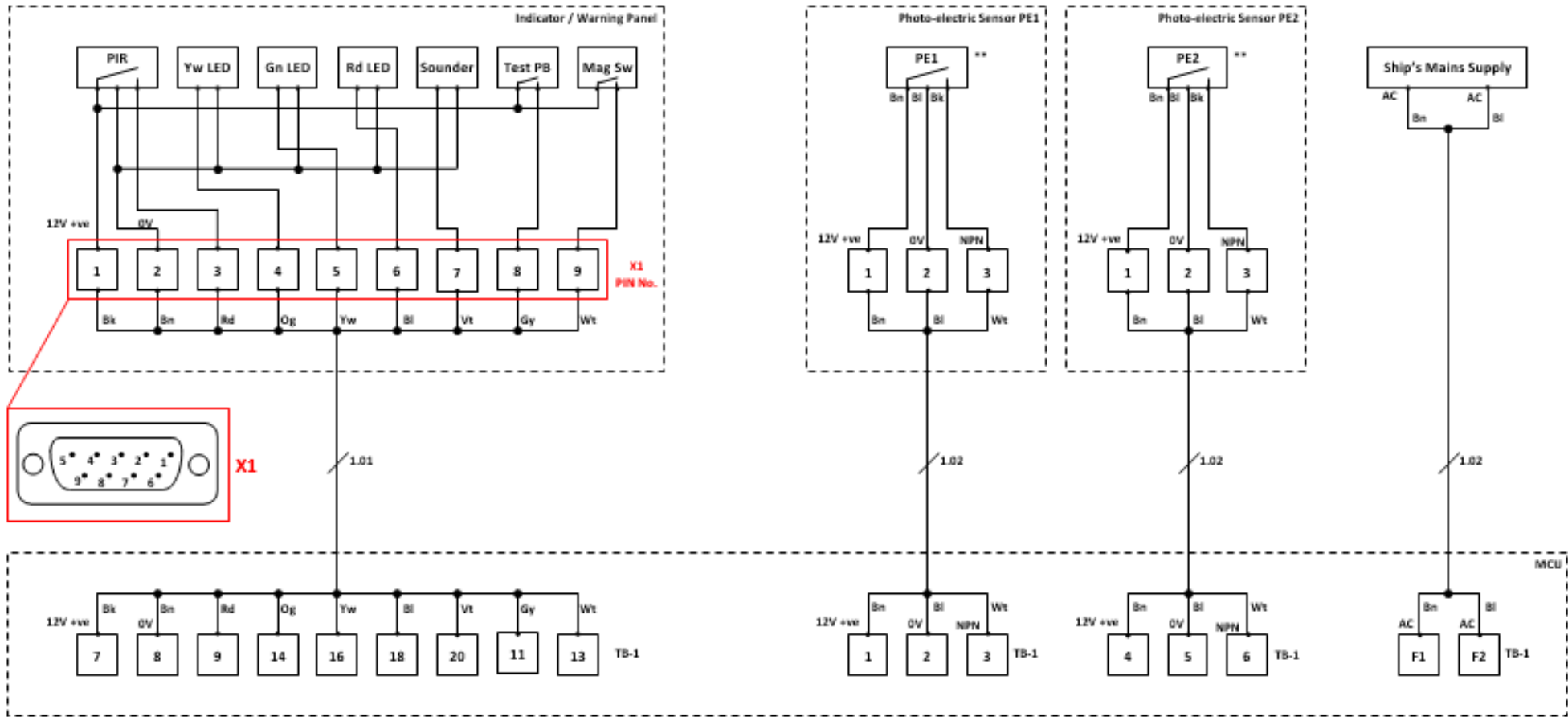
DWG No:
DWG004

DATE:
Mar-21

SHEET No:
4 of 11

REVISION:
A

DRAWN BY:
SS



Cable	Description
1.01	12 core : 0.35mm ² : 1A : PVC Cable
1.02	4 core : 0.75mm ² : 6A : PVC Cable



THESE DRAWINGS AND SPECIFICATIONS ARE THE PROPERTY OF C-VIGIL LTD AND SHALL NOT BE REPRODUCED, COPIED OR USED AS THE BASIS FOR THE MANUFACTURE OR SALE OF EQUIPMENT WITHOUT EXPLICIT WRITTEN PERMISSION

SCALE:
NOT TO SCALE

VERSION:
VER.1.0.1

TITLE:

INTERCONNECTIONS

C-VIGIL Ltd : marine (CVM)

www.cvigil.co.uk | support@cvigil.co.uk | +44 (0)1244 879 279

DWG No:
DWG005

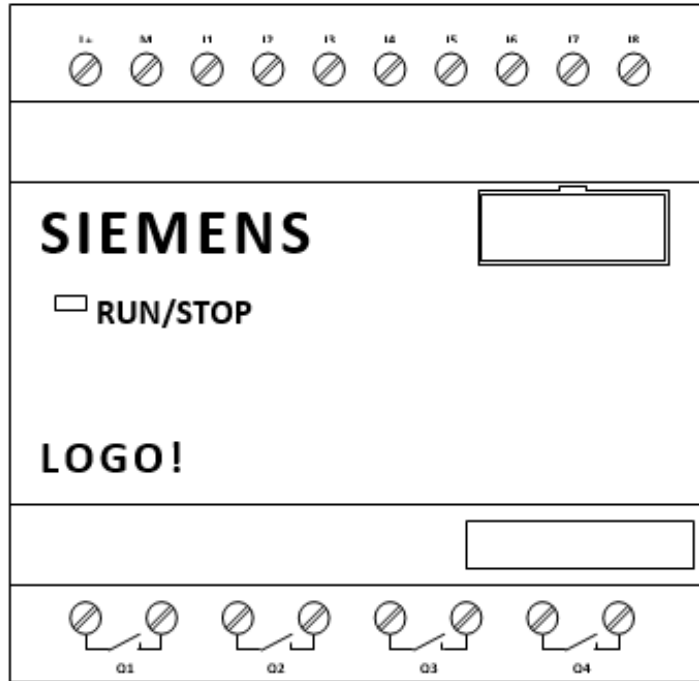
DATE:
Mar-21

SHEET No:
5 of 11

REVISION:
A

DRAWN BY:
SS

Main Logic Module



I/O Table

Main Unit	
Power Supplies	L+ 12V DC +VE
	M 0V
Inputs	I1 12V+ve from PE1
	I2 12V+ve from PE2
	I3 12V+ve from Test PB
	I4 12V+ve from PIR
	I5 12V+ve from Mag Reed Switch
	I6 No Connection
	I7 No Connection
	I8 No Connection
Main Unit	
Inputs	Q1 12V+ve to Yellow 'Caution' LED
	Q2 12V+ve to Green 'Present' LED
	Q3 12V+ve to Red 'Danger' LED
	Q4 12V+ve to Alarm Sounder



THESE DRAWINGS AND SPECIFICATIONS ARE THE PROPERTY OF C-VIGIL LTD AND SHALL NOT BE REPRODUCED, COPIED OR USED AS THE BASIS FOR THE MANUFACTURE OR SALE OF EQUIPMENT WITHOUT EXPLICIT WRITTEN PERMISSION

SCALE:
NOT TO SCALE

VERSION:
VER.1.0.1

TITLE:

PLC MODULE

C-VIGIL Ltd : marine (CVM)

www.cvigil.co.uk | support@cvigil.co.uk | +44 (0)1244 879 279

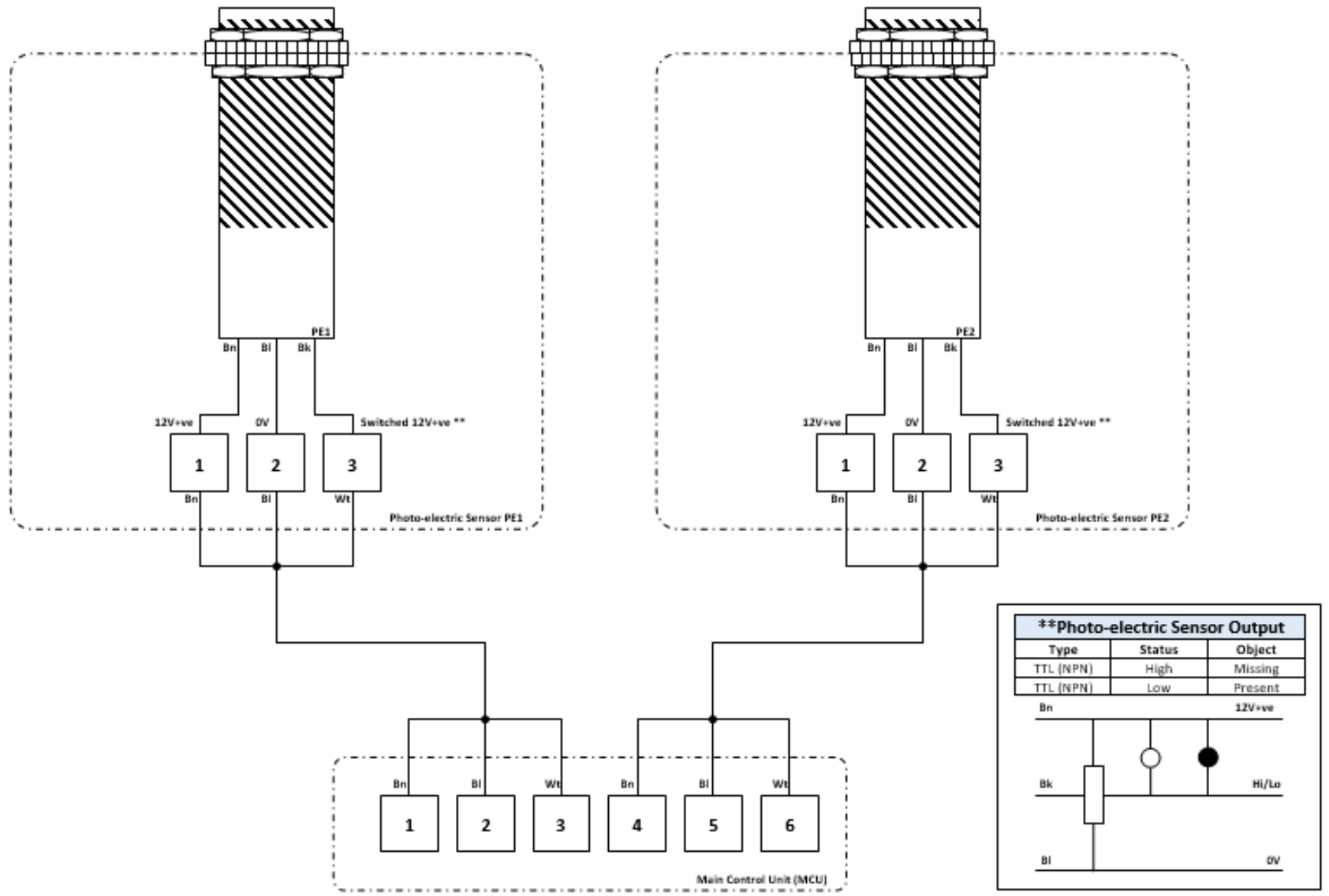
DWG No:
DWG006

DATE:
Mar-21

SHEET No:
6 of 11

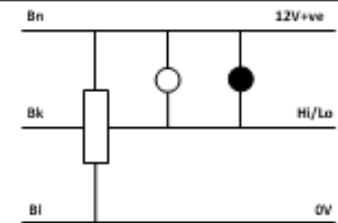
REVISION:
A

DRAWN BY:
SS



****Photo-electric Sensor Output**

Type	Status	Object
TTL (NPN)	High	Missing
TTL (NPN)	Low	Present




THESE DRAWINGS AND SPECIFICATIONS ARE THE PROPERTY OF C-VIGIL LTD AND SHALL NOT BE REPRODUCED, COPIED OR USED AS THE BASIS FOR THE MANUFACTURE OR SALE OF EQUIPMENT WITHOUT EXPLICIT WRITTEN PERMISSION

SCALE:
NOT TO SCALE

VERSION:
VER.1.0.1

TITLE:

PHOTO ELECTRIC CELL WIRING

C-VIGIL Ltd : marine (CVM)

www.cvigil.co.uk | support@cvigil.co.uk | +44 (0)1244 879 279

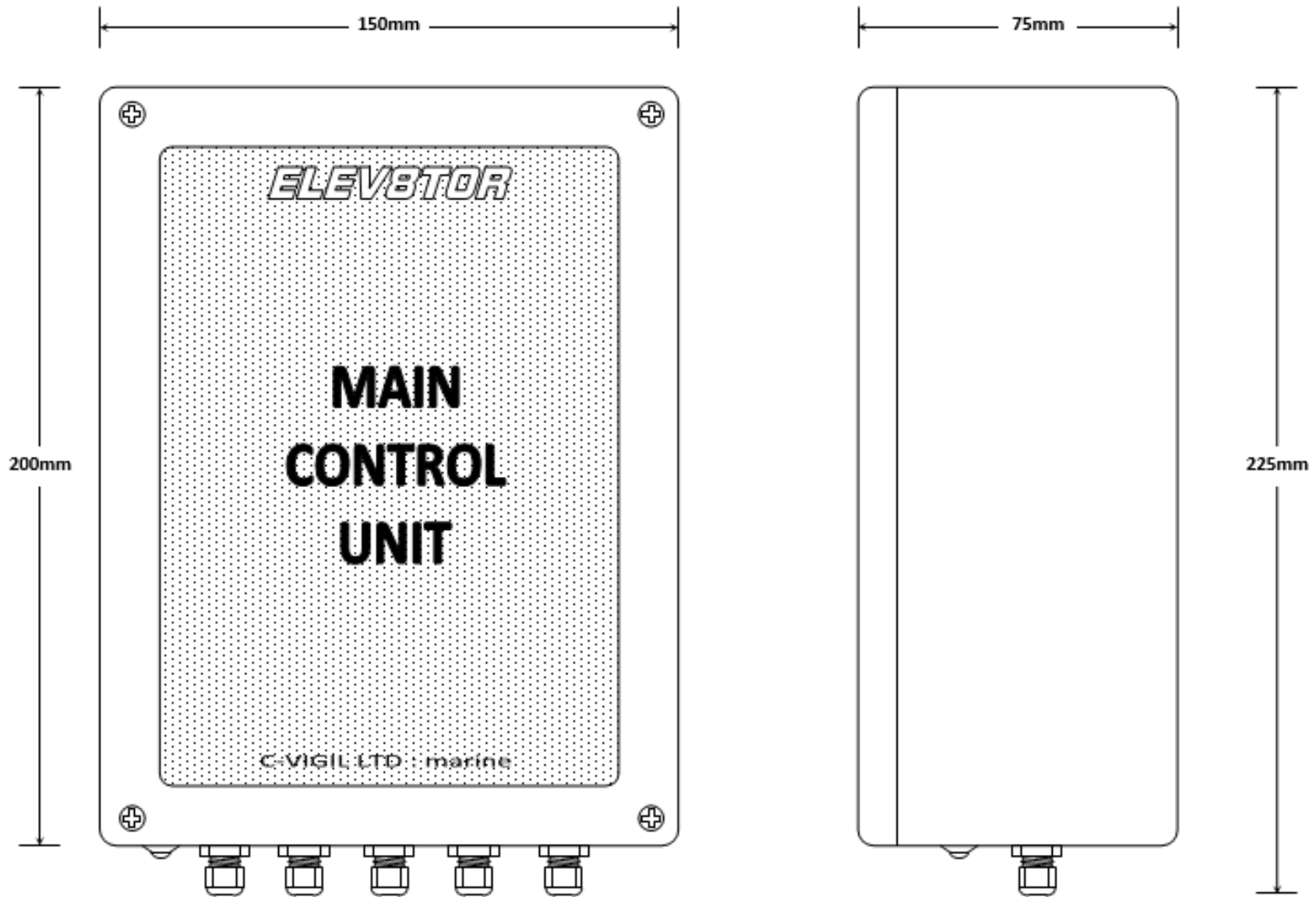
DWG No:
DWG007

DATE:
Mar-21

SHEET No:
7 of 11

REVISION:
A

DRAWN BY:
SS



THESE DRAWINGS AND SPECIFICATIONS ARE THE PROPERTY OF C-VIGIL LTD AND SHALL NOT BE REPRODUCED, COPIED OR USED AS THE BASIS FOR THE MANUFACTURE OR SALE OF EQUIPMENT WITHOUT EXPLICIT WRITTEN PERMISSION

SCALE:
NOT TO SCALE

VERSION:
VER.1.0.1

TITLE:

MCU

C-VIGIL Ltd : marine (CVM)

www.cvigil.co.uk | support@cvigil.co.uk | +44 (0)1244 879 279

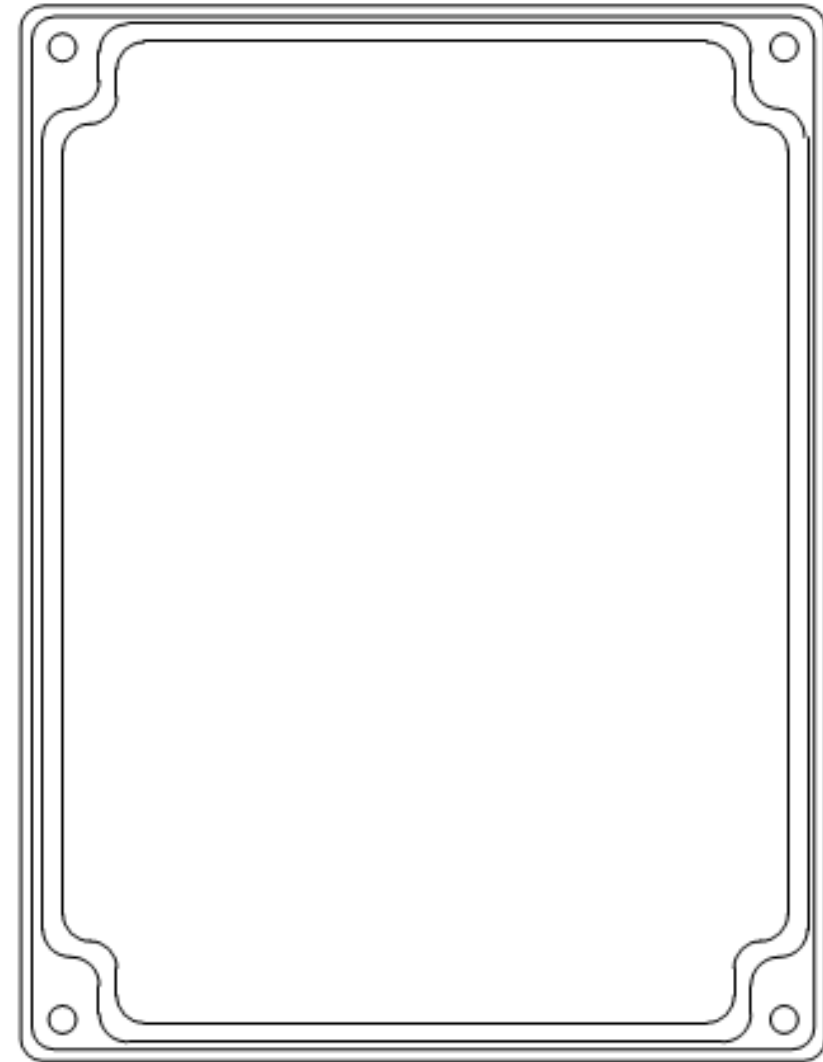
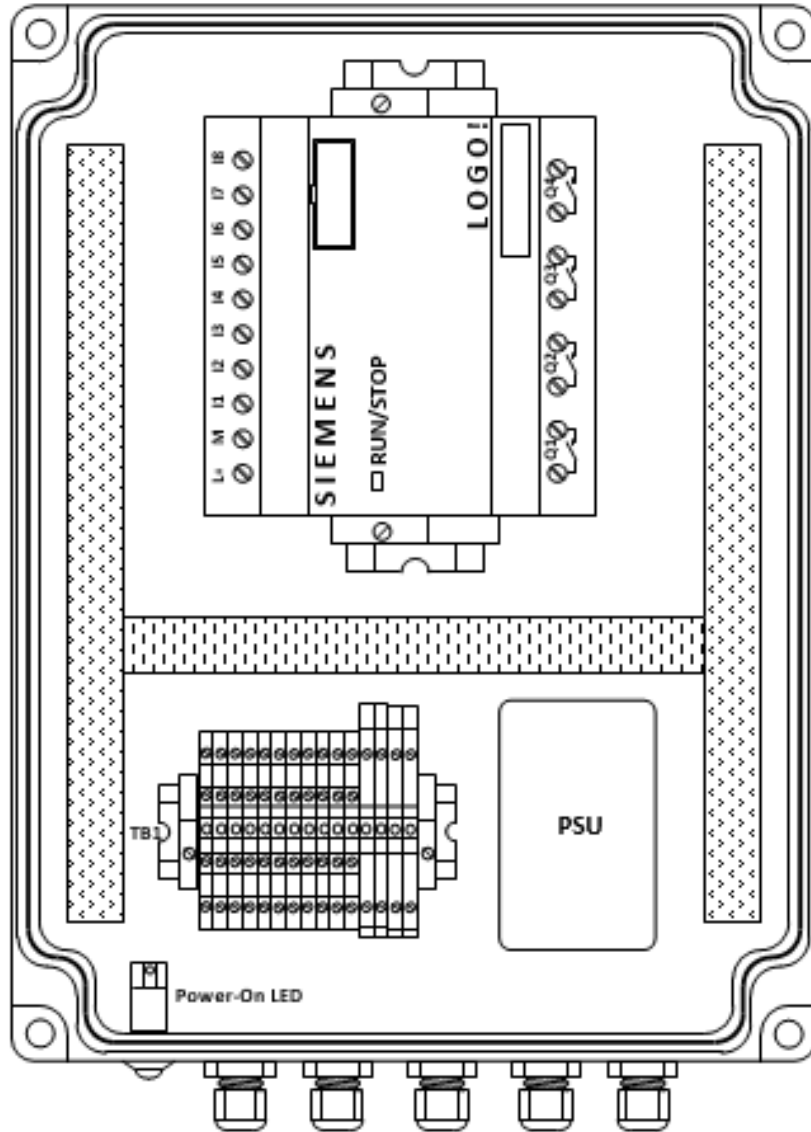
DWG No:
DWG008

DATE:
Mar-21

SHEET No:
8 of 11

REVISION:
A

DRAWN BY:
SS



THESE DRAWINGS AND SPECIFICATIONS ARE THE PROPERTY OF C-VIGIL LTD AND SHALL NOT BE REPRODUCED, COPIED OR USED AS THE BASIS FOR THE MANUFACTURE OR SALE OF EQUIPMENT WITHOUT EXPLICIT WRITTEN PERMISSION

SCALE:
NOT TO SCALE

VERSION:
VER.1.0.1

TITLE:

MCU - INTERNAL

C-VIGIL Ltd : marine (CVM)

www.cvigil.co.uk | support@cvigil.co.uk | +44 (0)1244 879 279

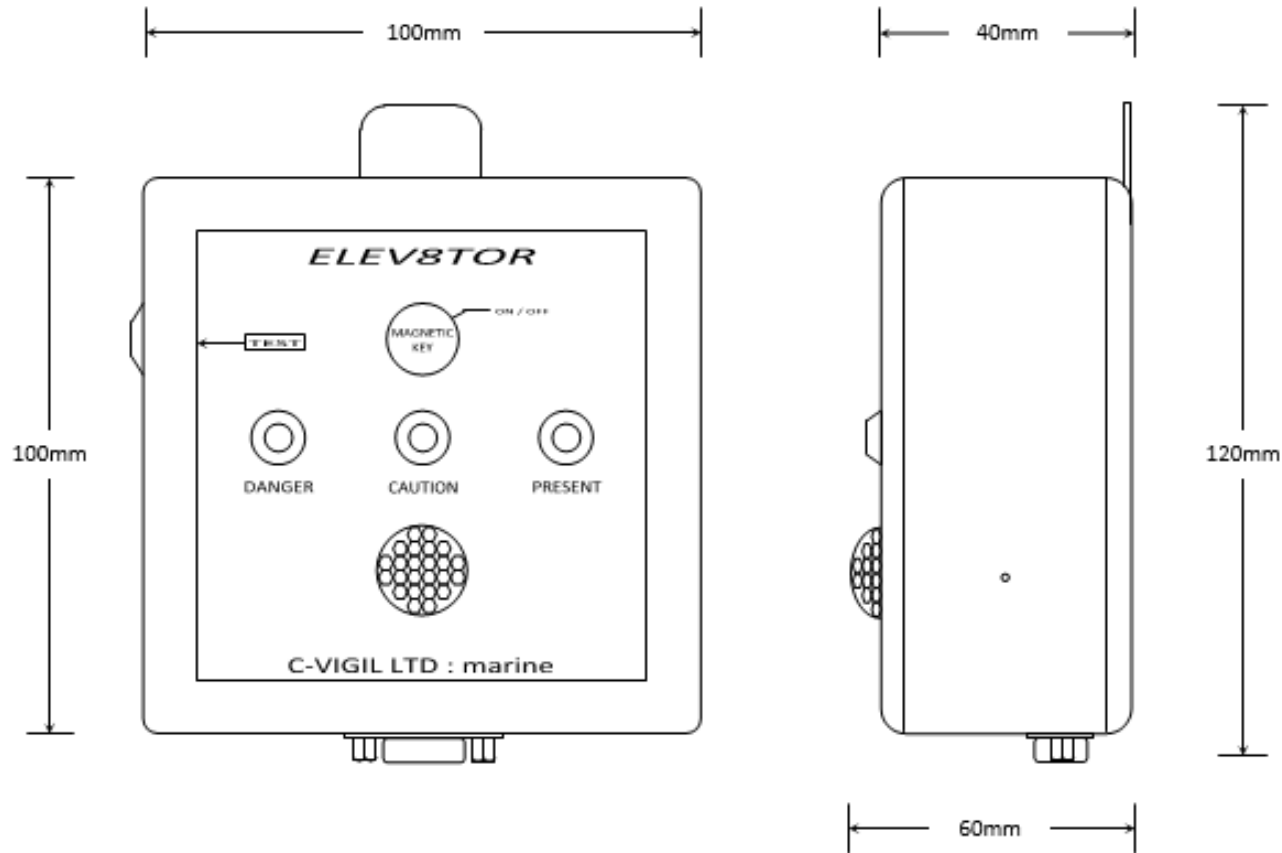
DWG No:
DWG009

DATE:
Mar-21

SHEET No:
9 of 11

REVISION:
A

DRAWN BY:
SS



THESE DRAWINGS AND SPECIFICATIONS ARE THE PROPERTY OF C-VIGIL LTD AND SHALL NOT BE REPRODUCED, COPIED OR USED AS THE BASIS FOR THE MANUFACTURE OR SALE OF EQUIPMENT WITHOUT EXPLICIT WRITTEN PERMISSION

SCALE:
NOT TO SCALE

VERSION:
VER.1.0.1

TITLE:

INDICATOR / ALARM PANEL

C-VIGIL Ltd : marine (CVM)

www.cvigil.co.uk | support@cvigil.co.uk | +44 (0)1244 879 279

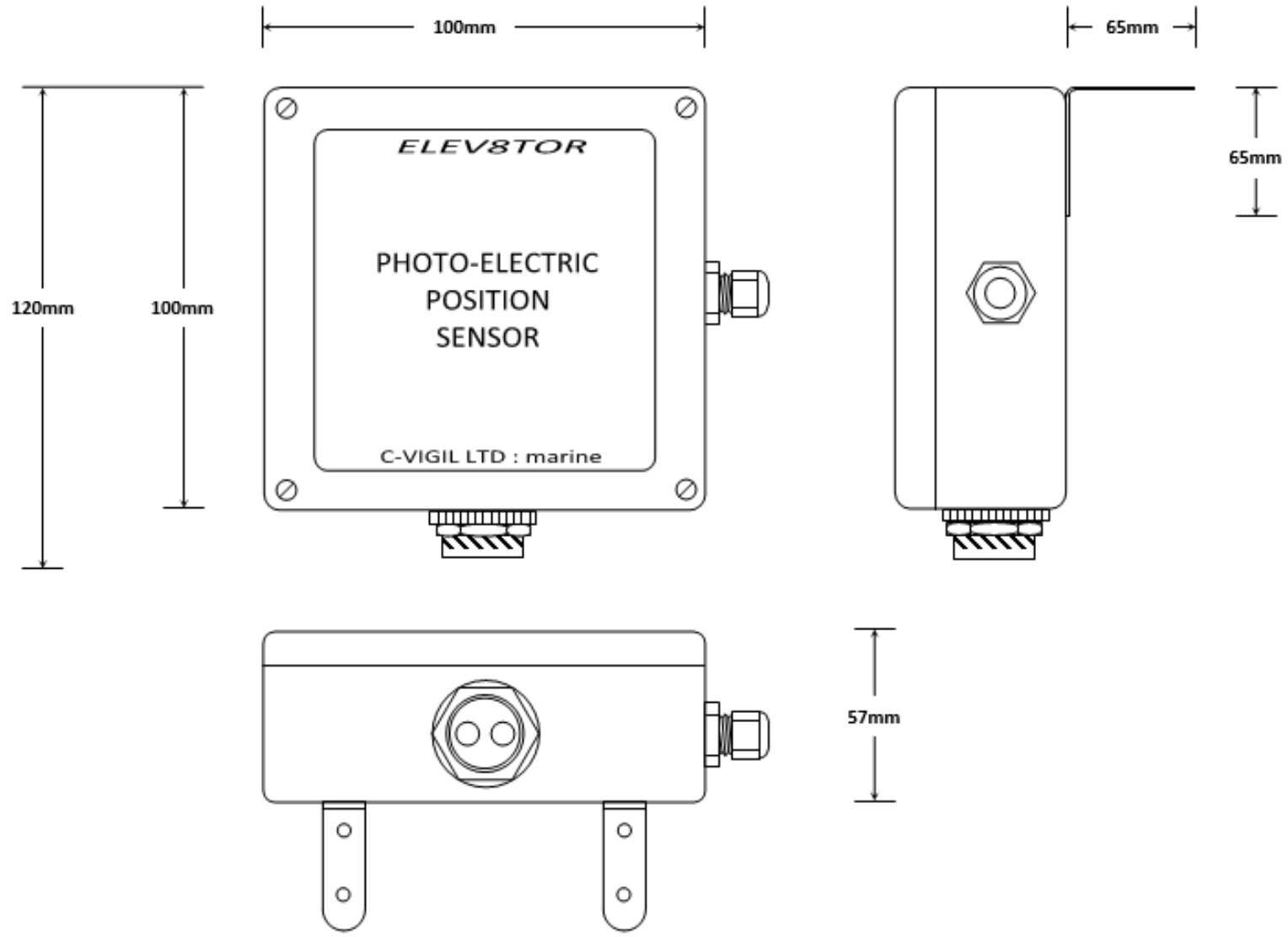
DWG No:
DWG010

DATE:
Mar-21

SHEET No:
10 of 11

REVISION:
A

DRAWN BY:
SS



THESE DRAWINGS AND SPECIFICATIONS ARE THE PROPERTY OF C-VIGIL LTD AND SHALL NOT BE REPRODUCED, COPIED OR USED AS THE BASIS FOR THE MANUFACTURE OR SALE OF EQUIPMENT WITHOUT EXPLICIT WRITTEN PERMISSION

SCALE:
NOT TO SCALE

VERSION:
VER.1.0.1

TITLE:

PHOTO ELECTRIC CELL

C-VIGIL Ltd : marine (CVM)

www.cvigil.co.uk | support@cvigil.co.uk | +44 (0)1244 879 279

DWG No:
DWG011

DATE:
Mar-21

SHEET No:
11 of 11

REVISION:
A

DRAWN BY:
SS