

EX14N Series Extreme Environment Integrated Day/Night Camera



The EX14N is an all-environment Integrated Day-Night (IDN) camera for extreme weather applications. The simple, effective design allows performance in the most challenging of environmental conditions. The housing is compact, yet large enough for a 4 to 9 mm varifocal lens, the mechanical filter imaging technology and integrated infrared illumination for 12 m (40 ft) Night Vision.

The EX14N incorporates mechanical filter technology for vivid daytime color and exceptional night-time imaging under infrared illumination while maintaining sharp focus under all lighting conditions. The EX14N also features proprietary CCD technology for outstanding spectral response in the near infrared for excellent active-infrared night vision.

A high-efficiency 18-LED spatially optimized infrared array contributes to evenly-distributed infrared illumination. Photocell-control ensures that video and LED switching are accurate. The result is an excellent 24/7 camera, with 40 ft of Night Vision in totally dark environments.

Made of an injection-molded ABS/Nylon resin, the EX14N series is engineered specifically to withstand hot, cold and wet environments. A totally insulated inner chamber eliminates the requirement for internal heaters and blowers. Compliant to IP66, the EX14N series also features an easy-access camera compartment for easy camera/lens adjustments and installation.

- ▶ **Weatherproof design for hot, cold and wet environments**
- ▶ **12 m (40 ft) of active infrared night vision**
- ▶ **Photocell-controlled operation for accurate switching**
- ▶ **Injection molded ABS-Nylon resin enclosure, IP66**
- ▶ **Completely insulated internal chamber**

Rugged, compact, power protected and extreme weather-sealed, the EX14N Series is an ideal IDN camera for extreme environments in day or dark conditions. The EX14N is available with a varifocal 4 to 9 mm auto-iris lens and comes complete with a nylon wall bracket for quick and easy installation.

Functions

The camera features:

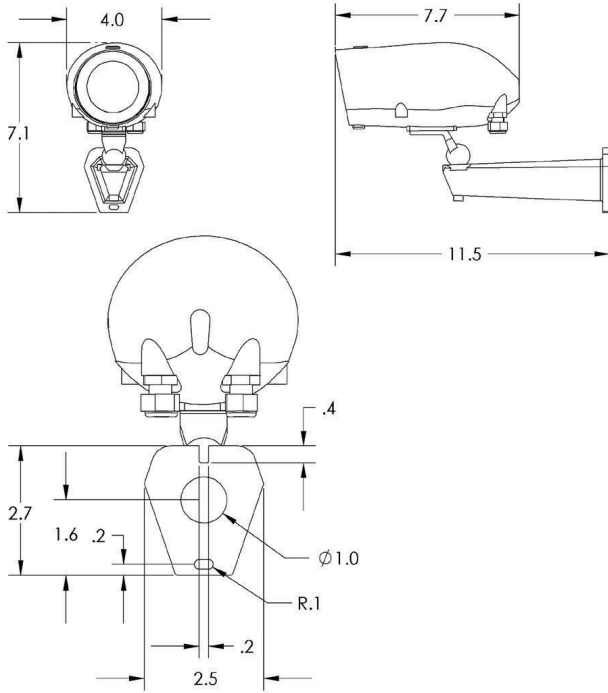
- Totally weatherproof for hot and cold environments
- Completely insulated internal chamber
- No requirement for internal heater or cooler
- Installer-friendly, easy-access camera compartment
- Varifocal 4 to 9 mm auto-iris lens
- Extreme weather sealed, water resistant and IP66 compliant
- Photocell-controlled operation for accurate switching

Applications

- Wash down applications
- Food processing
- Marine applications
- Artic conditions
- Acid / alkali environment
- Sewage Treatment plants
- Sub-zero weather applications
- Coastal environments
- Chemical facilities
- Ports and harbors

- Cruise ships
- Industrial freezers and refrigerators

Installation/Configuration Notes



Technical Specifications

Model	EX14MNX
CCD	MX4 LXR Mechanical Filter
Image Sensor	1/3 in LXR CCD
Resolution	540 TVL color 540 TVL monochrome
Effective Pixels (HxV)	NTSC: 768 x 494 (HxV) PAL: 752 x 582 (HxV)
Sensitivity	
Daytime	0.02 lux with F1.4 lens
Night time	0 lux with infrared (B/W)
S/N Ratio	Greater than 48 dB (AGC off)

Video Output	1 Vpp, 75 ohm
Gamma	0.45
Gain Control	AGC (with on/off switch)
Electronics Iris	1/60 to 1/100,000 (NTSC) 1/50 to 1/100,000 (PAL)
Voltage Supply	12 to 24 AC/DC
LED Type	High-efficiency 850nm, even distribution IR
Number of LEDs	18
Power Consumption	6.5 W
Internal Heater / Cooler	Not Required
Window	Flame resistant VO-Margard; 50 mm (2.0 in)
Wall Bracket	Included
Color	Black standard (white available by special order)
External Dimensions	180 x 85 x 85 mm (L x W x H) 7.1 x 3.3 x 3.3 in (L x W x H)
Window Diameter	50 mm (2.0 in)
Weight	0.7 kg (1.5lb) bracket included
Temperature Range Operation	-60°C to +60°C (-76°F to +140°F)
Environmental	IP66 compliant

Ordering Information

EX14MNX8V0408B-N Extreme Environment Integrated Day/Night Camera 1/3 in. extended day/night, 540/540 TVL, 18LED 850 nm, 4-9 mm lens, NTSC	EX14MNX8V0408B-N
EX14MNX8V0408B-P Extreme Environment Integrated Day/Night Camera 1/3 in. extended day/night, 540/540 TVL, 18LED 850 nm, 4-9 mm lens, PAL	EX14MNX8V0408B-P

Accessories

UPA-2430-60 Power Supply 120VAC, 60Hz, 24VAC, 30VA Out	UPA-2430-60
UPA-2420-50 Power Supply 220VAC, 50Hz, 24VAC, 20VA Out	UPA-2420-50