

THESE DRAWINGS AND SPECIFICATIONS ARE THE PROPERTY OF C-VIGIL LTD AND SHALL NOT BE REPRODUCED, COPIED OR USED AS THE BASIS FOR THE MANUFACTURE OR SALE OF EQUIPMENT WITHOUT EXPLICIT WRITTEN PERMISSION

SCALE:  
NOT TO SCALE

VERSION:  
VER.1.0.1

TITLE:  
**TYPICAL OVERVIEW**

**C-VIGIL Ltd : marine (CVM)**  
www.cvigil.co.uk | support@cvigil.co.uk | +44 (0)1244 879 279

DWG No:  
DWG001

DATE:  
Feb-18

SHEET No:  
1 of 18

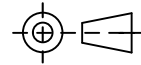
REVISION:  
A

DRAWN BY:  
SS

PROJECT / VESSEL

GUARDIAN : SOLO – WIND TURBINES

PROJECTION:



# TURBINE TOWER EQUIPMENT



THESE DRAWINGS AND SPECIFICATIONS ARE THE PROPERTY OF C-VIGIL LTD AND SHALL NOT BE REPRODUCED, COPIED OR USED AS THE BASIS FOR THE MANUFACTURE OR SALE OF EQUIPMENT WITHOUT EXPLICIT WRITTEN PERMISSION

SCALE:  
NOT TO SCALE

VERSION:  
VER.1.0.1

TITLE:

**C-VIGIL Ltd : marine (CVM)**

[www.cvigil.co.uk](http://www.cvigil.co.uk) | [support@cvigil.co.uk](mailto:support@cvigil.co.uk) | +44 (0)1244 879 279

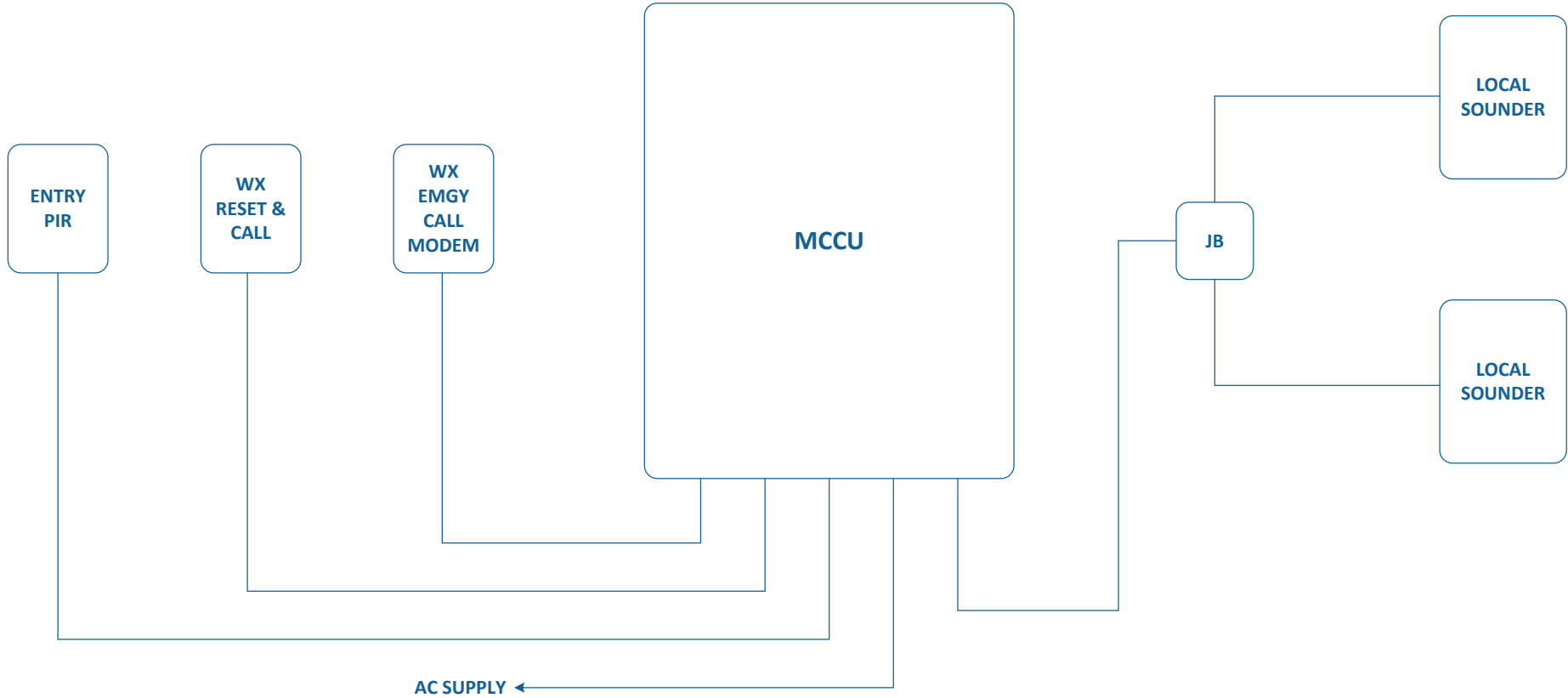
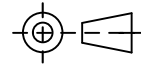
DWG No:  
DWG002

DATE:  
Feb-18

SHEET No:  
2 of 18

REVISION:  
A

DRAWN BY:  
SS



THESE DRAWINGS AND SPECIFICATIONS ARE THE PROPERTY OF C-VIGIL LTD AND SHALL NOT BE REPRODUCED, COPIED OR USED AS THE BASIS FOR THE MANUFACTURE OR SALE OF EQUIPMENT WITHOUT EXPLICIT WRITTEN PERMISSION

SCALE:  
NOT TO SCALE

VERSION:  
VER.1.0.1

TITLE:

TOWER SYSTEM

C-VIGIL Ltd : marine (CVM)

www.cvigil.co.uk | support@cvigil.co.uk | +44 (0)1244 879 279

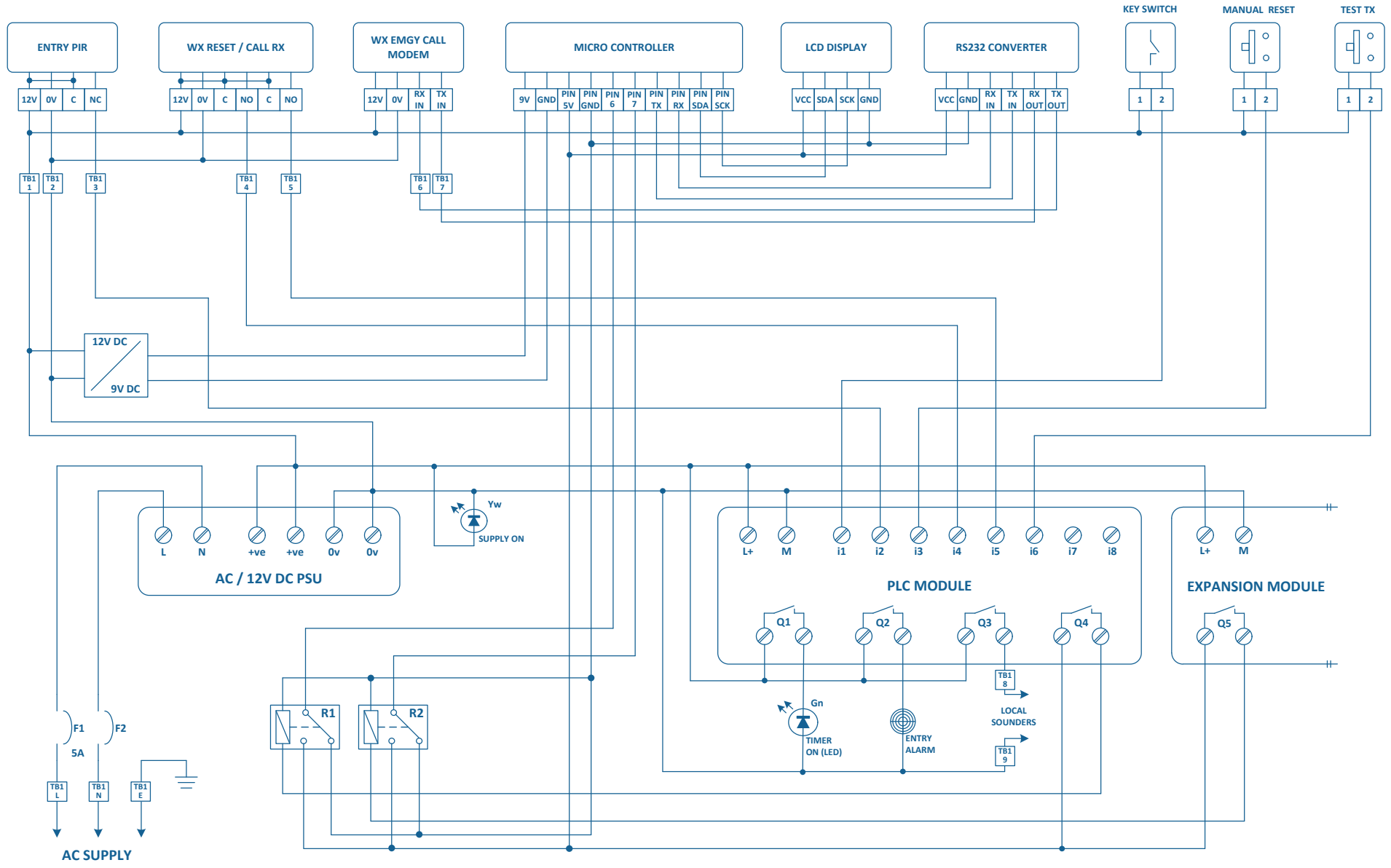
DWG No:  
DWG003

DATE:  
Feb-18

SHEET No:  
3 of 18

REVISION:  
A

DRAWN BY:  
SS



THESE DRAWINGS AND SPECIFICATIONS ARE THE PROPERTY OF C-VIGIL LTD AND SHALL NOT BE REPRODUCED, COPIED OR USED AS THE BASIS FOR THE MANUFACTURE OR SALE OF EQUIPMENT WITHOUT EXPLICIT WRITTEN PERMISSION

SCALE:  
NOT TO SCALE

VERSION:  
VER.1.0.1

TITLE:  
**TOWER SYSTEM WIRING**

**C-VIGIL Ltd : marine (CVM)**  
www.cvigil.co.uk | support@cvigil.co.uk | +44 (0)1244 879 279

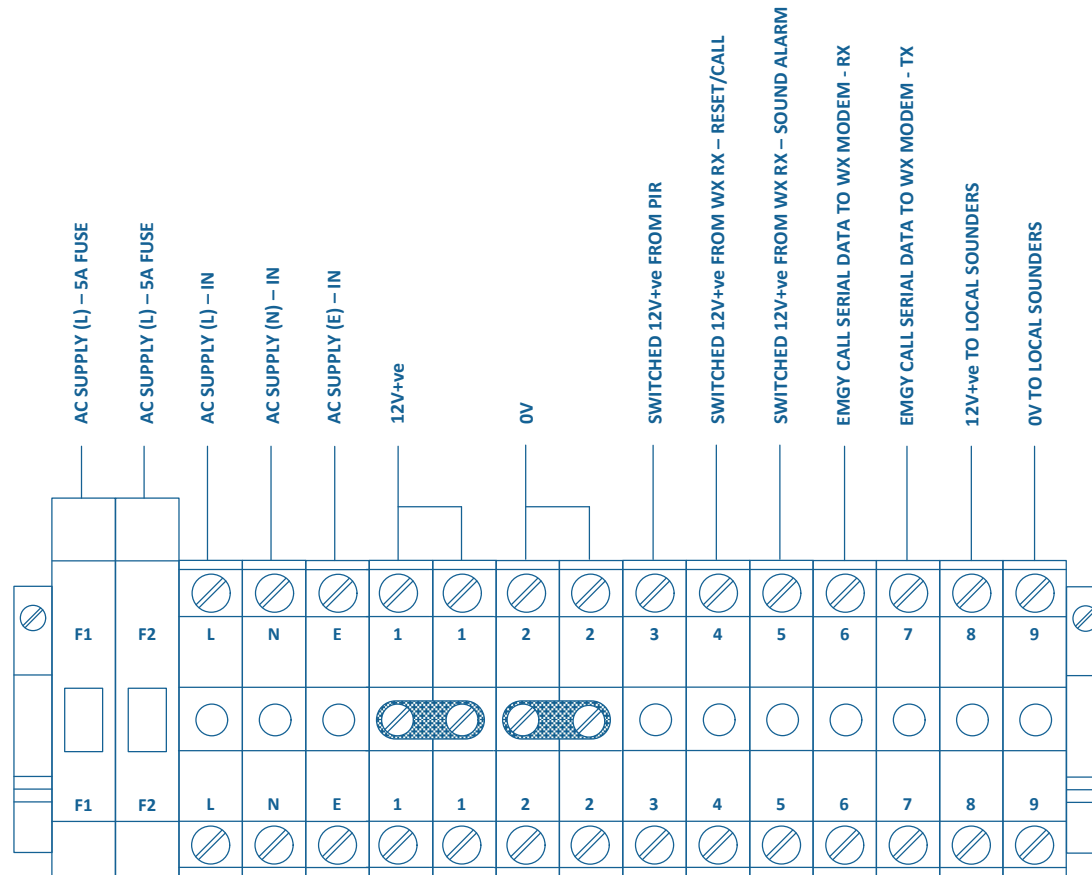
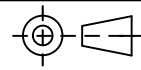
DWG No:  
DWG004

DATE:  
Feb-18

SHEET No:  
4 of 18

REVISION:  
A

DRAWN BY:  
SS



THESE DRAWINGS AND SPECIFICATIONS ARE THE PROPERTY OF C-VIGIL LTD AND SHALL NOT BE REPRODUCED, COPIED OR USED AS THE BASIS FOR THE MANUFACTURE OR SALE OF EQUIPMENT WITHOUT EXPLICIT WRITTEN PERMISSION

SCALE:  
NOT TO SCALE

VERSION:  
VER.1.0.1

TITLE:

MCCU TB-1

C-VIGIL Ltd : marine (CVM)

www.cvigil.co.uk | support@cvigil.co.uk | +44 (0)1244 879 279

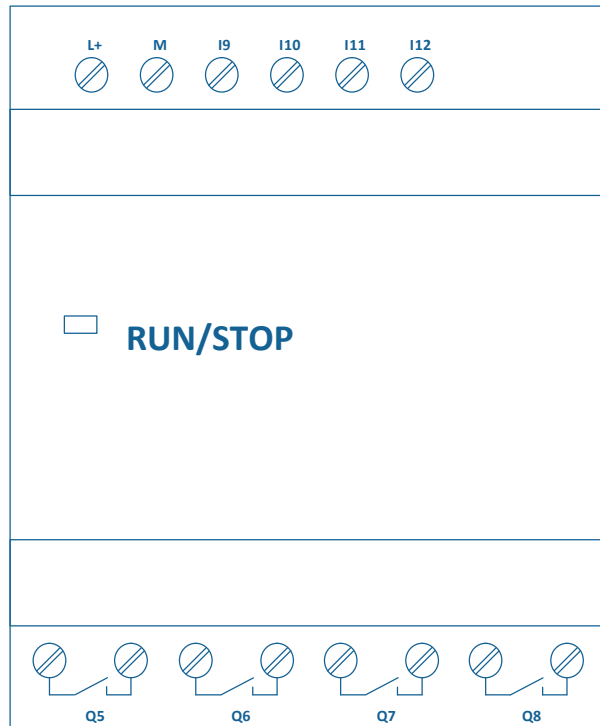
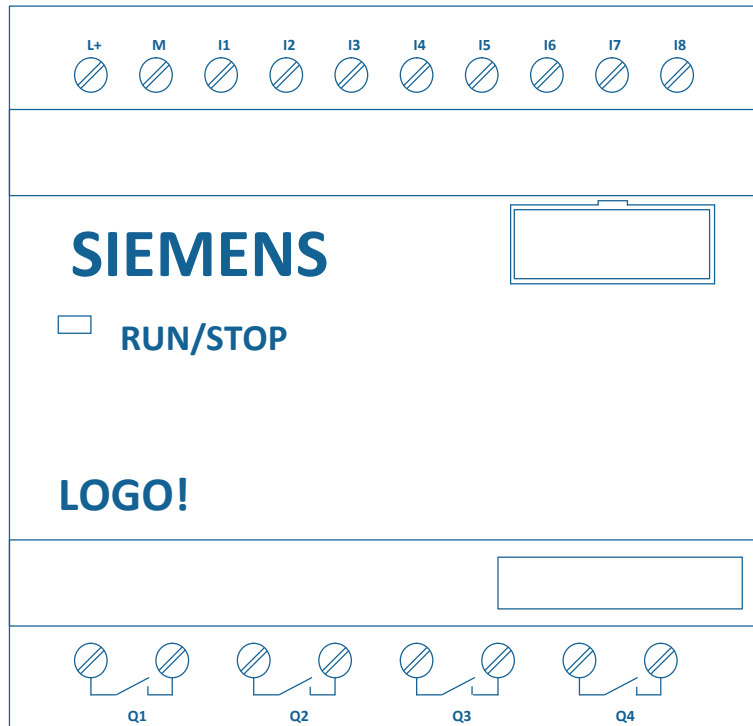
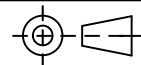
DWG No:  
DWG005

DATE:  
Feb-18

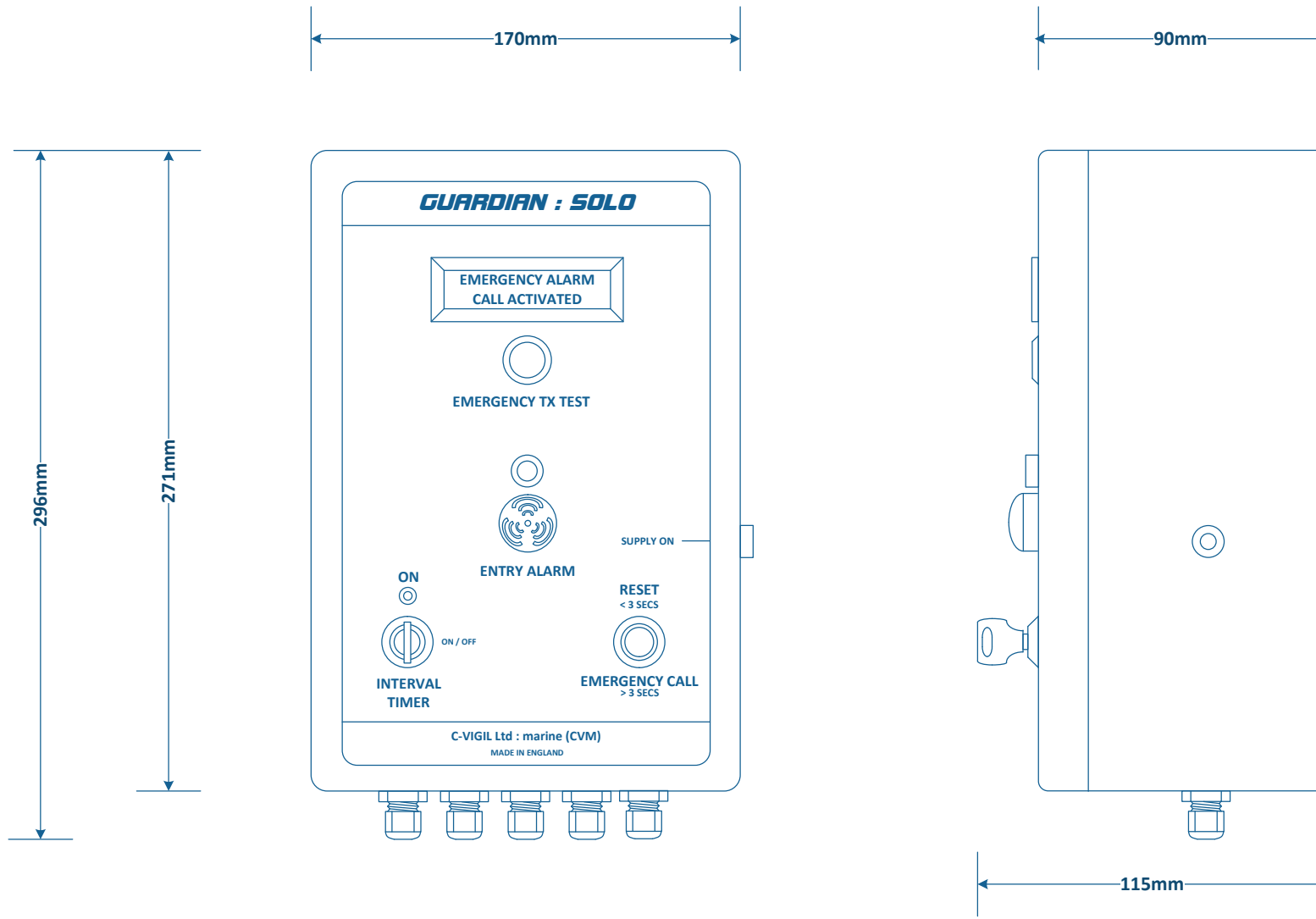
SHEET No:  
5 of 18

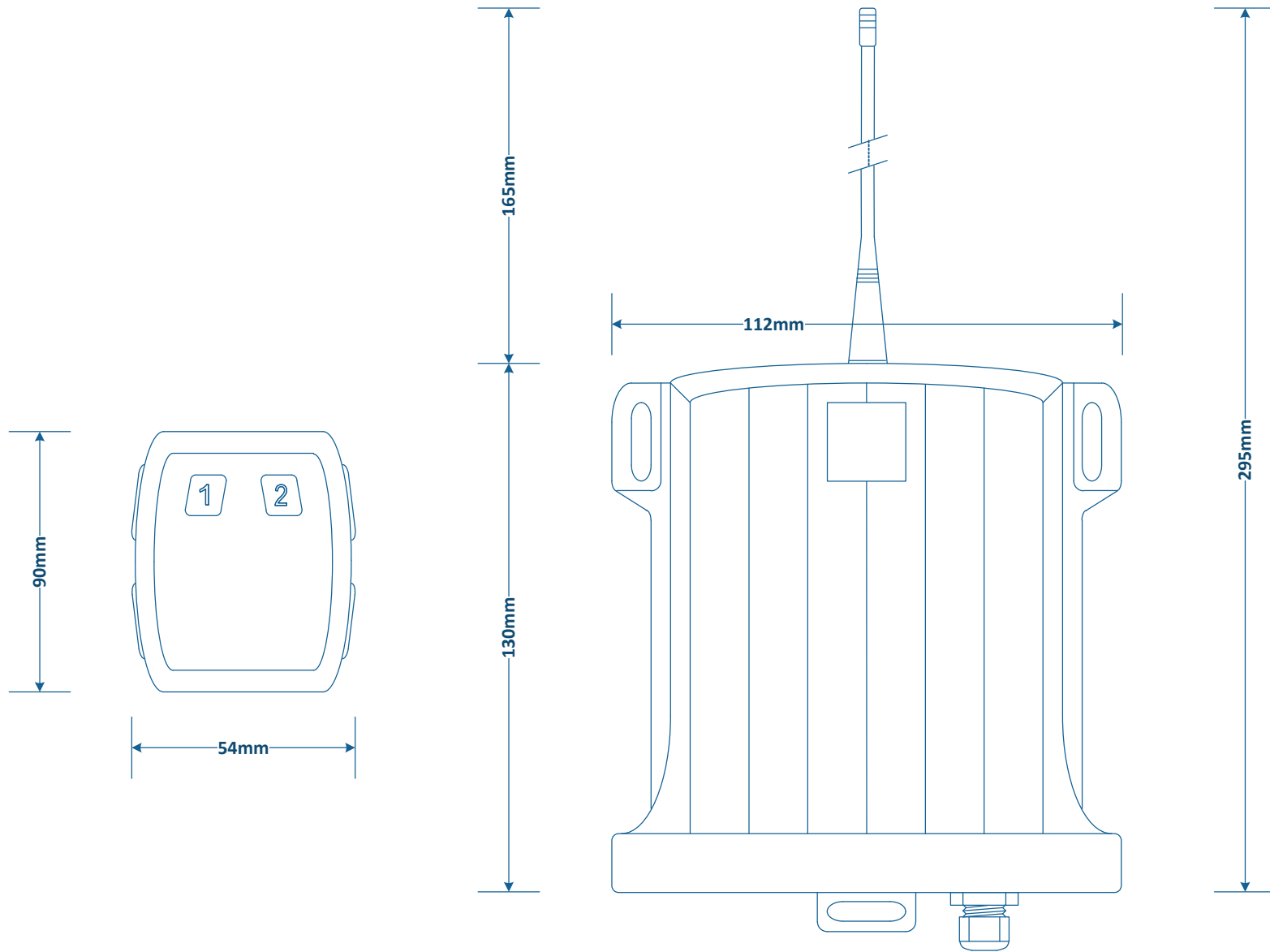
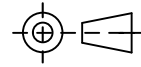
REVISION:  
A

DRAWN BY:  
SS

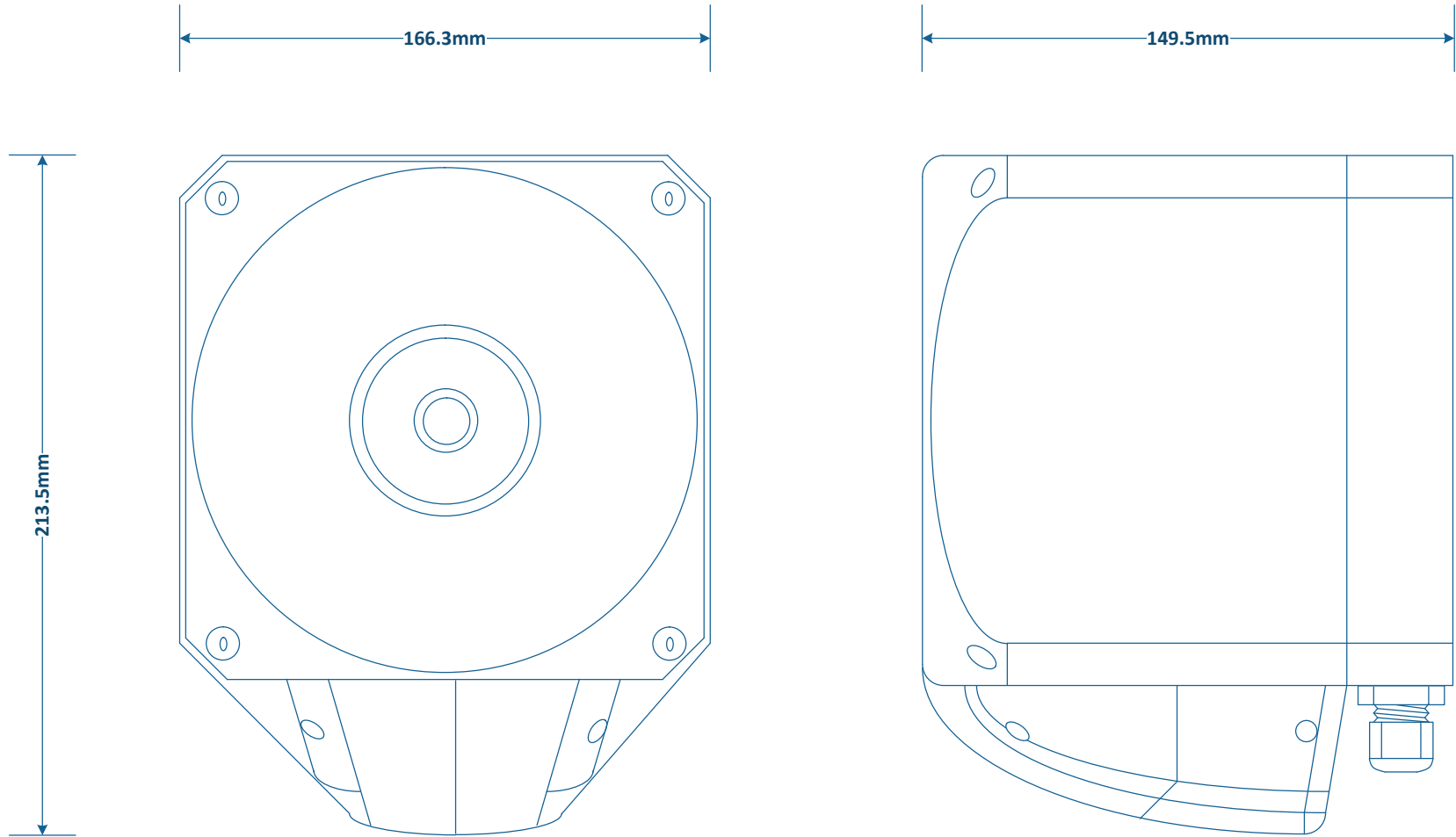
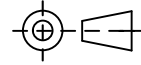


I/O TABLE	
MAIN PLC MODULE	
POWER SUPPLY	
L+	12V+ DC
M	0V
INPUTS	
i1	SWITCHED 12V+ FROM KEY SWITCH
i2	SWITCHED 12V+ FROM ENTRY PIR
i3	SWITCHED 12V+ FROM MANUAL RESET PB
i4	SWITCHED 12V+ FROM WX RX RESET/CALL
i5	SWITCHED 12V+ FROM WX RX SOUND ALARM
i6	SWITCHED 12V+ FROM TEST TX PB
i7	NO CONNECTION
i8	NO CONNECTION
OUTPUTS	
Q1	SWITCHED 12V+ TIMER ON LED
Q2	SWITCHED 12V+ ENTRY ALARM/LED
Q3	SWITCHED 12V+ LOCAL SOUNDERS
Q4	SWITCHED 5V+ SEND EMGY CALL SERIAL DATA
EXPANSION MODULE	
POWER SUPPLY	
L+	12V+ DC
M	0V
OUTPUTS	
Q5	SWITCHED 5V+ CHANGE LCD DISPLAY INFO









THESE DRAWINGS AND SPECIFICATIONS ARE THE PROPERTY OF C-VIGIL LTD AND SHALL NOT BE REPRODUCED, COPIED OR USED AS THE BASIS FOR THE MANUFACTURE OR SALE OF EQUIPMENT WITHOUT EXPLICIT WRITTEN PERMISSION

SCALE:  
NOT TO SCALE

VERSION:  
VER.1.0.1

TITLE:  
**LOCAL ALARM SOUNDER / BEACON**

**C-VIGIL Ltd : marine (CVM)**  
www.cvigil.co.uk | support@cvigil.co.uk | +44 (0)1244 879 279

DWG No:  
DWG009

DATE:  
Feb-18

SHEET No:  
9 of 18

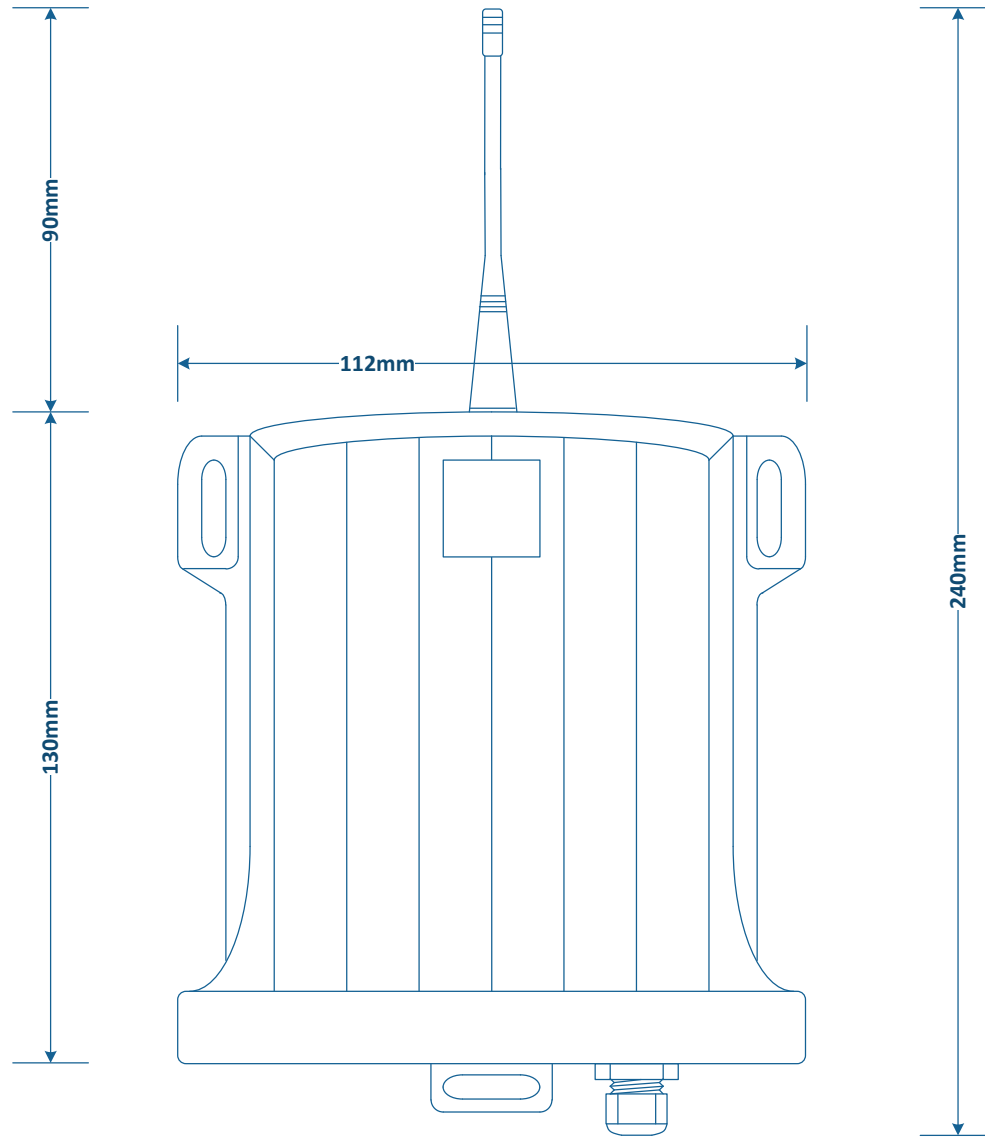
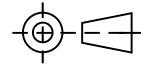
REVISION:  
A

DRAWN BY:  
SS

PROJECT / VESSEL

GUARDIAN : SOLO – WIND TURBINES

PROJECTION:



THESE DRAWINGS AND SPECIFICATIONS ARE THE PROPERTY OF C-VIGIL LTD AND SHALL NOT BE REPRODUCED, COPIED OR USED AS THE BASIS FOR THE MANUFACTURE OR SALE OF EQUIPMENT WITHOUT EXPLICIT WRITTEN PERMISSION

SCALE:  
NOT TO SCALE

VERSION:  
VER.1.0.1

TITLE:  
**EMERGENCY TRANSMISSION WX - TX MODEM**

**C-VIGIL Ltd : marine (CVM)**  
www.cvigil.co.uk | support@cvigil.co.uk | +44 (0)1244 879 279

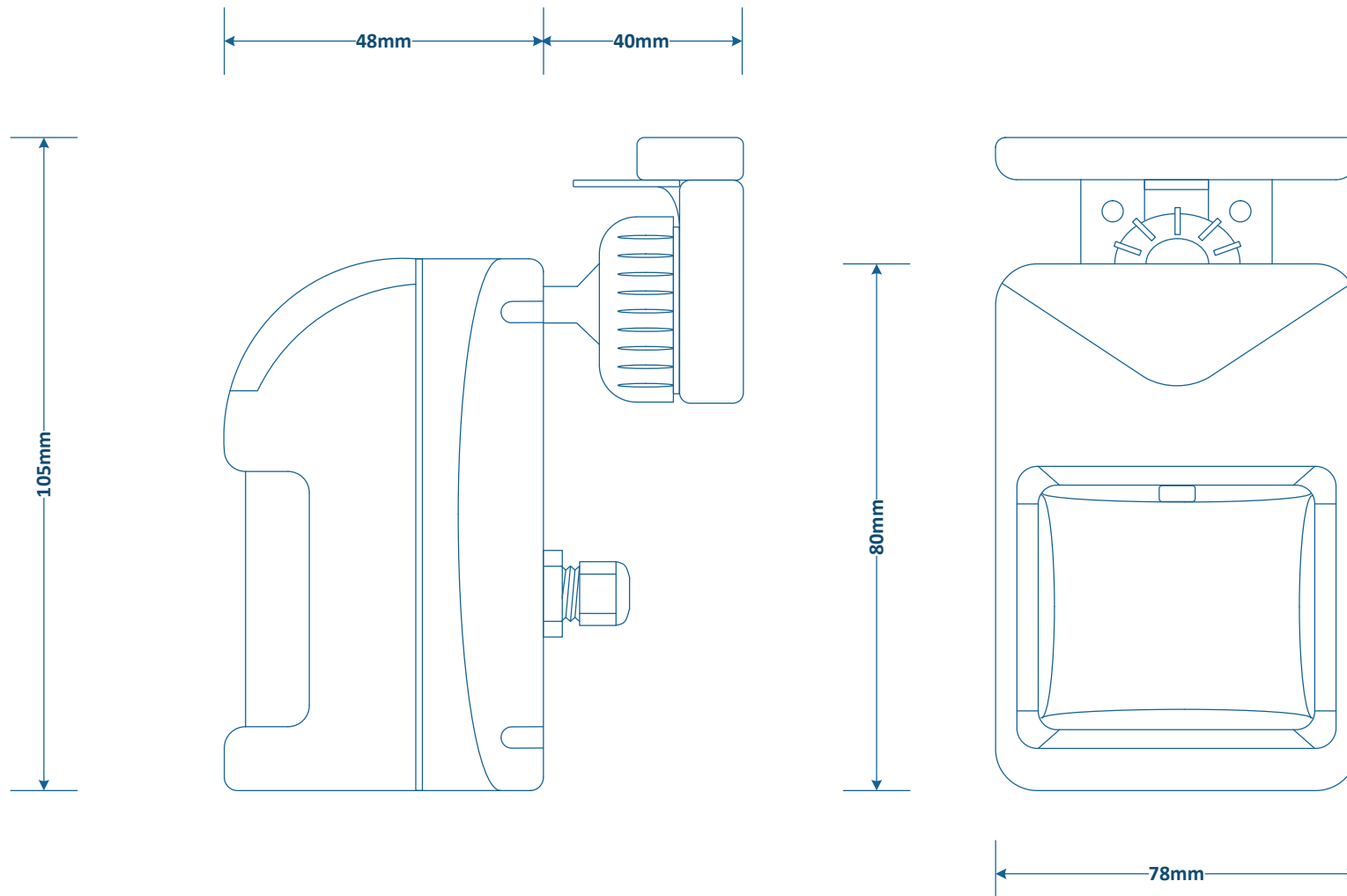
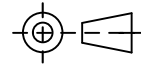
DWG No:  
DWG011

DATE:  
Feb-18

SHEET No:  
10 of 18

REVISION:  
A

DRAWN BY:  
SS



THESE DRAWINGS AND SPECIFICATIONS ARE THE PROPERTY OF C-VIGIL LTD AND SHALL NOT BE REPRODUCED, COPIED OR USED AS THE BASIS FOR THE MANUFACTURE OR SALE OF EQUIPMENT WITHOUT EXPLICIT WRITTEN PERMISSION

SCALE:  
NOT TO SCALE

VERSION:  
VER.1.0.1

TITLE:  
**ENTRY PIR**

**C-VIGIL Ltd : marine (CVM)**  
www.cvigil.co.uk | support@cvigil.co.uk | +44 (0)1244 879 279

DWG No:  
DWG010

DATE:  
Feb-18

SHEET No:  
11 of 18

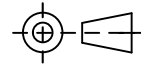
REVISION:  
A

DRAWN BY:  
SS

PROJECT / VESSEL

GUARDIAN : SOLO – WIND TURBINES

PROJECTION:



# SUPPORT VESSEL EQUIPMENT



THESE DRAWINGS AND SPECIFICATIONS ARE THE PROPERTY OF C-VIGIL LTD AND SHALL NOT BE REPRODUCED, COPIED OR USED AS THE BASIS FOR THE MANUFACTURE OR SALE OF EQUIPMENT WITHOUT EXPLICIT WRITTEN PERMISSION

SCALE:  
NOT TO SCALE

VERSION:  
VER.1.0.1

TITLE:

**C-VIGIL Ltd : marine (CVM)**

[www.cvigil.co.uk](http://www.cvigil.co.uk) | [support@cvigil.co.uk](mailto:support@cvigil.co.uk) | +44 (0)1244 879 279

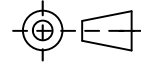
DWG No:  
DWG012

DATE:  
Feb-18

SHEET No:  
12 of 18

REVISION:  
A

DRAWN BY:  
SS



WX  
EMGY  
CALL  
MODEM

ALARM INDICATOR PANEL

AC SUPPLY ←



THESE DRAWINGS AND SPECIFICATIONS ARE THE PROPERTY OF C-VIGIL LTD AND SHALL NOT BE REPRODUCED, COPIED OR USED AS THE BASIS FOR THE MANUFACTURE OR SALE OF EQUIPMENT WITHOUT EXPLICIT WRITTEN PERMISSION

SCALE:  
NOT TO SCALE

VERSION:  
VER.1.0.1

TITLE:

SUPPORT VESSEL SYSTEM

C-VIGIL Ltd : marine (CVM)

www.cvigil.co.uk | support@cvigil.co.uk | +44 (0)1244 879 279

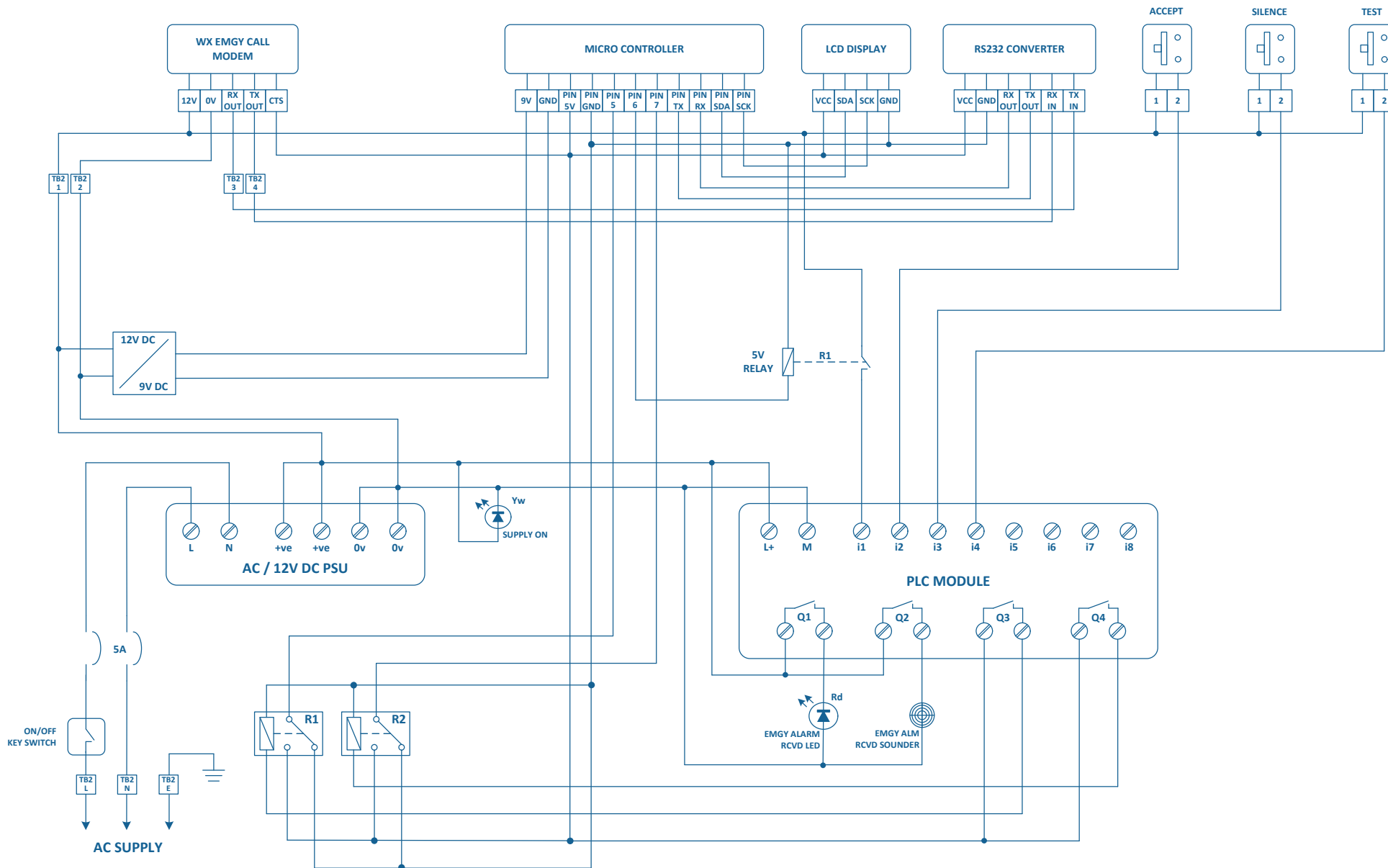
DWG No:  
DWG013

DATE:  
Feb-18

SHEET No:  
13 of 18

REVISION:  
A

DRAWN BY:  
SS



THESE DRAWINGS AND SPECIFICATIONS ARE THE PROPERTY OF C-VIGIL LTD AND SHALL NOT BE REPRODUCED, COPIED OR USED AS THE BASIS FOR THE MANUFACTURE OR SALE OF EQUIPMENT WITHOUT EXPLICIT WRITTEN PERMISSION

SCALE:  
NOT TO SCALE

VERSION:  
VER.1.0.1

TITLE:

SUPPORT VESSEL SYSTEM WIRING

C-VIGIL Ltd : marine (CVM)

www.cvigil.co.uk | support@cvigil.co.uk | +44 (0)1244 879 279

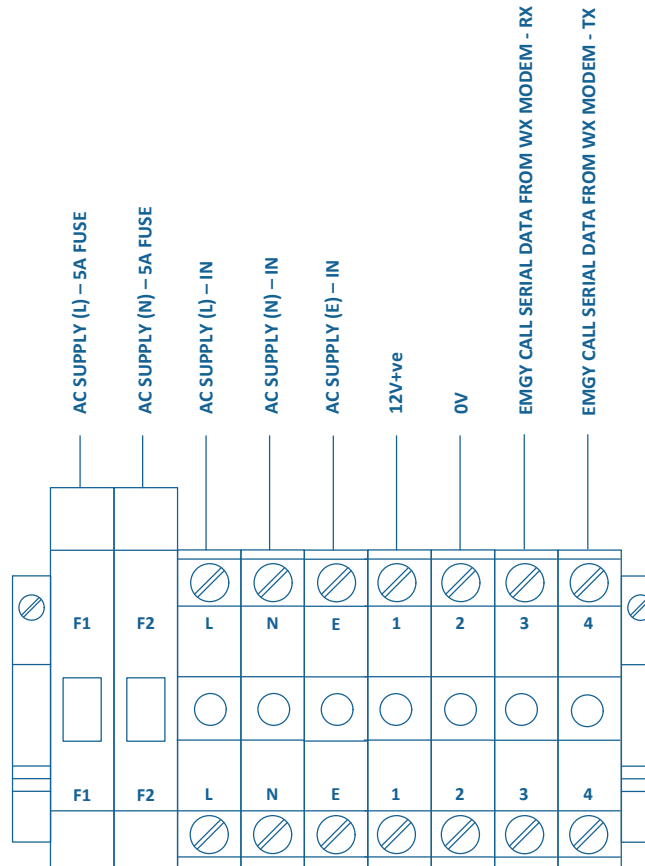
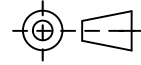
DWG No:  
DWG014

DATE:  
Feb-18

SHEET No:  
14 of 18

REVISION:  
A

DRAWN BY:  
SS



THESE DRAWINGS AND SPECIFICATIONS ARE THE PROPERTY OF C-VIGIL LTD AND SHALL NOT BE REPRODUCED, COPIED OR USED AS THE BASIS FOR THE MANUFACTURE OR SALE OF EQUIPMENT WITHOUT EXPLICIT WRITTEN PERMISSION

SCALE:  
NOT TO SCALE

VERSION:  
VER.1.0.1

TITLE:

ALARM PANEL TB-2

C-VIGIL Ltd : marine (CVM)

www.cvigil.co.uk | support@cvigil.co.uk | +44 (0)1244 879 279

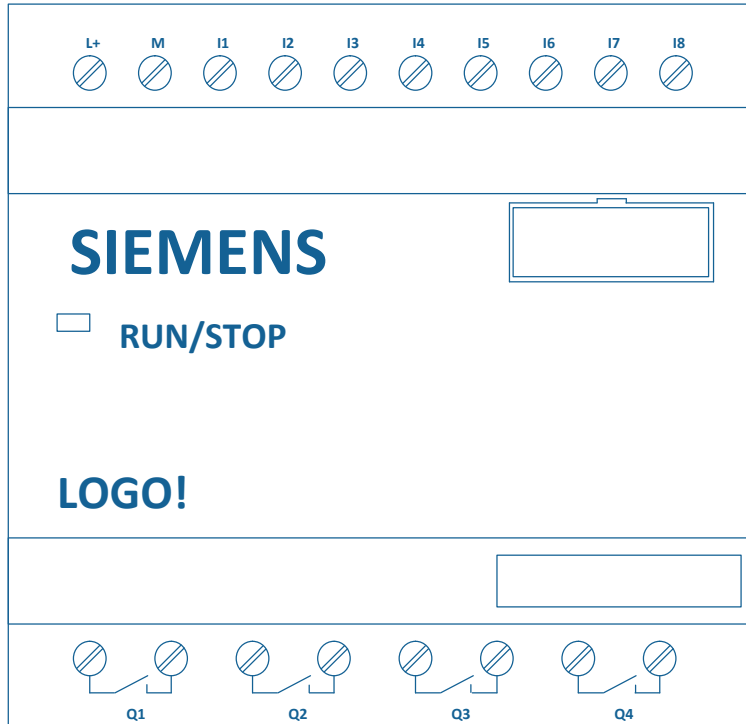
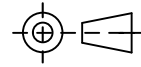
DWG No:  
DWG015

DATE:  
Feb-18

SHEET No:  
15 of 18

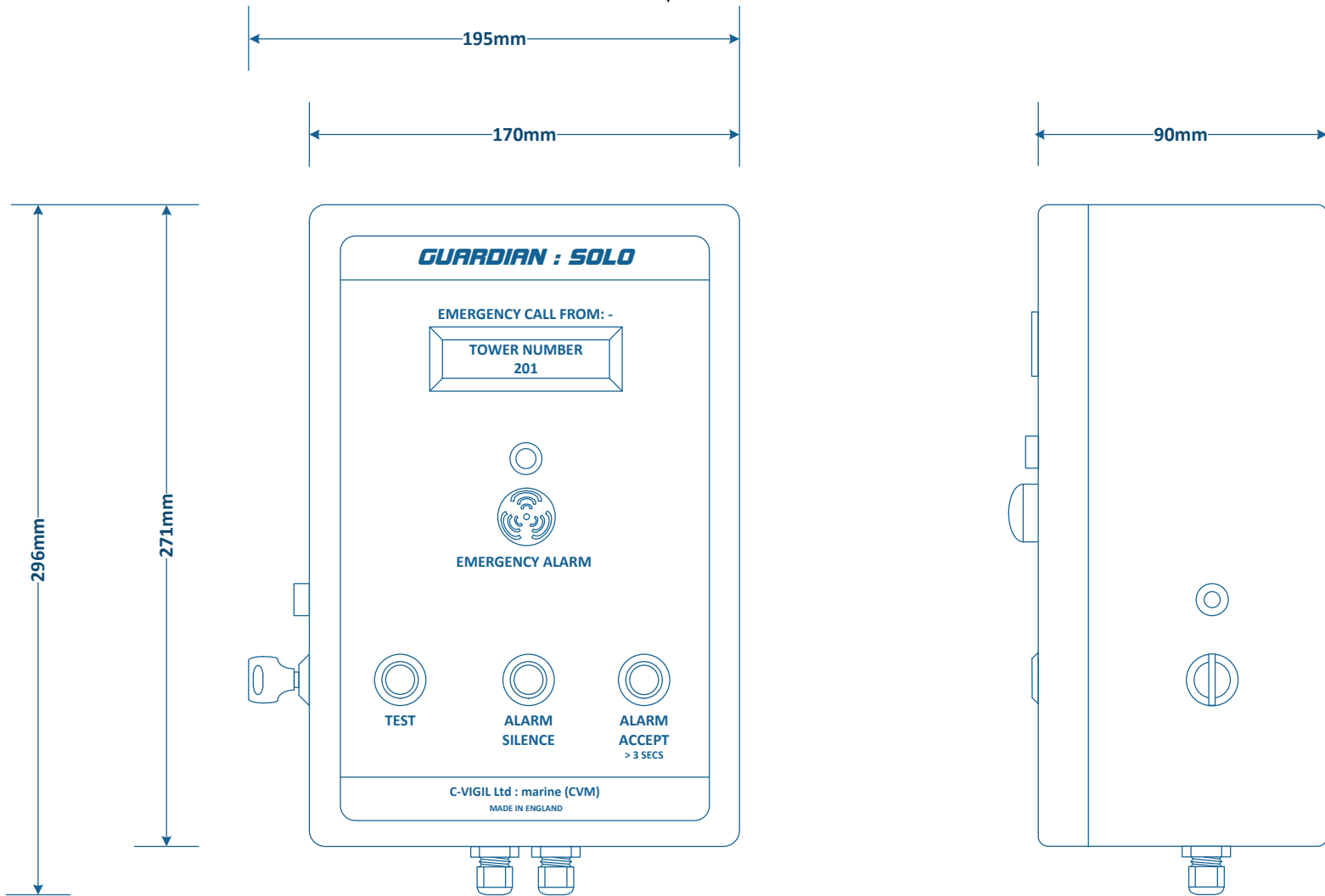
REVISION:  
A

DRAWN BY:  
SS



I/O TABLE	
MAIN PLC MODULE	
POWER SUPPLY	
L+	12V+ DC
M	0V
INPUTS	
i1	SWITCHED 12V+ EMGY CALL ALARM SOUNDER
i2	SWITCHED 12V+ ACCEPT EMGY CALL PB
i3	SWITCHED 12V+ SILENCE ALARM PB
i4	SWITCHED 12V+ TEST PB
i5	NO CONNECTION
i6	NO CONNECTION
i7	NO CONNECTION
i8	NO CONNECTION
OUTPUTS	
Q1	SWITCHED 12V+ EMGY CALL RECEIVED LED
Q2	SWITCHED 12V+ EMGY CALL RECEIVED SOUNDER
Q3	SWITCHED 5V+ ACCEPT EMGY CALL - LCD
Q4	SWITCHED 5V+ TEST DISPLAY - LCD





THESE DRAWINGS AND SPECIFICATIONS ARE THE PROPERTY OF C-VIGIL LTD AND SHALL NOT BE REPRODUCED, COPIED OR USED AS THE BASIS FOR THE MANUFACTURE OR SALE OF EQUIPMENT WITHOUT EXPLICIT WRITTEN PERMISSION

SCALE:  
NOT TO SCALE

VERSION:  
VER.1.0.1

TITLE:  
**SUPPORT VESSEL EMERGENCY CALL ALARM PANEL**

**C-VIGIL Ltd : marine (CVM)**  
www.cvigil.co.uk | support@cvigil.co.uk | +44 (0)1244 879 279

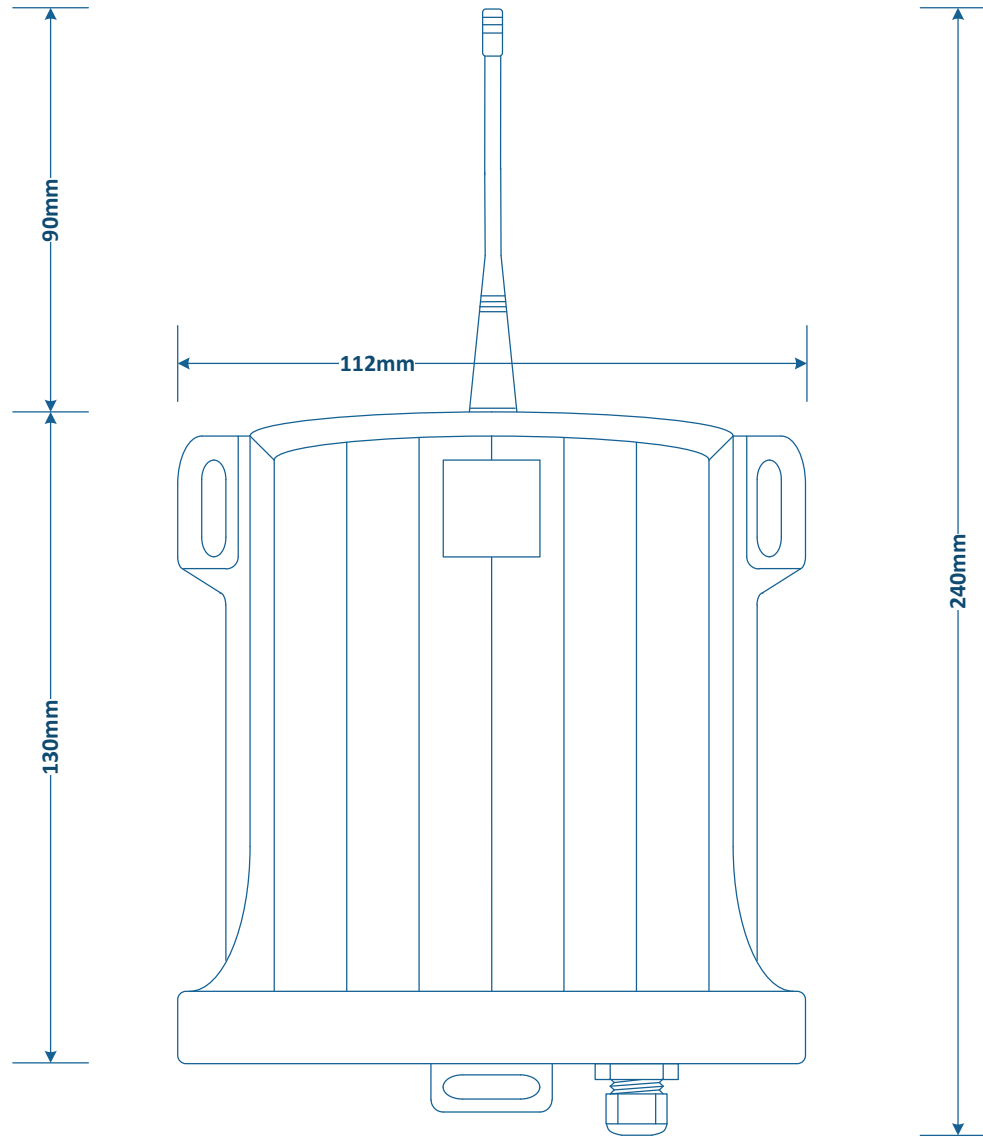
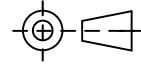
DWG No:  
DWG017

DATE:  
Feb-18

SHEET No:  
17 of 18

REVISION:  
A

DRAWN BY:  
SS



THESE DRAWINGS AND SPECIFICATIONS ARE THE PROPERTY OF C-VIGIL LTD AND SHALL NOT BE REPRODUCED, COPIED OR USED AS THE BASIS FOR THE MANUFACTURE OR SALE OF EQUIPMENT WITHOUT EXPLICIT WRITTEN PERMISSION

SCALE:  
NOT TO SCALE

VERSION:  
VER.1.0.1

TITLE:  
**EMERGENCY TRANSMISSION WX - RX MODEM**

**C-VIGIL Ltd : marine (CVM)**

www.cvigil.co.uk | support@cvigil.co.uk | +44 (0)1244 879 279

DWG No:  
DWG018

DATE:  
Feb-18

SHEET No:  
18 of 18

REVISION:  
A

DRAWN BY:  
SS