

GUARDIAN : SOLO
CATERING VERSION
TECHNICAL DRAWINGS & SCHEMATICS



THESE DRAWINGS AND SPECIFICATIONS ARE THE PROPERTY OF C-VIGIL LTD AND SHALL NOT BE REPRODUCED, COPIED OR USED AS THE BASIS FOR THE MANUFACTURE OR SALE OF EQUIPMENT WITHOUT EXPLICIT WRITTEN PERMISSION

SCALE:
NOT TO SCALE

VERSION:
VER.1.0.1

TITLE:

TYPICAL SYSTEM OVERVIEW

C-VIGIL Ltd : marine (CVM)

www.cvigil.co.uk | support@cvigil.co.uk | +44 (0)1244 879 279

DWG No:

DWG001

DATE:

Aug-18

SHEET No:

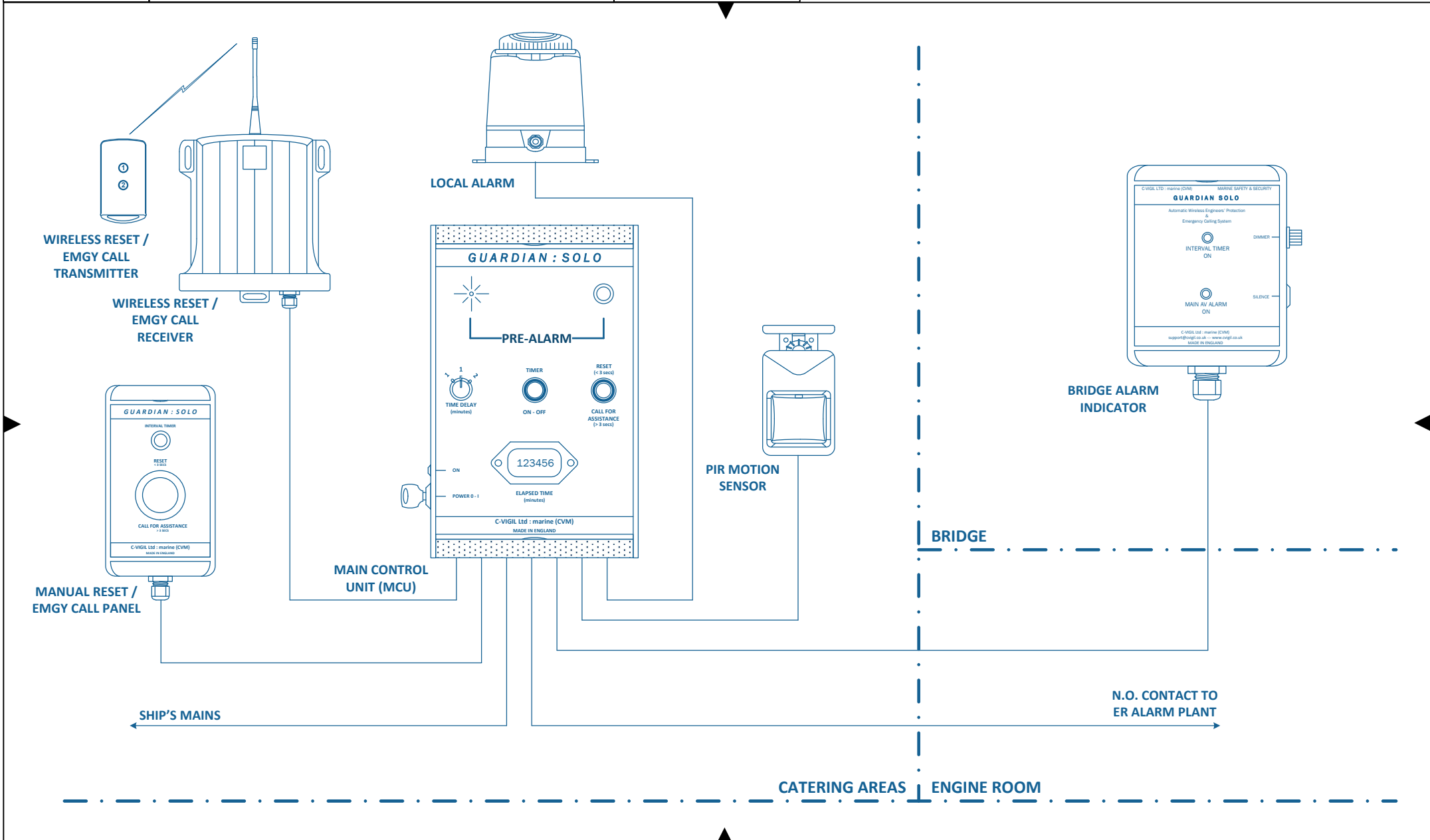
1 of 12

REVISION:

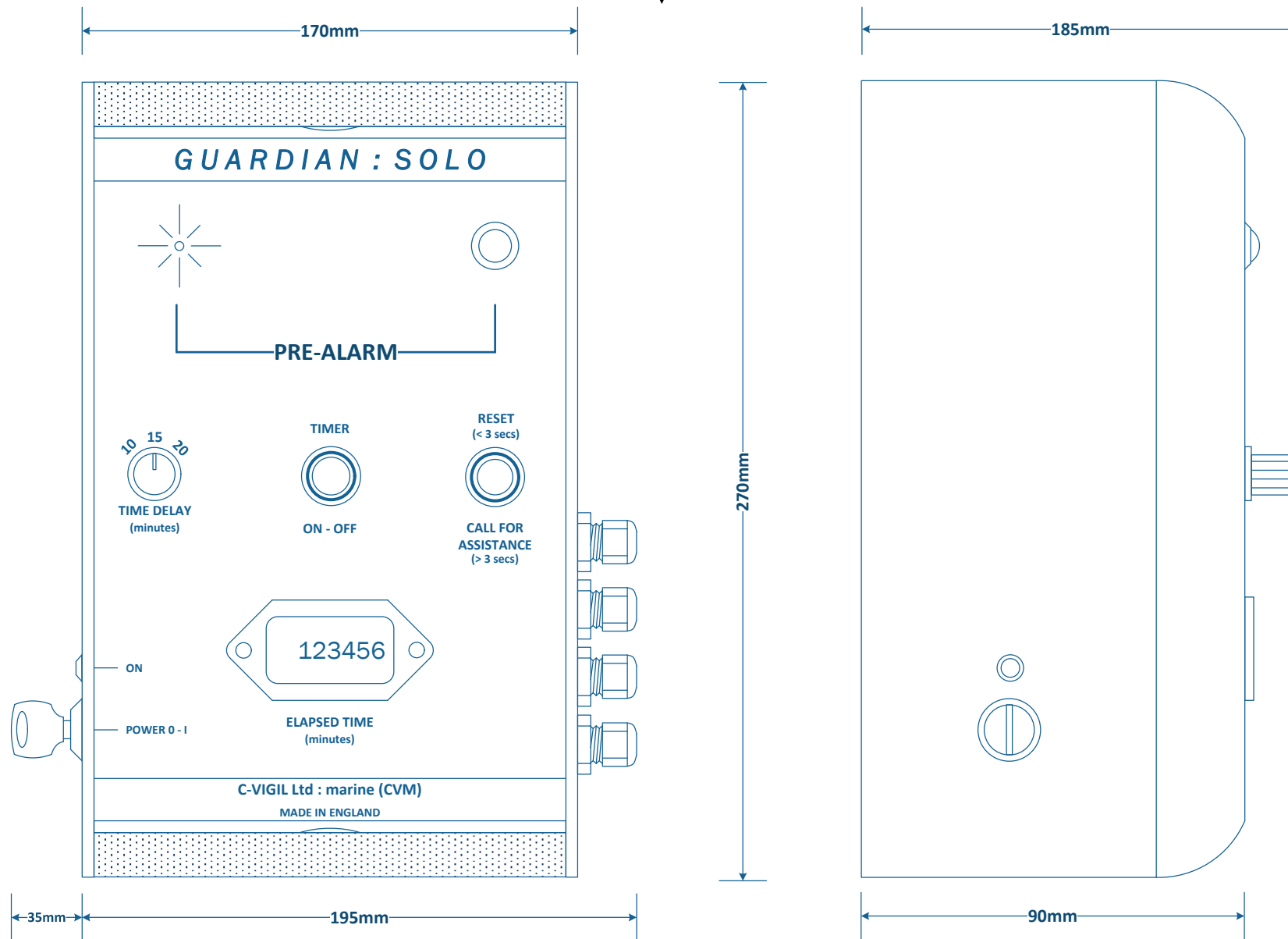
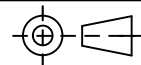
A

DRAWN BY:

SS



 C-VIGIL LTD marine GUARDIAN SYSTEMS	THESE DRAWINGS AND SPECIFICATIONS ARE THE PROPERTY OF C-VIGIL LTD AND SHALL NOT BE REPRODUCED, COPIED OR USED AS THE BASIS FOR THE MANUFACTURE OR SALE OF EQUIPMENT WITHOUT EXPLICIT WRITTEN PERMISSION	SCALE: NOT TO SCALE	TITLE: TYPICAL SYSTEM OVERVIEW	DWG No: DWG002	REVISION: A
		VERSION: VER.1.0.1	C-VIGIL Ltd : marine (CVM) www.cvigil.co.uk support@cvigil.co.uk +44 (0)1244 879 279	DATE: Aug-18	SHEET No: 2 of 12



THESE DRAWINGS AND SPECIFICATIONS ARE THE PROPERTY OF C-VIGIL LTD AND SHALL NOT BE REPRODUCED, COPIED OR USED AS THE BASIS FOR THE MANUFACTURE OR SALE OF EQUIPMENT WITHOUT EXPLICIT WRITTEN PERMISSION

SCALE:
NOT TO SCALE

VERSION:
VER.1.0.1

TITLE:

MAIN CONTROL UNIT (MCU)

C-VIGIL Ltd : marine (CVM)

www.cvigil.co.uk | support@cvigil.co.uk | +44 (0)1244 879 279

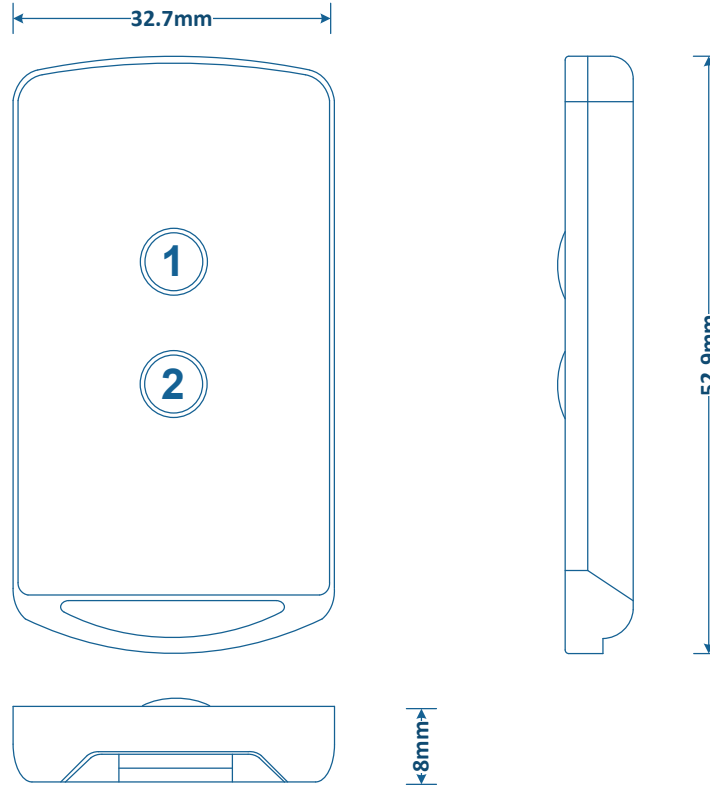
DWG No:
DWG003

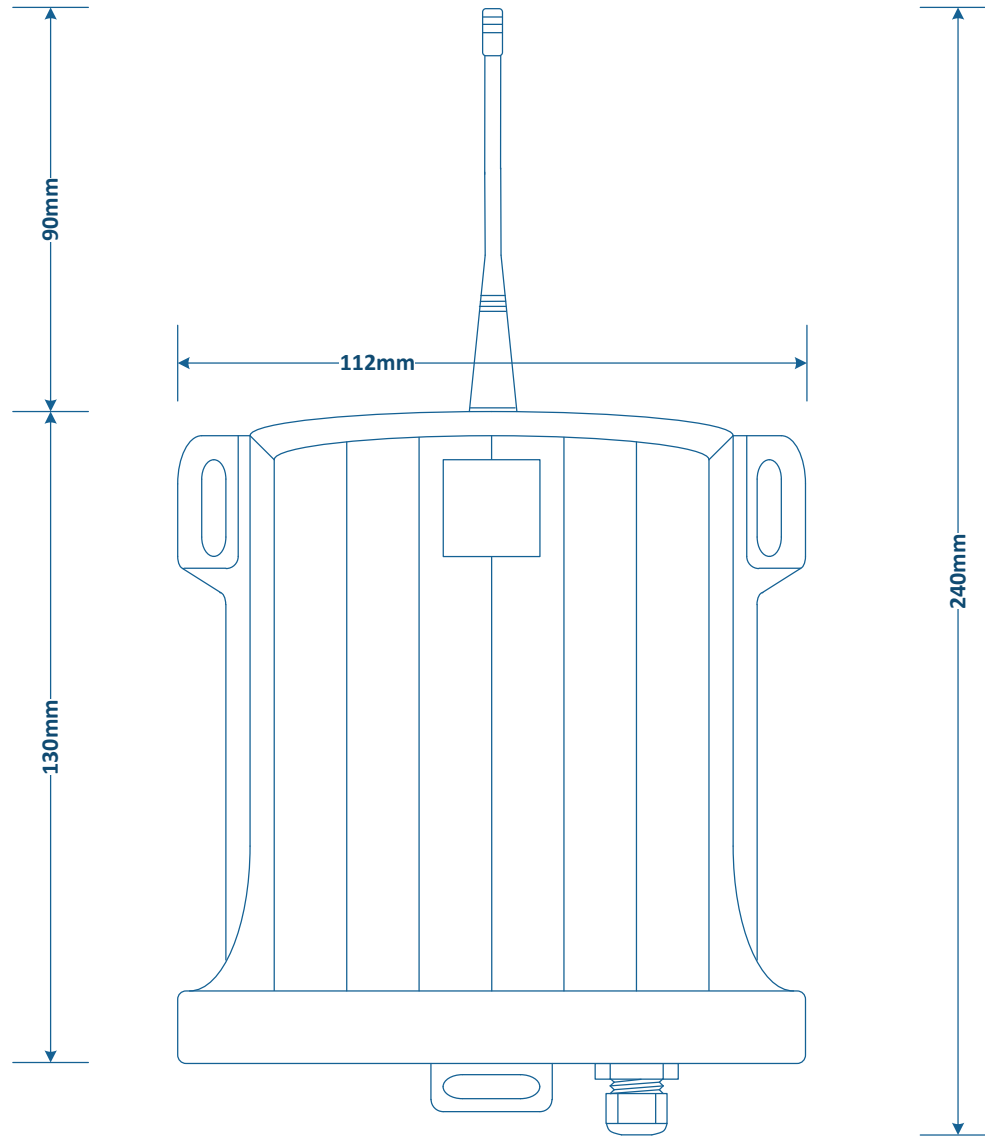
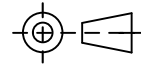
DATE:
Aug-18

SHEET No:
3 of 12

REVISION:
A

DRAWN BY:
SS





THESE DRAWINGS AND SPECIFICATIONS ARE THE PROPERTY OF C-VIGIL LTD AND SHALL NOT BE REPRODUCED, COPIED OR USED AS THE BASIS FOR THE MANUFACTURE OR SALE OF EQUIPMENT WITHOUT EXPLICIT WRITTEN PERMISSION

SCALE:
NOT TO SCALE

VERSION:
VER.1.0.1

TITLE:

WIRELESS RESET/EMGY CALL RECEIVER

C-VIGIL Ltd : marine (CVM)

www.cvigil.co.uk | support@cvigil.co.uk | +44 (0)1244 879 279

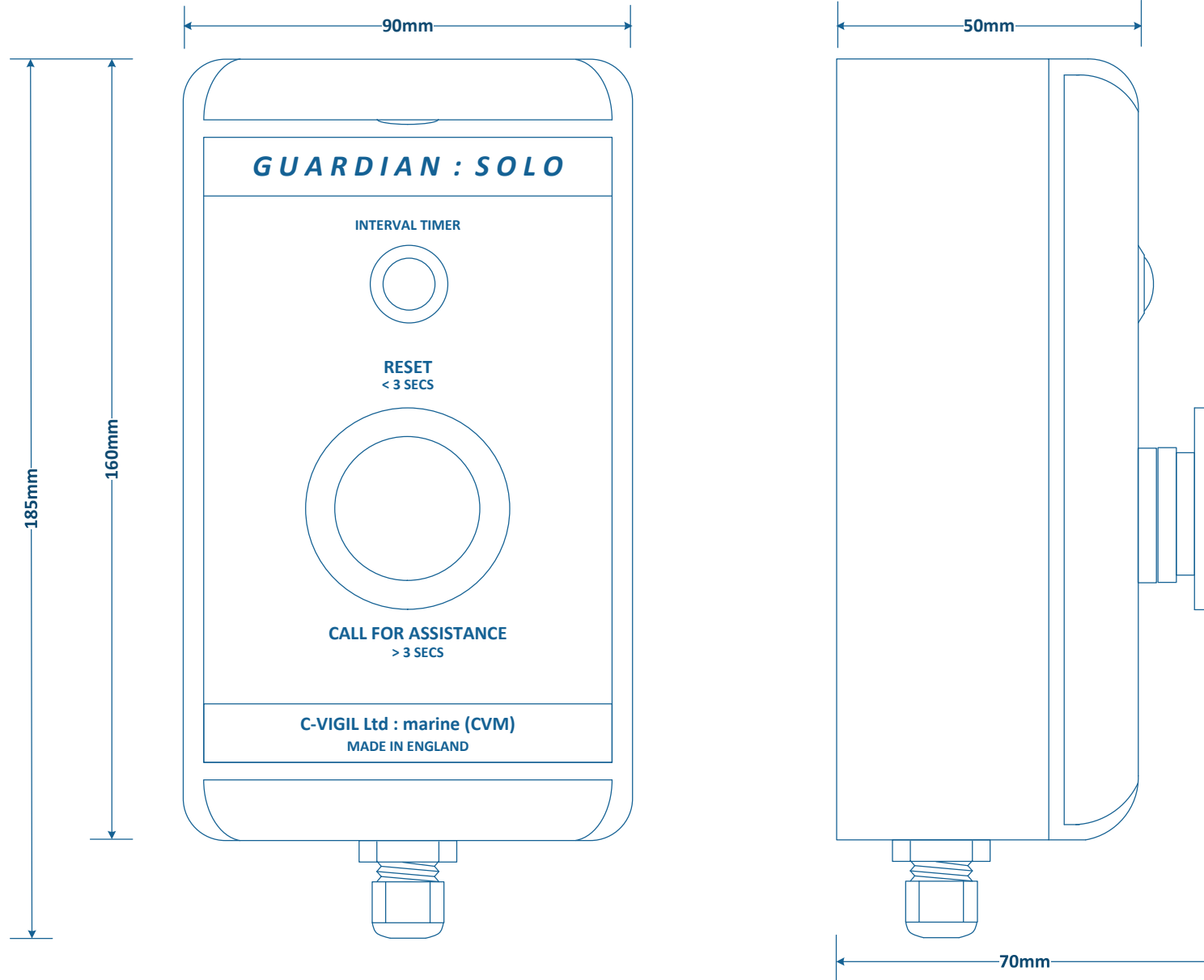
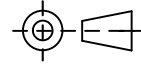
DWG No:
DWG005

DATE:
Aug-18

SHEET No:
5 of 12

REVISION:
A

DRAWN BY:
SS



THESE DRAWINGS AND SPECIFICATIONS ARE THE PROPERTY OF C-VIGIL LTD AND SHALL NOT BE REPRODUCED, COPIED OR USED AS THE BASIS FOR THE MANUFACTURE OR SALE OF EQUIPMENT WITHOUT EXPLICIT WRITTEN PERMISSION

SCALE:
NOT TO SCALE

VERSION:
VER.1.0.1

TITLE:

MANUAL RESET/EMGY CALL PANEL

C-VIGIL Ltd : marine (CVM)

www.cvigil.co.uk | support@cvigil.co.uk | +44 (0)1244 879 279

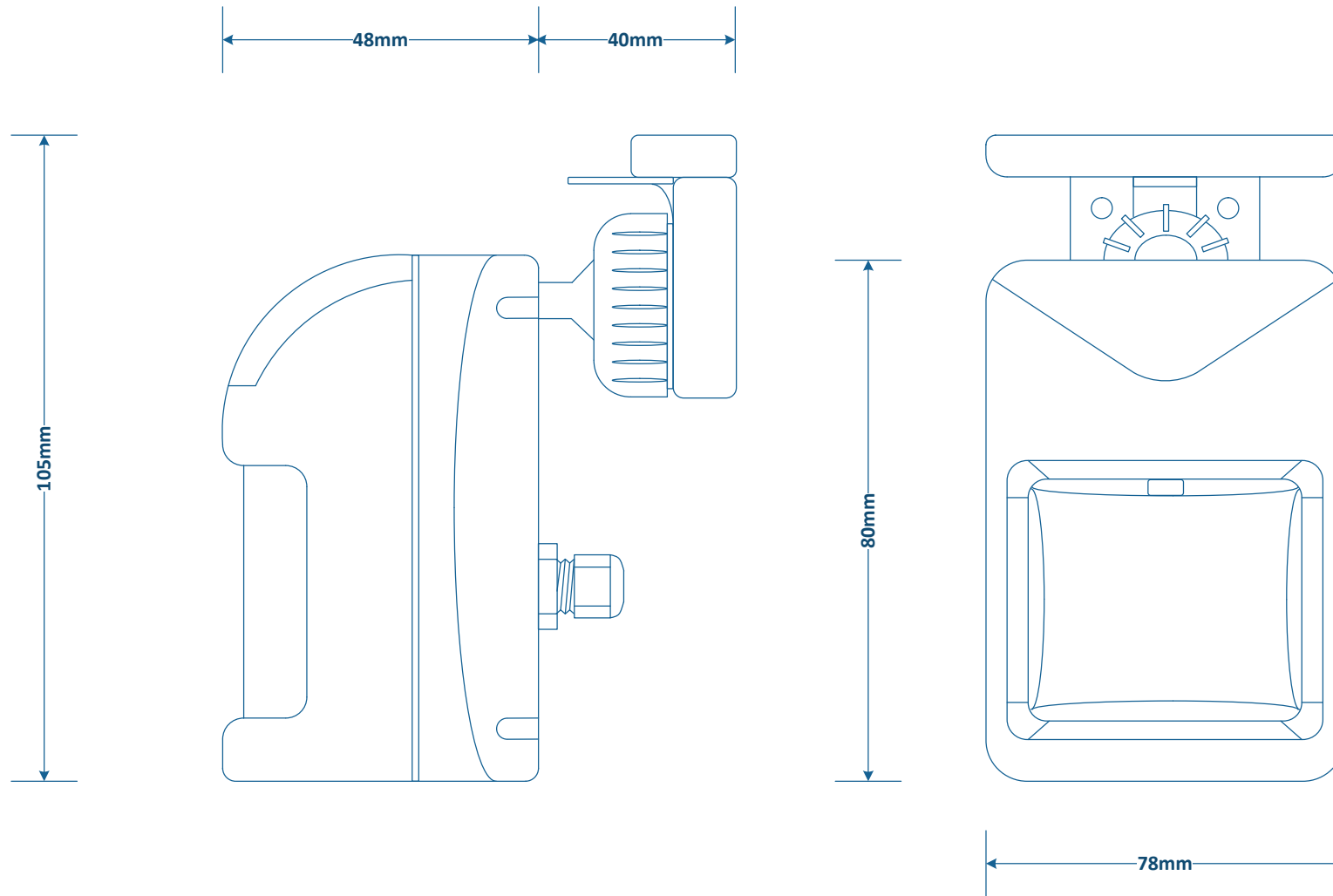
DWG No:
DWG006

DATE:
Aug-18

SHEET No:
6 of 12

REVISION:
A

DRAWN BY:
SS



THESE DRAWINGS AND SPECIFICATIONS ARE THE PROPERTY OF C-VIGIL LTD AND SHALL NOT BE REPRODUCED, COPIED OR USED AS THE BASIS FOR THE MANUFACTURE OR SALE OF EQUIPMENT WITHOUT EXPLICIT WRITTEN PERMISSION

SCALE:
NOT TO SCALE

VERSION:
VER.1.0.1

TITLE:
PIR MOTION DETECTOR

C-VIGIL Ltd : marine (CVM)
www.cvigil.co.uk | support@cvigil.co.uk | +44 (0)1244 879 279

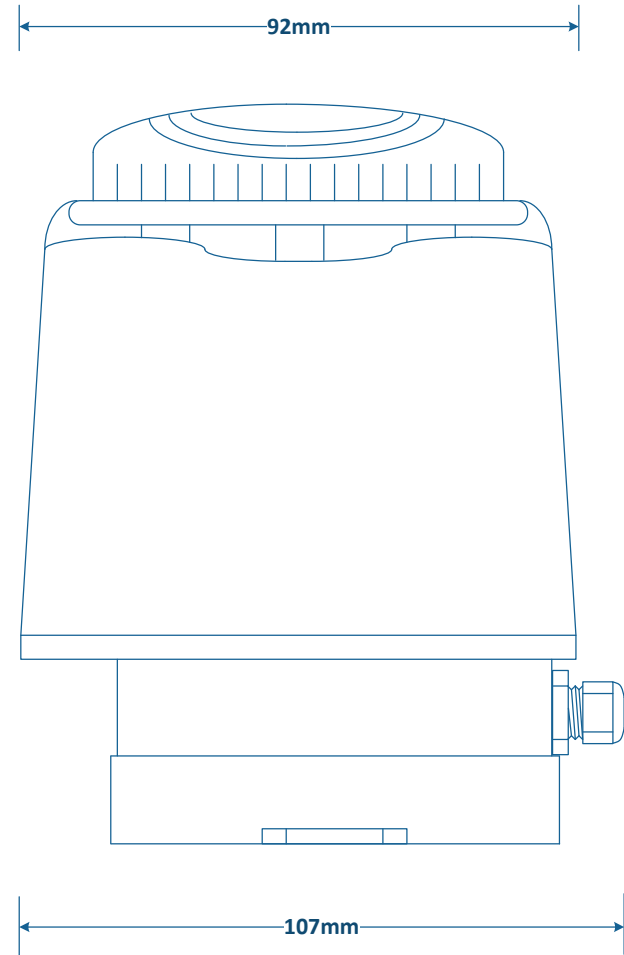
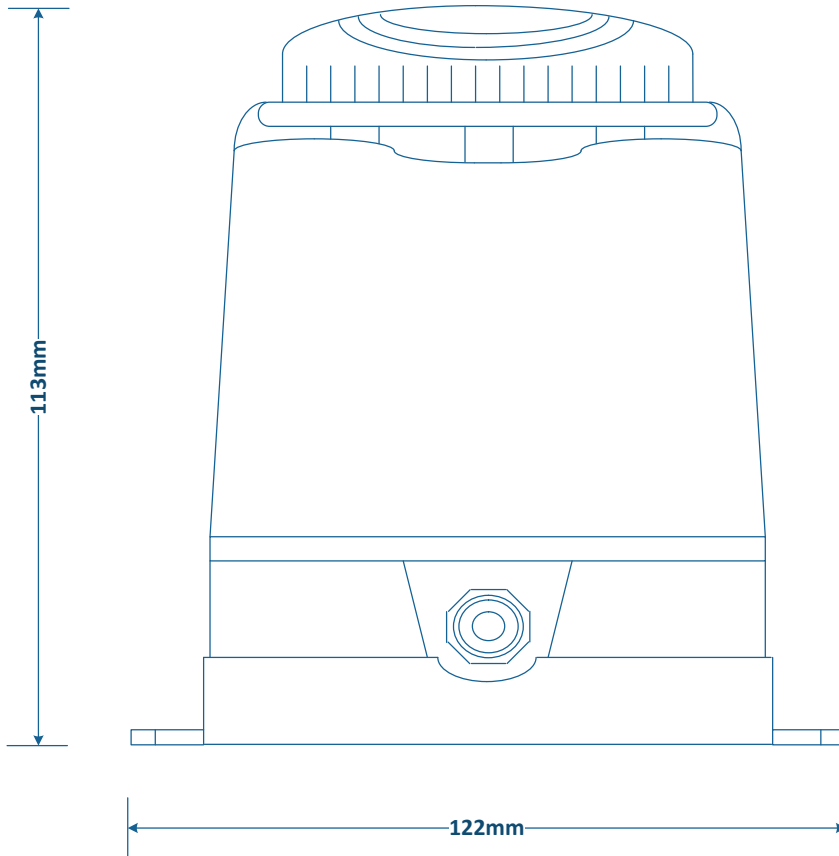
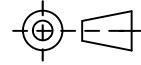
DWG No:
DWG007

DATE:
Aug-18

SHEET No:
7 of 12

REVISION:
A

DRAWN BY:
SS



THESE DRAWINGS AND SPECIFICATIONS ARE THE PROPERTY OF C-VIGIL LTD AND SHALL NOT BE REPRODUCED, COPIED OR USED AS THE BASIS FOR THE MANUFACTURE OR SALE OF EQUIPMENT WITHOUT EXPLICIT WRITTEN PERMISSION

SCALE:
NOT TO SCALE

VERSION:
VER.1.0.1

TITLE:

LOCAL ALARM SOUNDER/BEACON

C-VIGIL Ltd : marine (CVM)

www.cvigil.co.uk | support@cvigil.co.uk | +44 (0)1244 879 279

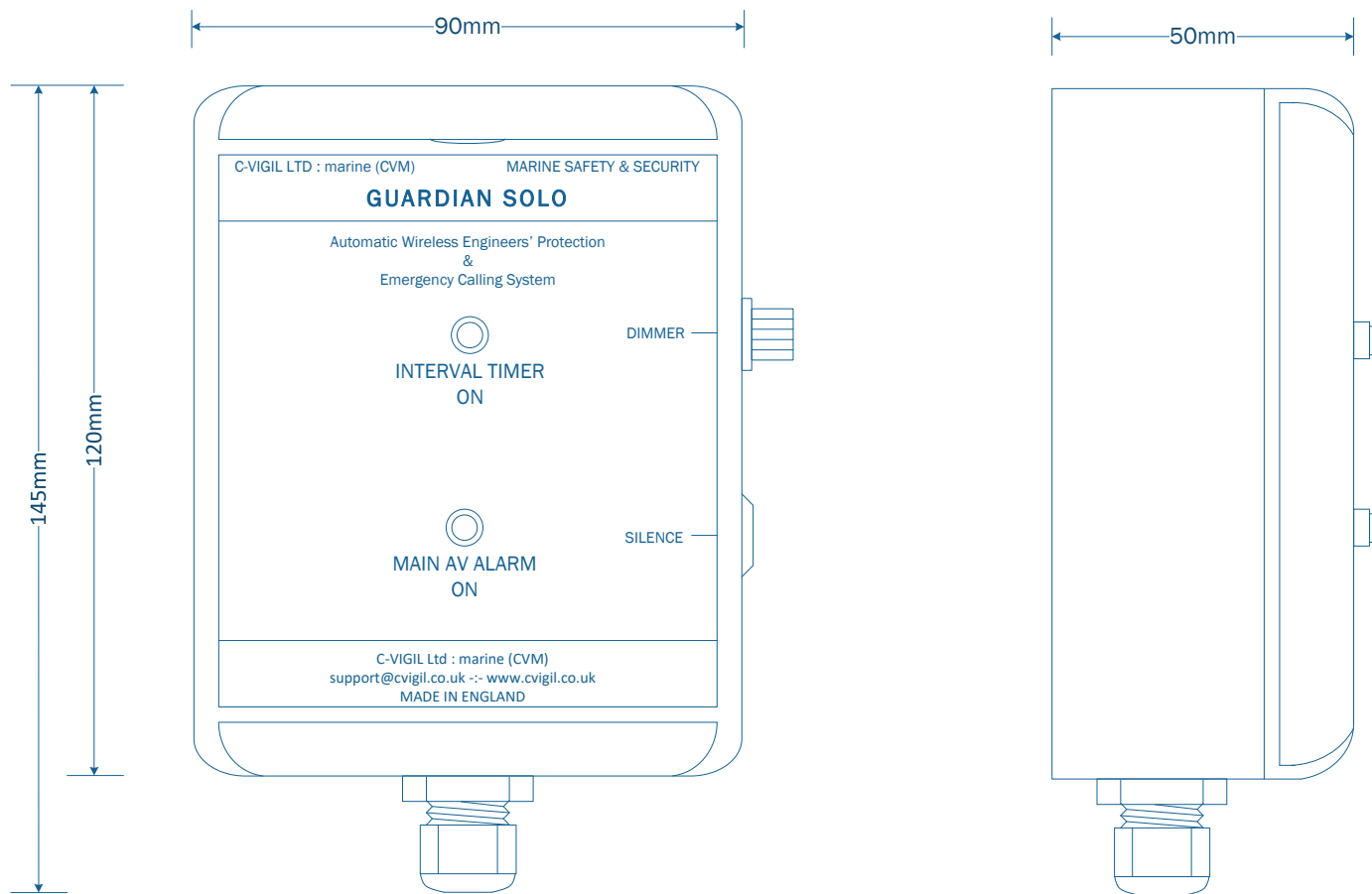
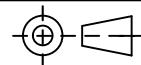
DWG No:
DWG008

DATE:
Aug-18

SHEET No:
8 of 12

REVISION:
A

DRAWN BY:
SS



THESE DRAWINGS AND SPECIFICATIONS ARE THE PROPERTY OF C-VIGIL LTD AND SHALL NOT BE REPRODUCED, COPIED OR USED AS THE BASIS FOR THE MANUFACTURE OR SALE OF EQUIPMENT WITHOUT EXPLICIT WRITTEN PERMISSION

SCALE:
NOT TO SCALE

VERSION:
VER.1.0.1

TITLE:

BRIDGE ALARM / INDICATOR PANEL

C-VIGIL Ltd : marine (CVM)

www.cvigil.co.uk | support@cvigil.co.uk | +44 (0)1244 879 279

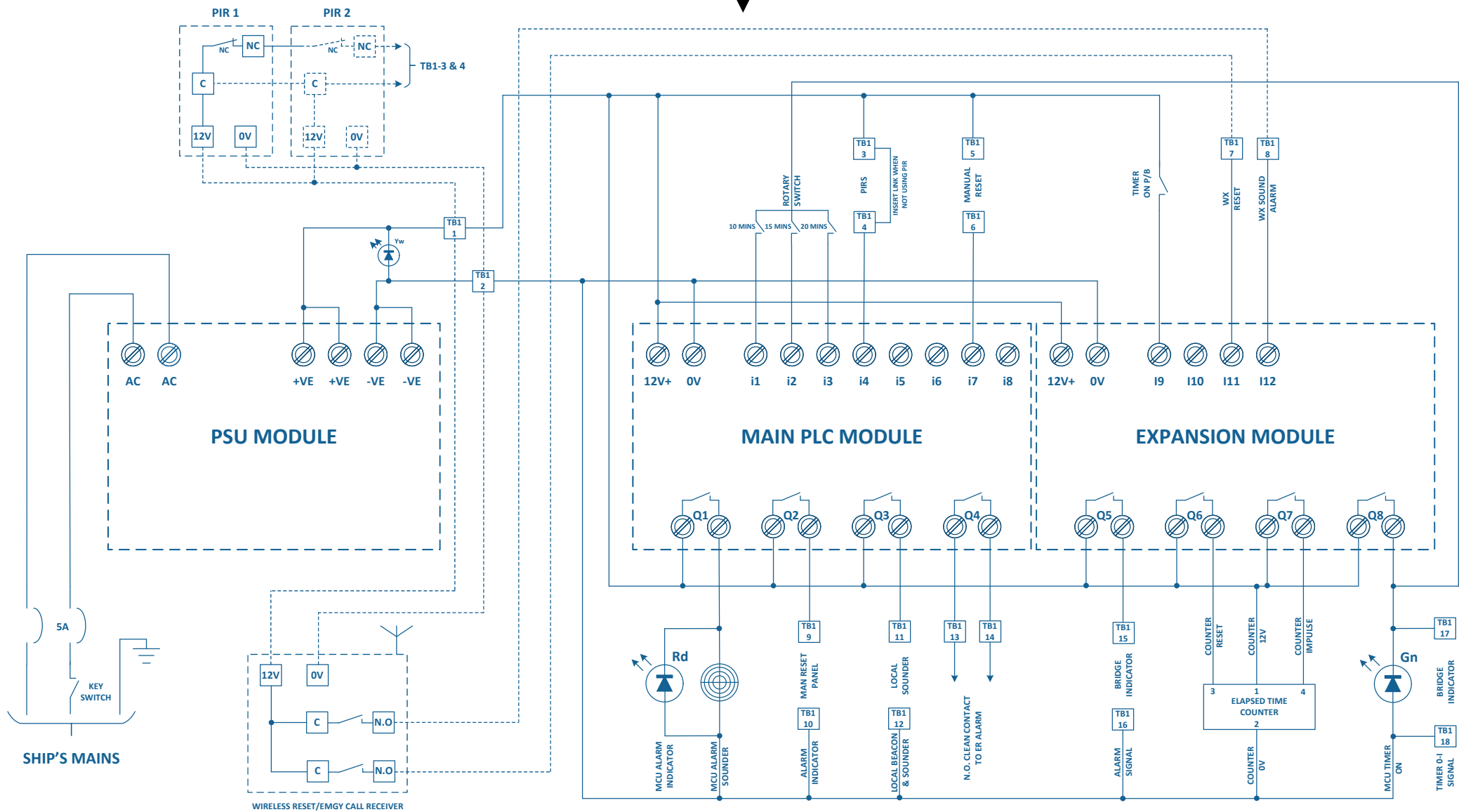
DWG No:
DWG009

DATE:
Aug-18

SHEET No:
9 of 12

REVISION:
A

DRAWN BY:
SS



THESE DRAWINGS AND SPECIFICATIONS ARE THE PROPERTY OF C-VIGIL LTD AND SHALL NOT BE REPRODUCED, COPIED OR USED AS THE BASIS FOR THE MANUFACTURE OR SALE OF EQUIPMENT WITHOUT EXPLICIT WRITTEN PERMISSION

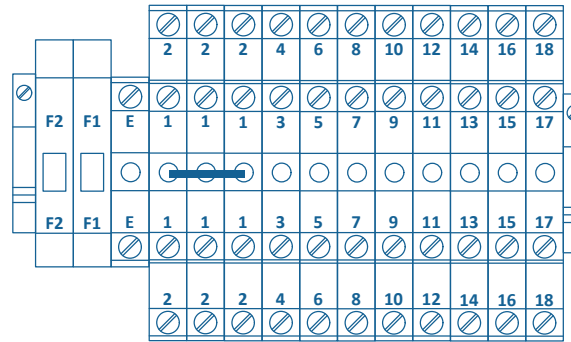
SCALE:
NOT TO SCALE

VERSION:
VER.1.0.1

TITLE:
SYSTEM MCU WIRING

C-VIGIL Ltd : marine (CVM)
www.cvigil.co.uk | support@cvigil.co.uk | +44 (0)1244 879 279

DWG No: DWG010	REVISION: A
DATE: Aug-18	SHEET No: 10 of 12
DRAWN BY: SS	



F1		Ship's Mains – 100-250V AC 50/60Hz
F2		
Earth		
UPPER	LOWER	
1		12V+ve
1		12V+ve
1		12V+ve
	2	0V
	2	0V
	2	0V
3		12V+ to PIR(s)
	4	Switched 12V+ Reset from PIR(s)
5		12V+ to Manual Reset/Emgy Call PB Panel
	6	Switched 12V+ Reset from Manual Reset/Emgy Call Panel
7		Switched 12V+ Reset from Wx Rx
	8	Switched 12V+ Sound Alarm from Wx Rx
9		12V+ to Manual Reset PB LED Indicator
	10	0V to Manual Reset PB LED Indicator
11		Switched 12V+ to Local Sounder/Beacon
	12	0V to Local Sounder/Beacon
13		Clean Contact (Com) to ER Alarm
	14	Clean Contact (NO) to ER Alarm
15		Switched 12V+ to Bridge Indicator Panel – Alarm Signal
	16	0V to Bridge Indicator Panel – Alarm Signal
17		Switched 12V+ to Bridge Indicator Panel – Interval Timer On
	18	0V to Bridge Indicator Panel – Interval Timer On



THESE DRAWINGS AND SPECIFICATIONS ARE THE PROPERTY OF C-VIGIL LTD AND SHALL NOT BE REPRODUCED, COPIED OR USED AS THE BASIS FOR THE MANUFACTURE OR SALE OF EQUIPMENT WITHOUT EXPLICIT WRITTEN PERMISSION

SCALE:
NOT TO SCALE

VERSION:
VER.1.0.1

TITLE:

TB-1

C-VIGIL Ltd : marine (CVM)

www.cvigil.co.uk | support@cvigil.co.uk | +44 (0)1244 879 279

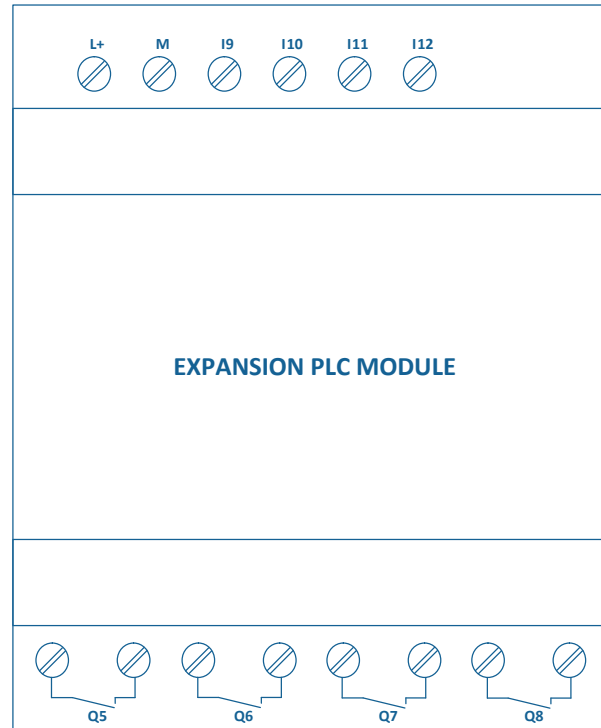
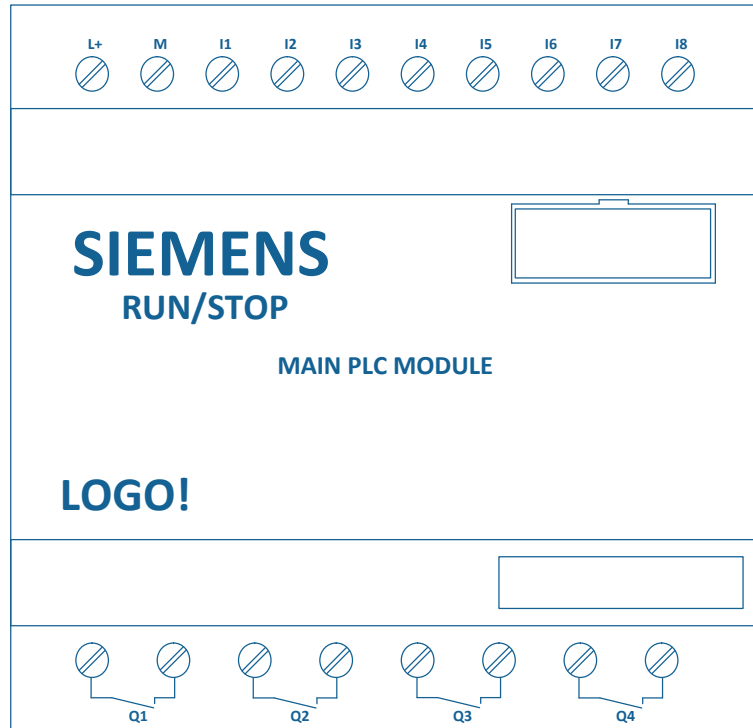
DWG No:
DWG011

DATE:
Aug-18

SHEET No:
11 of 12

REVISION:
A

DRAWN BY:
SS



I/O TABLE	
MAIN PLC MODULE	
POWER SUPPLY	
L+	12V+ DC
M	0V
INPUTS	
i1	SWITCHED 12V+ FROM RORATY SWITCH – 10MINS
i2	SWITCHED 12V+ FROM ROTARY SWITCH – 15 MINS
i3	SWITCHED 12V+ FROM ROTARY SWITCH – 20 MINS
i4	SWITCHED 12V+ RESET FROM PIR(S)
i5	NO CONNECTION
i6	NO CONNECTION
i7	SWITHED 12V+ FROM MANUAL RESET PB PANEL
i8	NO CONNECTION
OUTPUTS	
Q1	SWITCHED 12V+ TO MCU ALARM INDICATORS
Q2	SWITCHED 12V+ TO MANUAL RESET PANEL LED
Q3	SWITCHED 12V+ TO LOCAL SOUNDER/BEACON
Q4	CLEAN NO CONTACTS TO ER ALARM
EXPANSION PLC MODULE	
POWER SUPPLY	
L+	12V+ DC
M	0V
INPUTS	
I9	SWITCHED 12V+ FROM TIMER ON MCU PB
I10	NO CONNECTION
I11	SWITCHED 12V+ FROM WX RX - RESET
I12	SWITCHED 12V+ FROM WX RX – SOUND ALARM
OUTPUTS	
Q5	SWITCHED 12V+ TO BRIDGE IND - ALARM
Q6	SWITCHED 12V+ TO MCU COUNTER - RESET
Q7	SWITCHED 12V+ TO MCU COUNTER - IMPULSE
Q8	SWITCHED 12V+ TO BRIDGE IND – TIMER ON